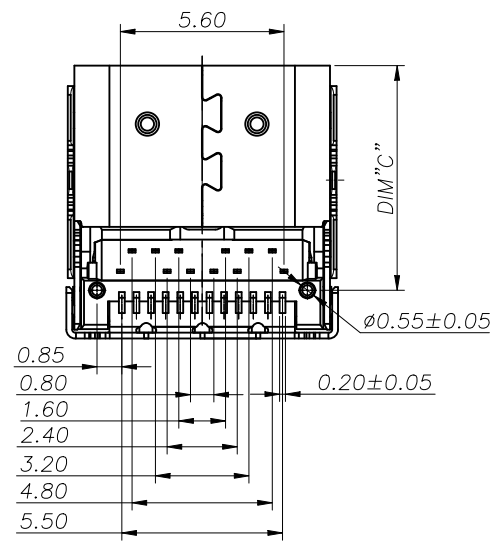
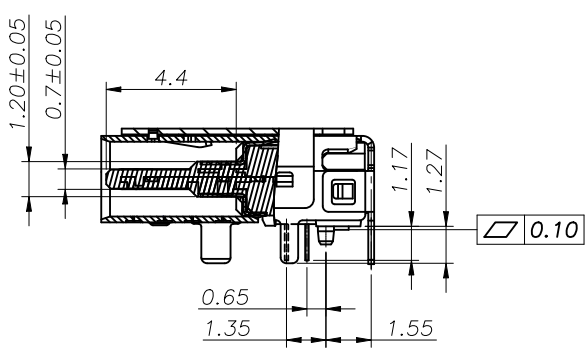
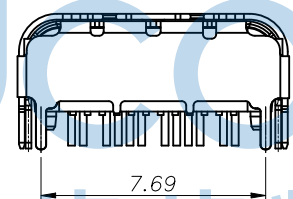
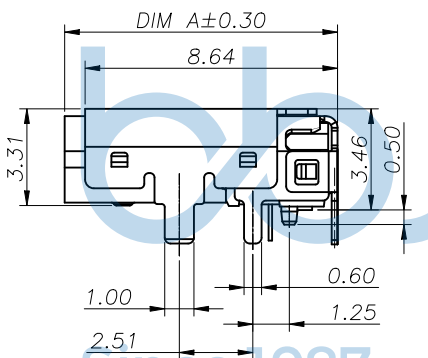
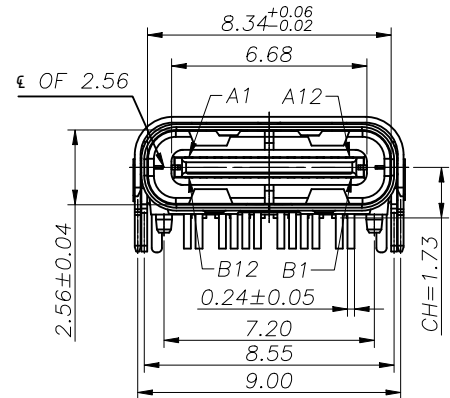
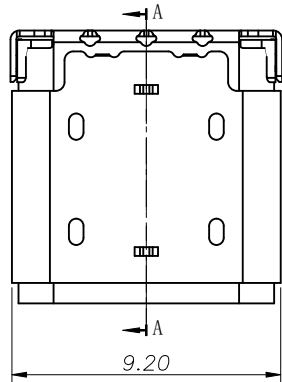
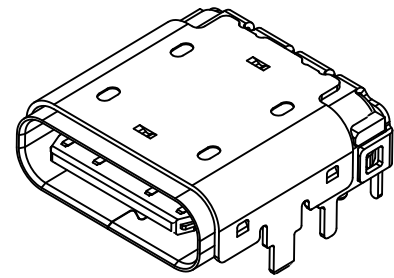


REV.	ECN NO.	CONTENT	DATE	ENGINEER
A0		Initial Release	/	ZY

NOTE:

- MATERIAL SPECIFICATION:
 - HOUSING: PA9T COLOR SEE TABLE 1, UL94 V-0.
 - CONTACTS: COPPER ALLOY C18150
 - MID PLATE & SPRING: STAINLESS STEEL (SUS301)
 - FRONT SHELL & COVER: STAINLESS STEEL (SUS304)
- PLATING SPECIFICATION:
 - CONTACTS:
 - Ni 50u" MIN. UNDER PLATED OVER ALL.
 - Au PLATED ON THE FUNCTIONAL AREA OF CONTACT.
 - FRONT SHELL & COVER:
 - Ni 30u" MIN. UNDER PLATED OVER ALL.
 - MID PLATE & EMI SPRING:
 - CLEAR ONLY
- MECHANICAL PERFORMANCE,
 - INSERTION FORCE: 0.5~2.0kgf.
 - REMOVAL FORCE: 0.8kgf~2.0kgf.
 - DURABILITY: 10000 CYCLES.
- ELECTRICAL PERFORMANCE,
 - CURRENT RATING: 3.0A
VOLTAGE RATING: 5.0V
 - LLCR:
 - VBUS & GND PINS AND OTHER PINS: 40m?/PIN MAX.
 - SHIELD: 50m?/MAX.
 - LLCR MAX. CHANGE OF ALL PINS: 10m?.
 - INSULATION RESISTANCE: 100M? MIN
 - DIELECTRIC WITHSTAND VOLTAGE, AC 100V FOR 1 MINUTE.
- ENVIRONMENTAL PERFORMANCE:
 - OPERATING TEMPERATURE: -25°C~+85°C.
- IR REFLOW:
 - THE PEAK TEMPERATURE ON THE BOARD SHALL BE MAINTAINED FOR 10 SECONDS AT 260°C.

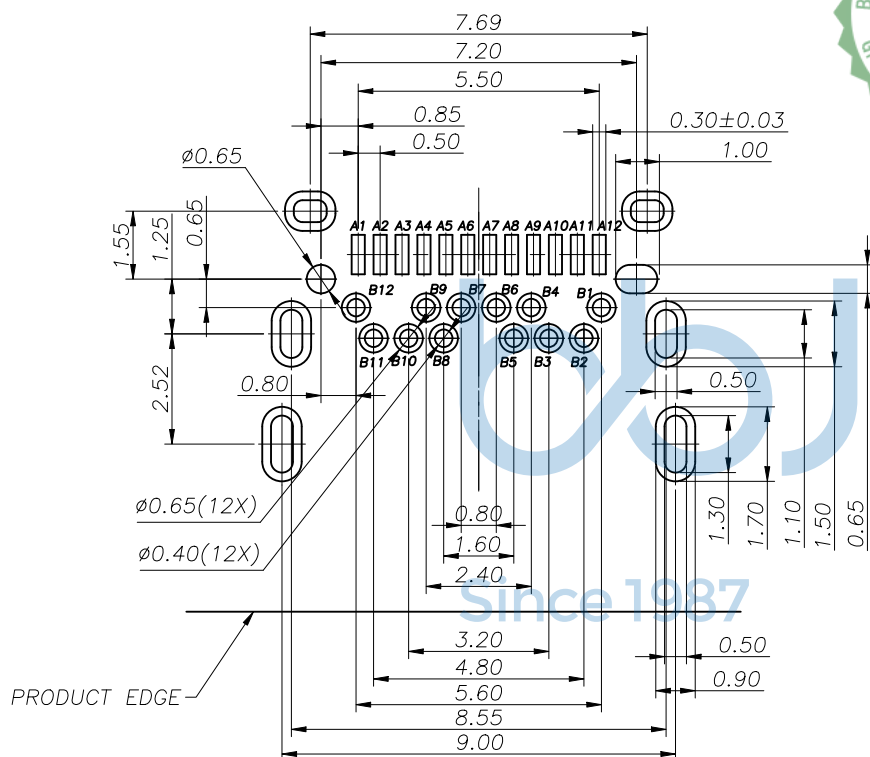


THIS DOCUMENT IS THE SOLE PROPERTY OF BB Jconn Technology Co., Ltd. Corporation AND SHOULD NOT BE USED IN WHOLE OR IN PART WITHOUT PRIOR WRITTEN PERMISSION.		深圳市步步精科技有限公司	
PDWG NO: 0049-1	DR: ZY	NAME: TYPE-C 24P 母座 L=9.34 CH=1.73 六脚插带柱 端子DIP+SMT 外壳无缺口 前插后贴 APPD: JM_Zheng CHKD: LYX	PJ. NO.: UC.01.52-12-0008 SIZE: A4 DRW NO.: FINISH: SEE NOTES MAT'L.: SEE NOTES SCALE: N/A REV.: A0 UNIT: mm PAGE: 1/3



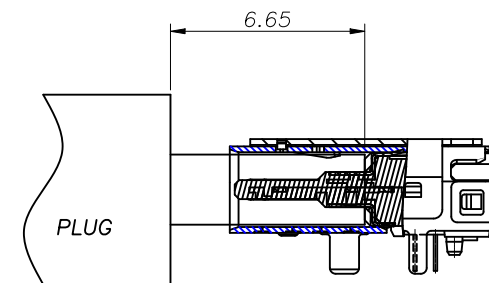
USB TYPE-C PIN ASSIGNMENTS

PIN NUMBER	SIGNAL NAME	PIN NUMBER	SIGNAL NAME
A1	GND	B12	GND
A2	SSTXp1	B11	SSRXp1
A3	SSTXn1	B10	SSRXn1
A4	VBUS	B9	Vbus
A5	CC1	B8	SBU2
A6	Dp1	B7	Dn2
A7	Dn1	B6	Dp2
A8	SBU1	B5	CC2
A9	Vbus	B4	Vbus
A10	SSRXn2	B3	SSTXn2
A11	SSRXp2	B2	SSTXp2
A12	GND	B1	GND



SCALE 1.5:1

RECOMMENDED PCB LAYOUT(TOP VIEW)
THICKNESS 1.0 MM;DEFAULT TOLERANCE:±0.05



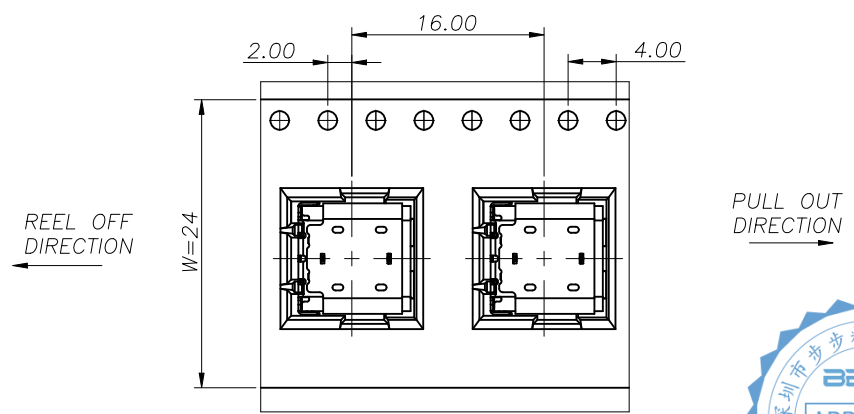
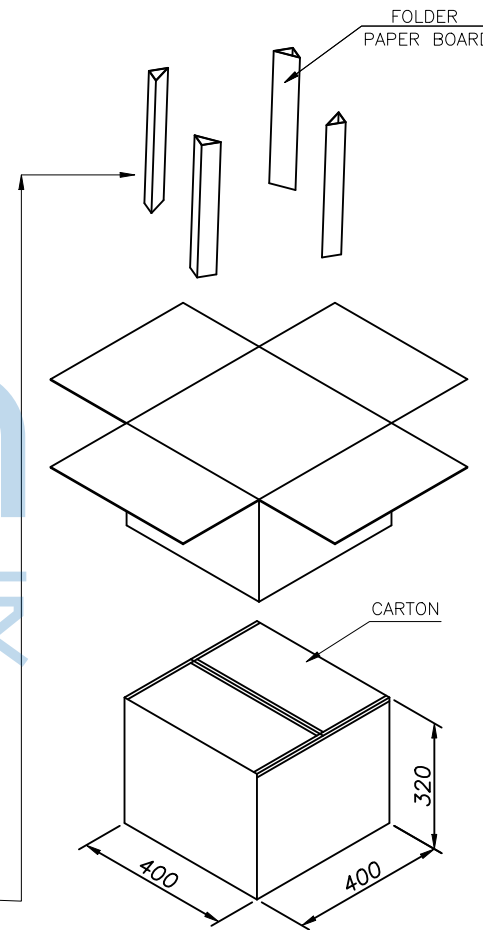
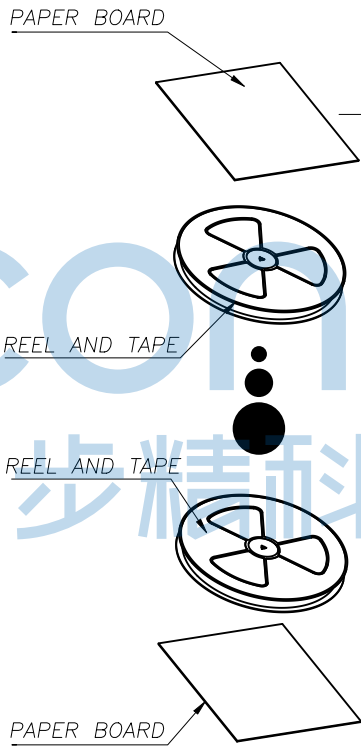
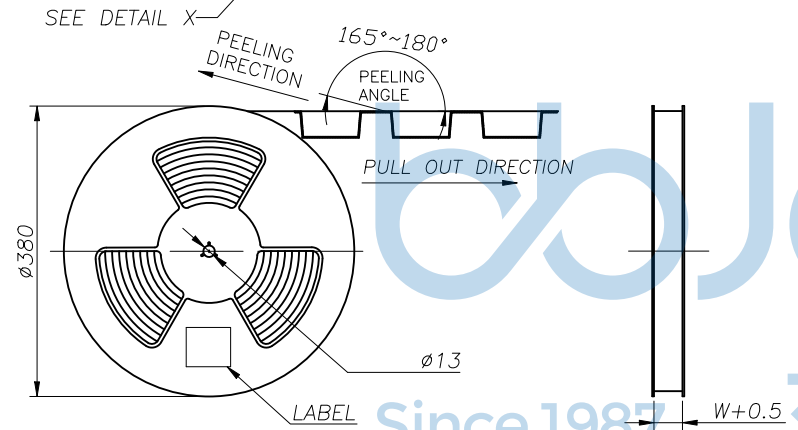
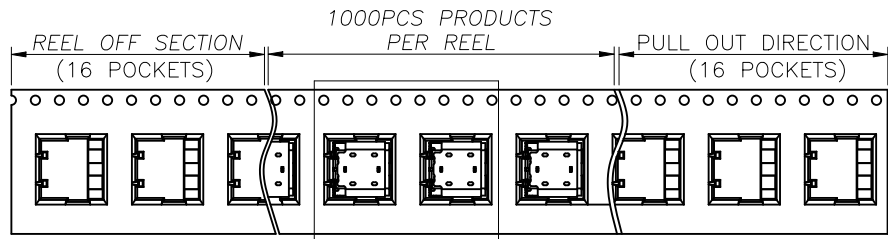
AFTER MATING

TABLE 1

ITEM	DIM"A"	DIM"C"	PLATING		HOUSING CLOER
			MATING AREA	SOLDER AREA	
1	9.34	7.69	Au:3u"	Au:G/F	BALCK
2	9.34	7.69	Au:30u"		
3	9.10	7.45	Au:3u"		

THIS DOCUMENT IS THE SOLE PROPERTY OF BBJconn Technology Co.,Ltd. Corporation AND SHOULD NOT BE USED IN WHOLE OR IN PART WITHOUT PRIOR WRITTEN PERMISSION.		深圳市步步精科技有限公司 .X: ±0.38 .XX: ±0.25 .XXX: ±0.13 X': ±3" X'': ±2" X'': ±1"		NAME:TYPE-C 24P 母座 L=9.34 CH=1.73 六脚插 带柱 端子DIP+SMT 外壳无缺口 前插后贴	
APPD.	JM_Zheng	PJ. NO.: UC.01.52-12-0008 SIZE: A4 DRW NO.:		FINISH: SEE NOTES MAT'L.: SEE NOTES	
CHKD.	LYX	SCALE: N/A		REV.: A0	UNIT: mm
PDWG.NO:	0049-1	DR.	ZY		PAGE: 2/3

REV.	ECN NO.	CONTENT	DATE	ENGINEER
A0		Initial Release	/	ZY



DETAIL X
SCALE 2:1



THIS DOCUMENT IS THE SOLE PROPERTY OF BBJconn Technology Co., Ltd. Corporation AND SHOULD NOT BE USED IN WHOLE OR IN PART WITHOUT PRIOR WRITTEN PERMISSION.		深圳市步步精科技有限公司 .X: ±0.38 .X': ±3" .XX: ±0.25 .X'': ±2" .XXX: ±0.13 .XX': ±1"		NAME: TYPE-C 24P 母座 L=9.34 CH=1.73 六脚插 带柱 端子DIP+SMT 外壳无缺口 前插后贴	
APPD.	JM_Zheng	PJ. NO.: UC. 01. 52-12-0008		SIZE: A4 DRW NO.:	
CHKD.	LYX	FINISH: SEE NOTES		MAT'L.: SEE NOTES	
PDWG.NO:	0049-1	DR.	ZY	SCALE: N/A	REV.: A0 UNIT: mm PAGE: 3/3