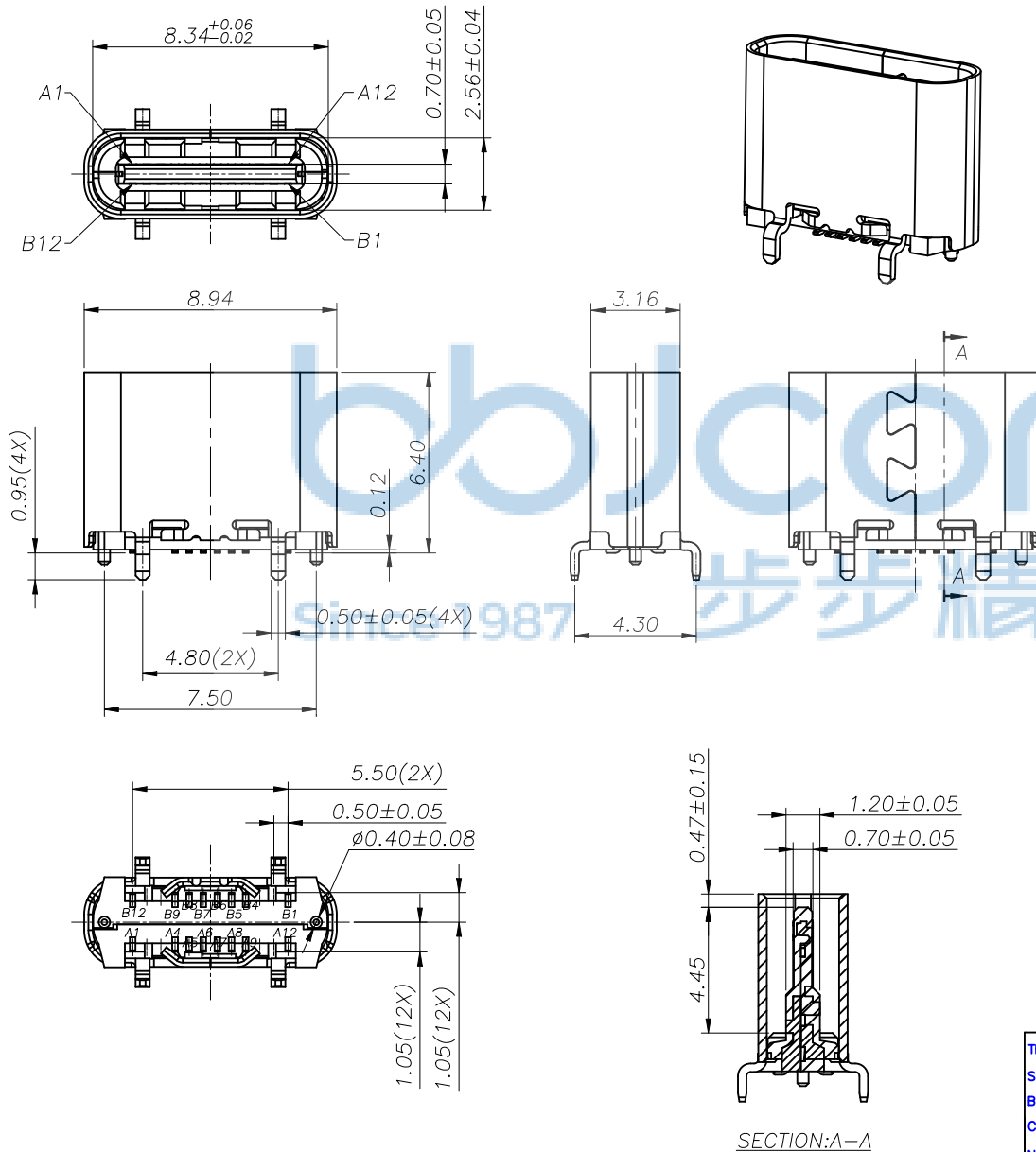


| REV. | ECN NO | CONTENT         | DATE | ENGINEER |
|------|--------|-----------------|------|----------|
| A0   |        | Initial release | /    | GZY      |



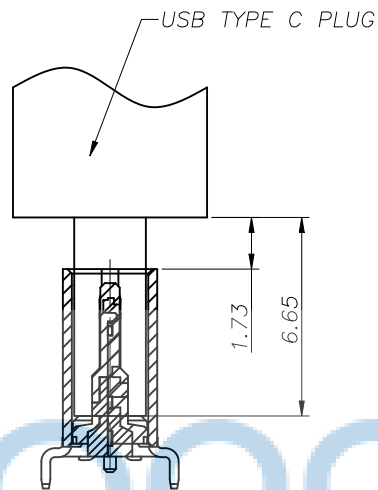
**NOTE:**

- MATERIAL SPECIFICATION:**
  - HOUSING:LCP,UL94 V-0.
  - TERMINAL: COPPER ALLOY(C18150)
  - MID PLATE: STAINLESS STEEL(SUS301)
  - FRONT SHELL: STAINLESS STEEL(SUS304)
- PLATING SPECIFICATION:**
  - TERMINAL:
    - Ni 50u" MIN. UNDER PLATED OVER ALL.
    - Au PLATED ON THE FUNCTIONAL AREA OF CONTACT.
  - FRONT SHELL:
    - Ni 50u" MIN. UNDER PLATED OVER ALL.
  - MID PLATE:
    - CLEAR ONLY
- MECHANICAL PERFORMANCE,**
  - INSERTION FORCE: 0.5~2.0kgf.
  - REMOVAL FORCE: 0.8kgf~2.0kgf.
  - DURABILITY: 10000 CYCLES.
- ELECTRICAL PERFORMANCE,**
  - VOLTAGE RATING:5 V DC/AC (RMS. max)  
CURRENT RATING:5 AMPS. FOR TOTAL VBUS/GND PINS;  
1.25AMPS FOR CC PIN,0.25 AMPS. FOR ALL OTHER CONTACT.
  - LLCR:
    - VBUS & GND PINS AND OTHER PINS: 40mΩ/PIN MAX.
    - LLCR MAX. CHANGE OF ALL PINS: 10mΩ.
  - INSULATION RESISTANCE: 100MΩ MIN
  - DIELECTRIC WITHSTAND VOLTAGE,AC 100V FOR 1 MINUTE.
- ENVIRONMENTAL PERFORMANCE:**
  - OPERATING TEMPERATURE: -25°C~+85°C.
- IR REFLOW:**
  - THE PEAK TEMPERATURE ON THE BOARD SHALL BE MAINTAINED FOR 10 SECONDS AT 260°C.

|   |  |   |  |  |  |
|---|--|---|--|--|--|
| THIS DOCUMENT IS THE SOLE PROPERTY OF BBJconn Technology Co.,Ltd. Corporation AND SHOULD NOT BE USED IN WHOLE OR IN PART WITHOUT PRIOR WRITTEN PERMISSION. PDWNG,NO: 0049-1 |  | 深圳市步步精科技有限公司<br>.X: ±0.38    .X': ±3"<br>.XX: ±0.25    .X'': ±2"<br>.XXX: ±0.13    .X''': ±1"   |  | NAME: TYPE-C 16P 母座 直立式 四脚插 端子双排SMT 带柱 H=6.40 不锈钢外壳 LCP黑胶 编带<br>APPD. JM_Zheng<br>CHKD. LYX<br>DR. GZY |  |
|   |  | PJ. NO.: 126-224-160002-M8G<br>SIZE: A4   DRW NO.:<br>FINISH: SEE NOTES    MAT'L.: SEE NOTES<br>SCALE: N/A    REV.: A0    UNIT: mm    PAGE: 1/3 |  |  |  |

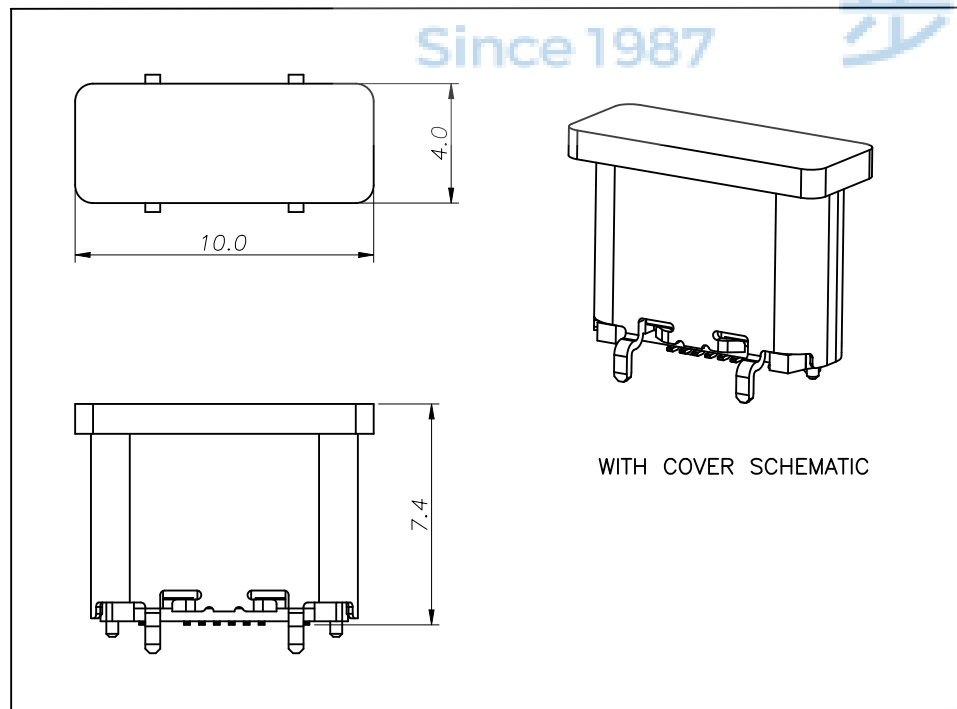
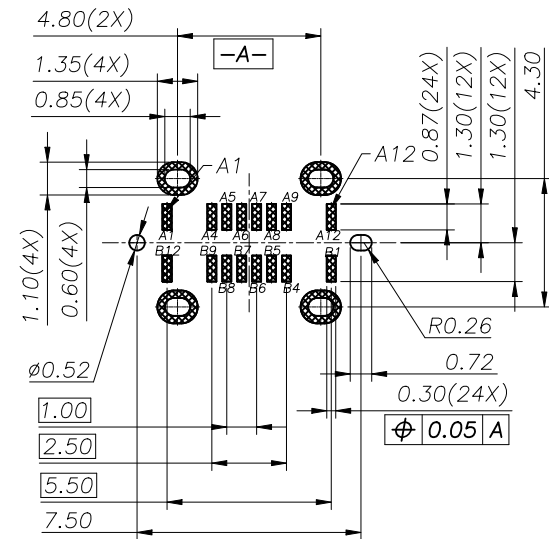
USB TYPE-C PIN ASSIGNMENTS

| PIN NUMBER | SIGNAL NAME | PIN NUMBER | SIGNAL NAME |
|------------|-------------|------------|-------------|
| A1         | GND         | B12        | GND         |
| A4         | Vbus        | B9         | Vbus        |
| A5         | CC1         | B8         | SBU2        |
| A6         | Dp1         | B7         | Dn2         |
| A7         | Dn1         | B6         | Dp2         |
| A8         | SBU1        | B5         | CC2         |
| A9         | VBUS        | B4         | VBUS        |
| A12        | GND         | B1         | GND         |



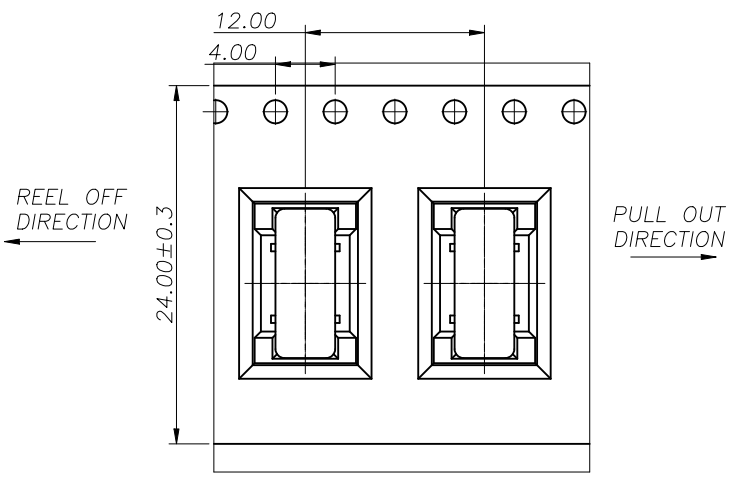
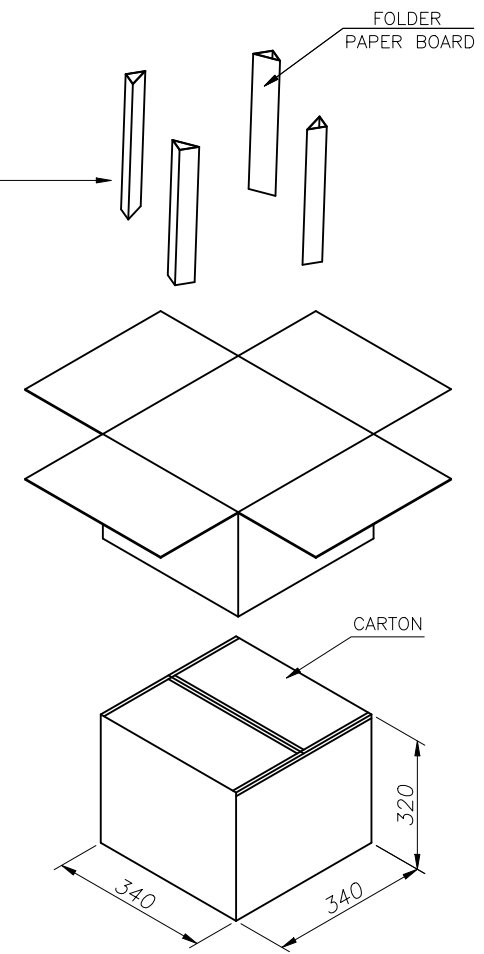
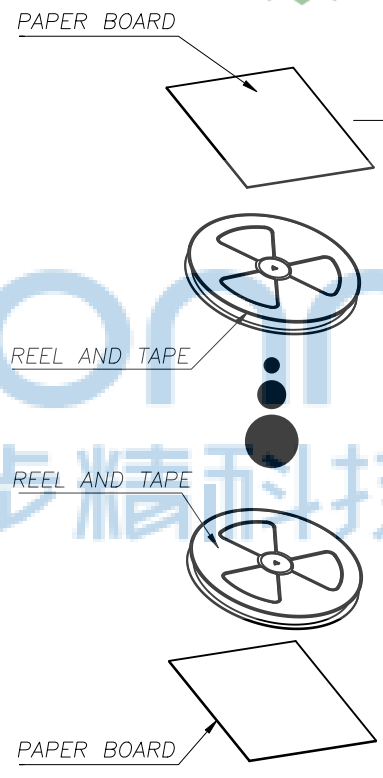
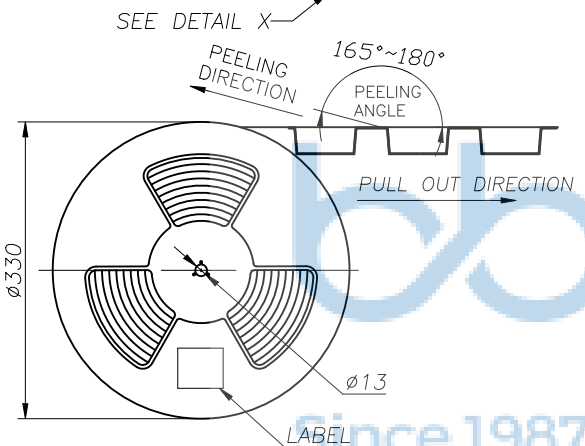
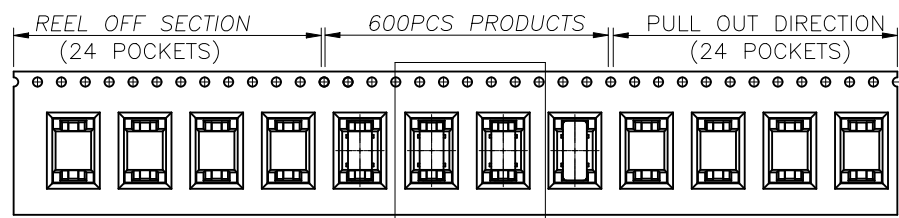
FEMALE AND MALE MATCHING DRAWING

| REV. | ECN NO | CONTENT         | DATE | ENGINEER |
|------|--------|-----------------|------|----------|
| A0   |        | Initial release | /    | GZY      |



|  |          |  |  |
|--|----------|--|--|
| THIS DOCUMENT IS THE SOLE PROPERTY OF BBJconn Technology Co.,Ltd. Corporation AND SHOULD NOT BE USED IN WHOLE OR IN PART WITHOUT PRIOR WRITTEN PERMISSION. PDWG:NO: 0049-1 |          | <b>深圳市步步精科技有限公司</b>  |  |
| .X: ±0.38<br>.XX: ±0.25<br>.XXX: ±0.13   |          | X': ±3'<br>.X': ±2'<br>.XX': ±1'                             |  |
| APPD.  | JM_Zheng | NAME: TYPE-C 16P 母座 直立式 四脚插 端子双排SMT 带柱 H=6.40 不锈钢外壳 LCP黑胶 编带 |  |
| CHKD.  | LYX      | PJ. NO.: 126-224-160002-M8G                                  |  |
| DR.  | GZY      | SIZE: A4 DRW NO.:  |  |
|  |          | FINISH: SEE NOTES MAT'L.: SEE NOTES                          |  |
|  |          | SCALE: N/A REV.: A0 UNIT: mm PAGE: 2/3                       |  |

| REV. | ECN NO | CONTENT         | DATE | ENGINEER |
|------|--------|-----------------|------|----------|
| A0   |        | Initial release | /    | GZY      |



|  |          |   |  |   |  |
|--|----------|---|--|---|--|
| THIS DOCUMENT IS THE SOLE PROPERTY OF BBJconn Technology Co.,Ltd. Corporation AND SHOULD NOT BE USED IN WHOLE OR IN PART WITHOUT PRIOR WRITTEN PERMISSION. PDWG.NO: 0049-1 |          | 深圳市步步精科技有限公司<br>.X: ±0.38    .X': ±3'<br>.XX: ±0.25    .X': ±2'<br>.XXX: ±0.13    .XX': ±1' |  | NAME: TYPE-C 16P 母座 直立式 四脚插 端子双排SMT 带柱 H=6.40 不锈钢外壳 LCP黑胶 编带<br>PJ. NO.: 126-224-160002-M8G<br>SIZE: A4   DRW NO.:<br>FINISH: SEE NOTES   MAT'L.: SEE NOTES<br>SCALE: N/A   REV.: A0   UNIT: mm   PAGE: 3/3 |  |
| APPD.  | JM_Zheng |   |  |   |  |
| CHKD.  | LYX      |   |  |   |  |
| DR.  | GZY      |   |  |   |  |