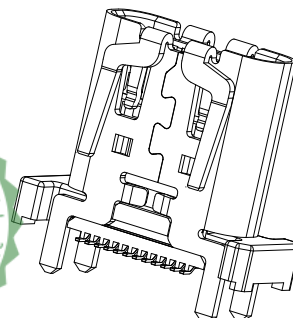
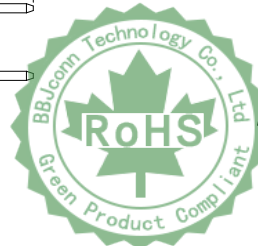
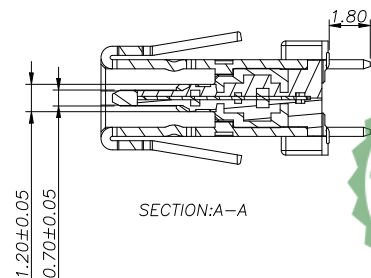
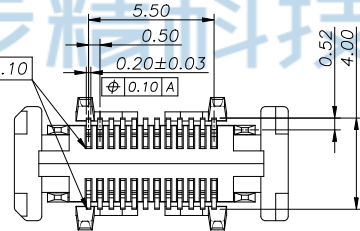
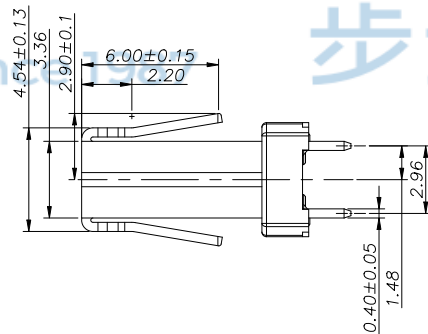
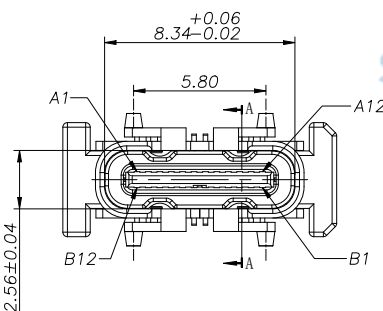
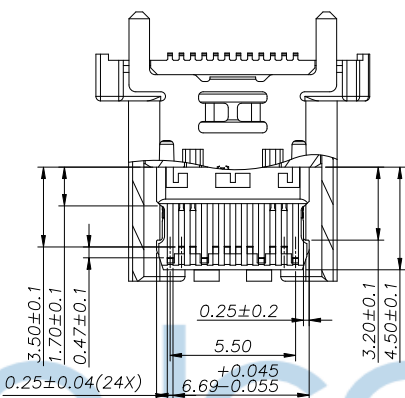
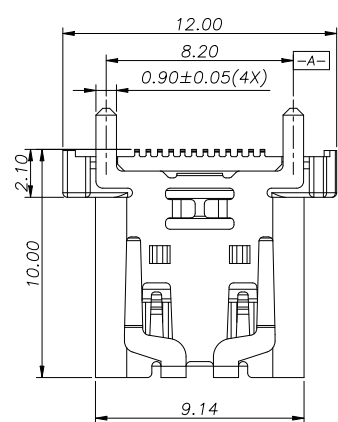


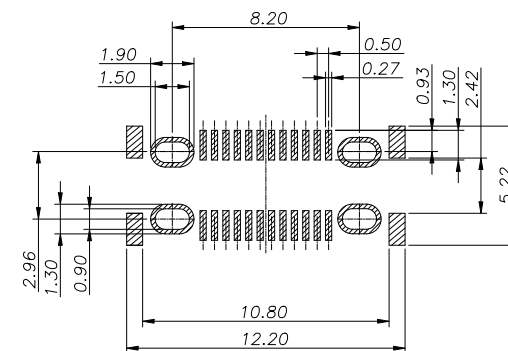
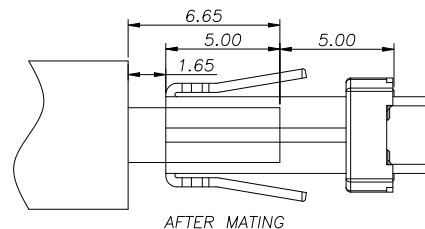
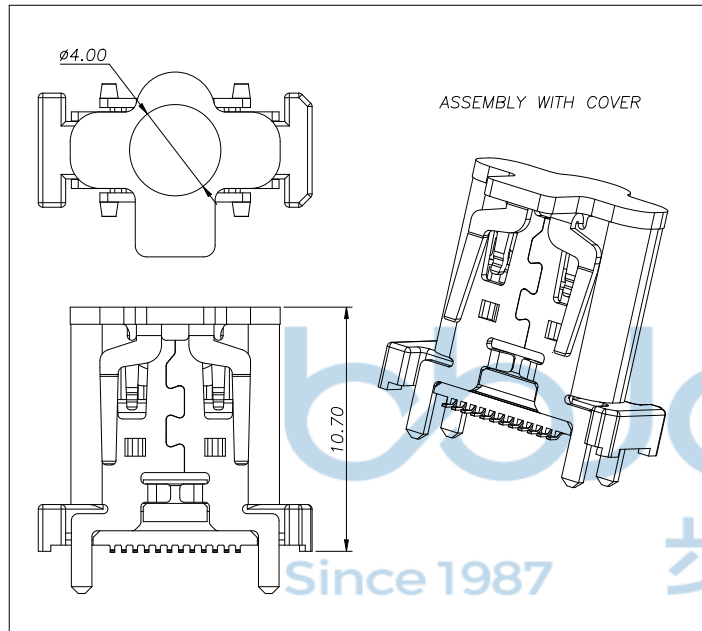
REV.	ECN NO.	CONTENT	DATE	ENGINEER
AO		Initial release		LYX

NOTE:  
 1.MATERIAL SPECIFICATION:  
 1.HOUSING:PA9T,UL94 V-0.  
 2.TERMINAL: COPPER ALLOY(C7025)  
 3.MID PLATE: STAINLESS STEEL(SUS301)  
 4.SHELL: STAINLESS STEEL(SUS304)  
 2.PLATING SPECIFICATION:  
 2-1.TERMINAL:  
 Ni 50u" MIN. UNDER PLATED OVER ALL.  
 Au PLATED ON THE CONTACT AREA OF CONTACT.  
 (GOLD PLATING THICKNESS FOLLOW THE P/N DESCRIPTION)  
 PLATING SPECIFICATIONS OF THE SOLDER AREA FOLLOW THE P/N  
 2-2.SHELL:  
 Ni 50u" MIN. UNDER PLATED OVER ALL.  
 2-3.MID PLATE:  
 CLEAR ONLY  
 3.MECHANICAL PERFORMANCE,  
 3-1.INSERTION FORCE: 0.5~2.0kgf.  
 3-2.REMOVAL FORCE: 0.8kgf~2.0kgf.  
 3-3.DURABILITY: 10000 CYCLES.  
 4.ELECTRICAL PERFORMANCE,  
 4-1. VOLTAGE RATING:5 V DC/AC (RMS. max)  
 CURRENT RATING:5 AMPS. FOR TOTAL VBUS/GND PINS;  
 1.25AMPS FOR CC PIN,0.25 AMPS. FOR ALL OTHER CONTACT.  
 4-2. LLCR:  
 CONTACT RESISTANCE: 40mΩ/MAX.  
 LLCR MAX. CHANGE OF ALL PINS: 10mΩ.  
 4-3.INSULATION RESISTANCE: 100MΩ MIN  
 4-4.DIELECTRIC WITHSTAND VOLTAGE,AC 100V FOR 1 MINUTE.  
 5. ENVIRONMENTAL PERFORMANCE:  
 OPERATING TEMPERATURE: -25°C~+85°C.  
 6.IR REFLOW:  
 THE PEAK TEMPERATURE ON THE BOARD SHALL  
 BE MAINTAINED FOR 10 SECONDS AT 260°C.



THIS DOCUMENT IS THE SOLE PROPERTY OF BBJconn Technology Co.,Ltd. Corporation AND SHOULD NOT BE USED IN WHOLE OR IN PART WITHOUT PRIOR WRITTEN PERMISSION.		<b>深圳市步步精科技有限</b> <b>公司</b>	
.X: ±0.38 .XX: ±0.25 .XXX: ±0.13		* ±3' ±2' ** ±1'	
APPD.	JM_Zheng	NAME: TYPE-C 24P 母座 直立式 H10.0 GEN 2 四脚插 带弹 SMT	
CHKD.	TSP	PJ. NO.: 126-224-240002-M8G	
DR.	LYX	SIZE: A4 DRW NO.:	
PDWG.NO: 0049-1		FINISH: SEE NOTES MAT'L.: SEE NOTES	
		SCALE: N/A REV.: AO UNIT: mm PAGE: 1/3	

REV.	ECN NO.	CONTENT	DATE	ENGINEER
A0		Initial release		LYX



USB TYPE-C PIN ASSIGNMENTS

PIN NUMBER	SIGNAL NAME	PIN NUMBER	SIGNAL NAME
A1	GND	B12	GND
A2	SSTXp1	B11	SSRXp1
A3	SSTXn1	B10	SSRXn1
A4	Vbus	B9	Vbus
A5	CC1	B8	SBU2
A6	Dp1	B7	Dn2
A7	Dn1	B6	Dp2
A8	SBU1	B5	CC2
A9	Vbus	B4	Vbus
A10	SSRXn2	B3	SSTXn2
A11	SSRXp2	B2	SSTXp2
A12	GND	B1	GND



THIS DOCUMENT IS THE  
SOLE PROPERTY OF  
BBJconn Technology Co.,Ltd.  
Corporation AND SHOULD  
NOT BE USED IN WHOLE  
OR IN PART WITHOUT  
PRIOR WRITTEN PERMISSION.  
PDWG,NO: 0049-1

**深圳市步步精科技有限**  
**公司**

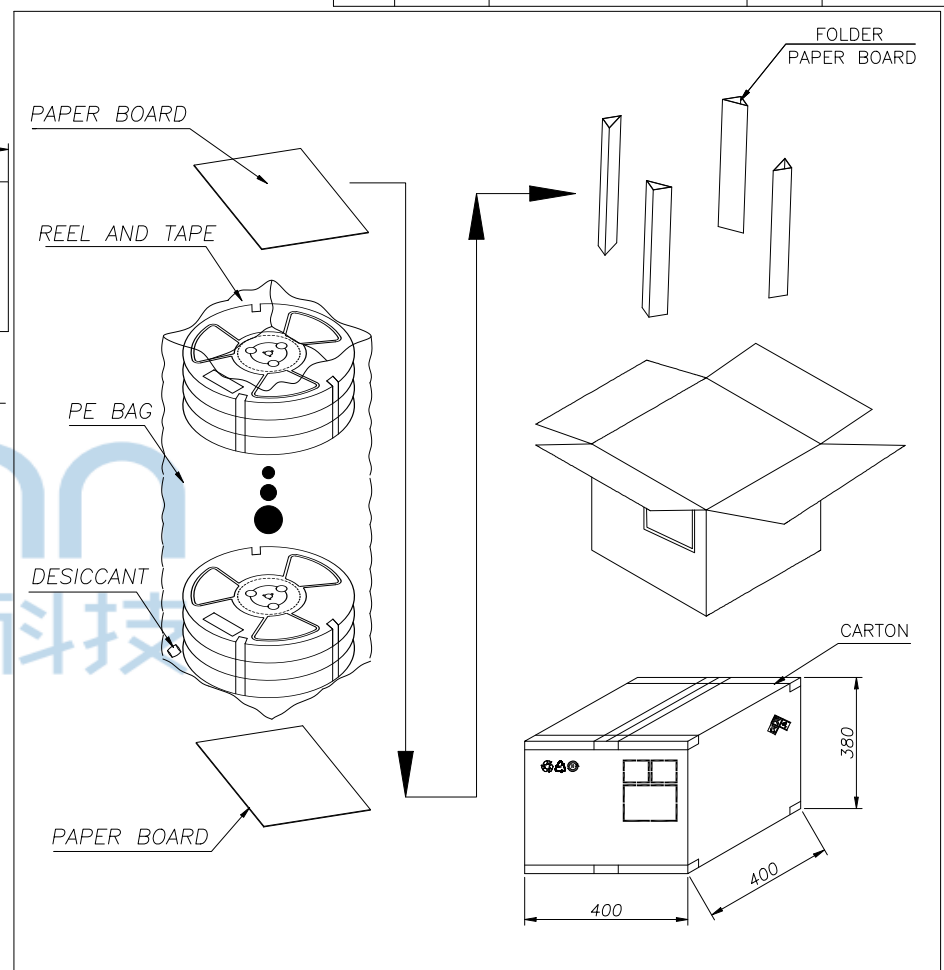
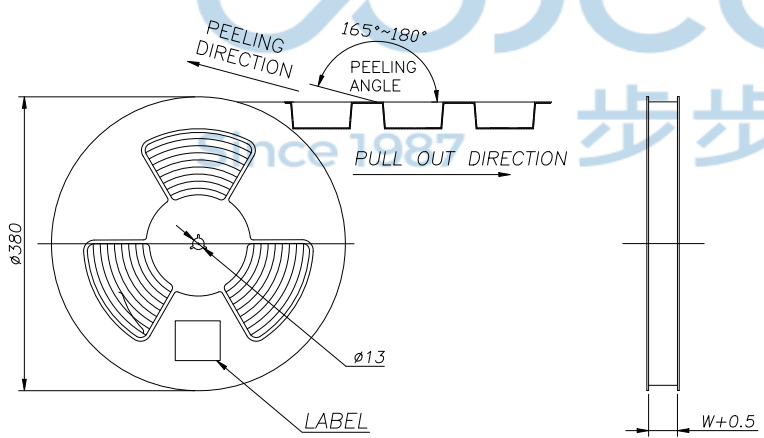
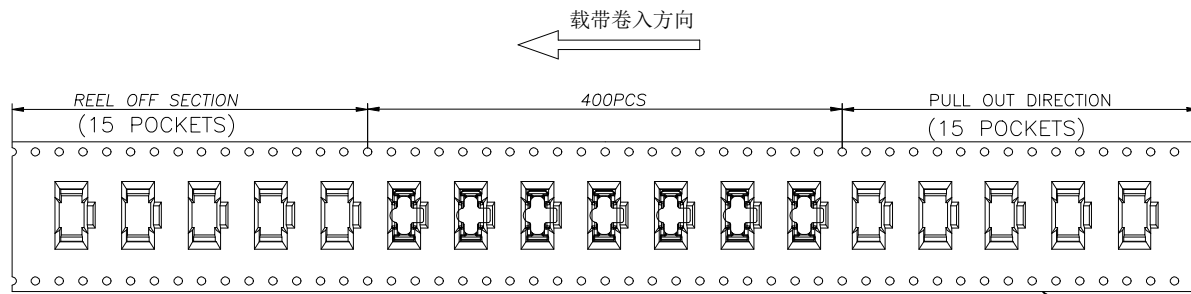
NAME: TYPE-C 24P 母座 直立 式 H10.0  
GEN 2 四脚插 带弹 SMT

APPD. JM\_Zheng  
CHKD. TSP  
DR. LYX

PJ. NO.: 126-224-240002-M8G  
SIZE: A4 DRW NO.:

FINISH: SEE NOTES MAT'L.: SEE NOTES  
SCALE: N/A REV.: A0 UNIT: mm PAGE: 2/3

REV.	ECN NO.	CONTENT	DATE	ENGINEER
AO		Initial release		LYX



	REEL	CARTON
CONNECTOR (PCS)	400	3200

THIS DOCUMENT IS THE SOLE PROPERTY OF BBJconn Technology Co., Ltd. Corporation AND SHOULD NOT BE USED IN WHOLE OR IN PART WITHOUT PRIOR WRITTEN PERMISSION.		<b>深圳市步步精科技有限</b> <b>公司</b>	
.X: ±0.35 .XX: ±0.25 .XXX: ±0.13 .X*: ±3* .Y*: ±2* .XX*: ±1*		NAME: TYPE-C 24P 母座 直立 H10.0 GEN 2 四脚插 带弹 SMT	
APPD.	JM_Zheng	PJ. NO.: 126-224-240002-M8G SIZE: A4 DRW NO.:	FINISH: SEE NOTES
CHKD.	TSP		MAT'L.: SEE NOTES
PDWG. NO:	0049-1	DR.	LYX
		SCALE: N/A	REV.: AO
		UNIT: mm	PAGE: 3/3