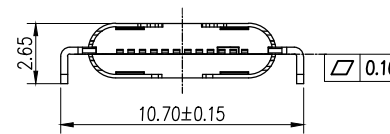
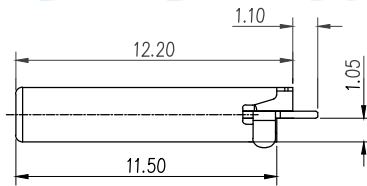
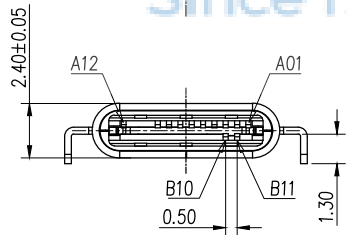
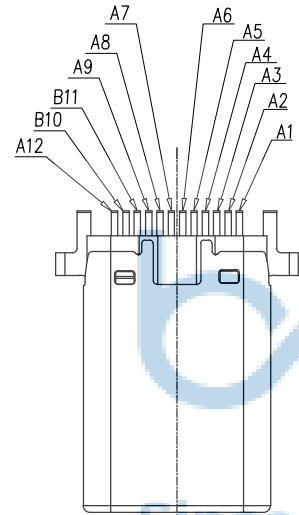


REV.	ECN NO	CONTENT	DATE	ENGINEER
A0		Initial release	/	WYY

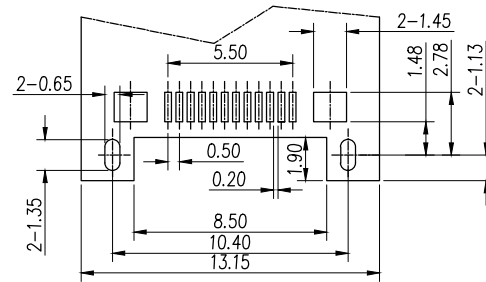
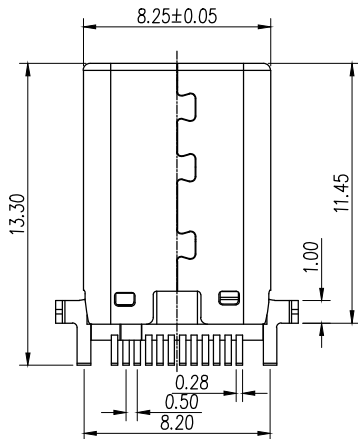
Specification:

1. Electrical Characteristics:
  - Contact Current Rating: 3 Amperes Max.
  - Rated Voltage: 30V Max.
  - Dielectric Withstanding Voltage: AC 100V r.m.s.
  - Insulation Resistance: 100 MΩ Minimum.
  - Contact Resistance: 40 mΩ Maximum.
2. Environmental:
  - Operating Temperature: -30°C~+85°C.
3. Mechanical Characteristics:
  - Insertion Force: 20N MAX.
  - Withdrawal Force: 5~20N.
  - Durability Cycles: 10000 Cycles.



5	EMC SPRING	Stainless Steel; T=0.10mm;
4	CONTACT	Copper Alloy; Au1u";
3	LATCH	Stainless Steel; ,T=0.3mm;
2	HOUSING	LCP Thermoplastic, UL94V-0;
1	SHELL	Stainless Steel, T=0.15mm;
NO.	NAME	DESCRIPTION

A12	A11	A10	A9	A8	A7	A6	A5	A4	A3	A2	A1
GND			VBUS	SBU1	D-	D+	CC	VBUS	TX1-	TX1+	GND
									RX1-	RX1+	
B1	B2	B3	B4	B5	B6	B7	B8	B9	B10	B11	B12



RECOMMENDED P.C.B. LAYOUT  
TOLERANCE UNSPECIFIED ±0.05mm

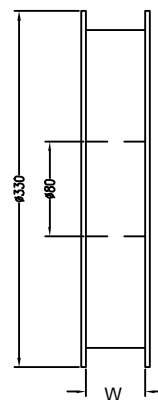
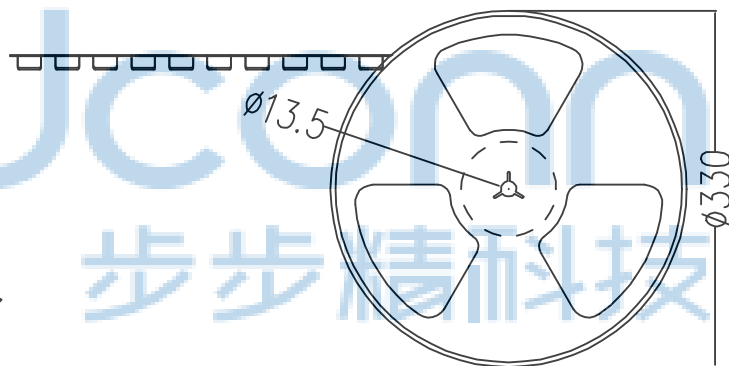
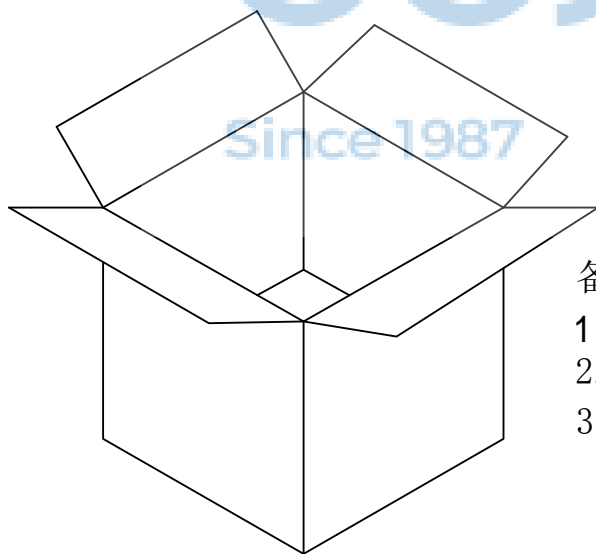
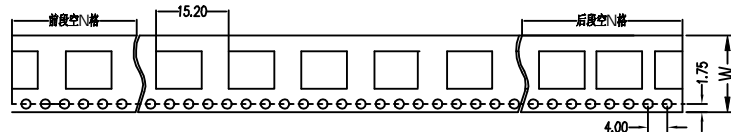
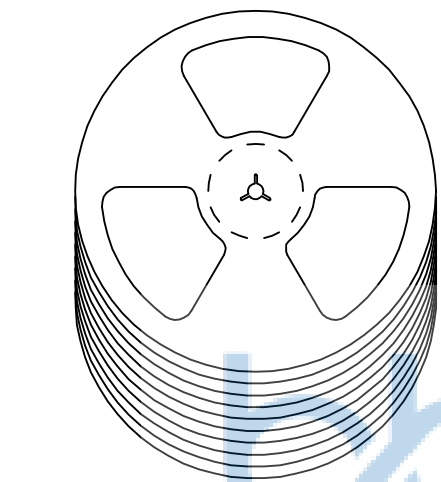
THIS DOCUMENT IS THE SOLE PROPERTY OF **bbJconn Technology Co., Ltd.** 深圳市步步精科技有限公司  
Corporation AND SHOULD NOT BE USED IN WHOLE OR IN PART WITHOUT PRIOR WRITTEN PERMISSION.

NAME: TYPE-C 12P 公头 L=12.20 沉板1.05 两脚插 铆合款 端子SMT

APPD. JM\_Zheng  
CHKD. LYX  
DR. WYY

PJ. NO.: 126-121-120001-J8G  
SIZE: A4 | DRW NO.:  
FINISH: SEE NOTES | MAT'L.: SEE NOTES  
SCALE: N/A | REV.: A0 | UNIT: mm | PAGE: 1/1

PDWG.NO: 0440-1



备注:

1. 包装数量：1200/PCS/卷，10卷/箱。
2. 包装袋长度：每卷前后各空10-20个空格，中间包装。
3. 材质：  
载体：聚丙烯（PS），阻抗 $10^{6-9} \Omega$   
上带：聚乙烯（PET），阻抗 $10^{6-11} \Omega$   
卷盘：聚苯乙烯。

纸箱规格：345\*345\*230MM

纸箱规格：345\*345\*350MM

THIS DOCUMENT IS THE SOLE PROPERTY OF BBJconn Technology Co.,Ltd. Corporation AND SHOULD NOT BE USED IN WHOLE OR IN PART WITHOUT PRIOR WRITTEN PERMISSION.		深圳市步步精科技有限公司 .X: ±0.38    .X': ±3' .XX: ±0.25    .X'': ±2' .XXX: ±0.13    .X''': ±1'		NAME: TYPE-C 12P 公头 L=12.20 沉板1.05 两脚插 铆合款 端子SMT	
APPD.	JM_Zheng	PJ. NO.: 126-121-120001-J8G		SIZE: A4   DRW NO.:	
CHKD.	LYX	FINISH: SEE NOTES		MAT'L.: SEE NOTES	
PDWG.NO:	0440-1	DR.	WYY	SCALE: N/A	REV.: A0
		UNIT: mm	PAGE: 2/2		