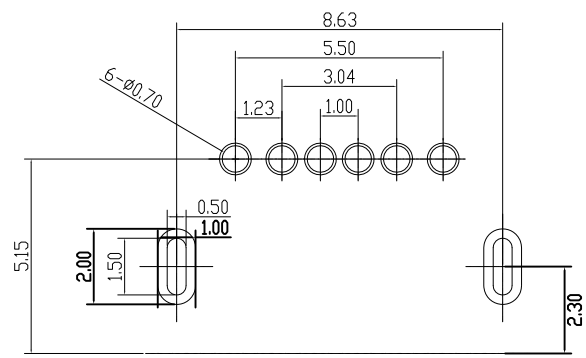
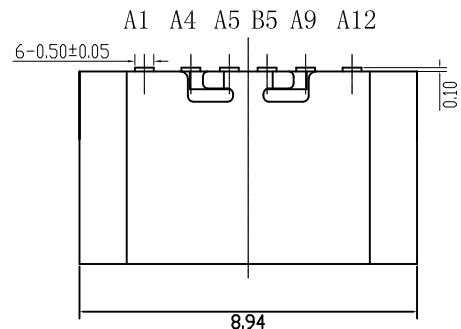
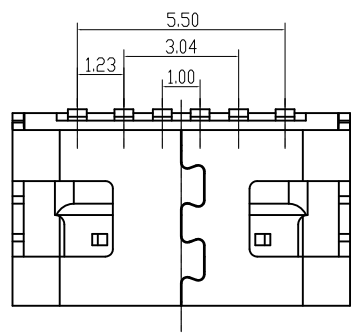
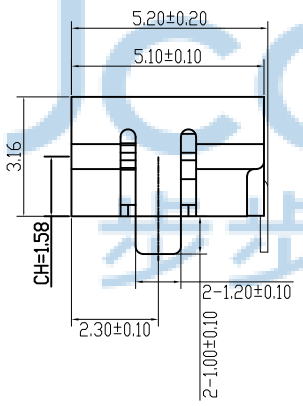
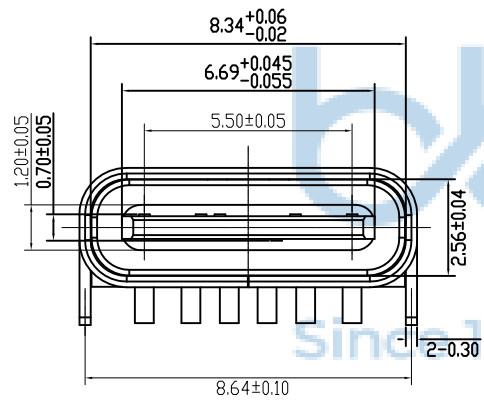


REV.	ECN NO.	CONTENT	DATE	ENGINEER
A0		Initial release	/	LYL



RECOMMENDED P.C.B. LAYOUT
TOLERANCE UNSPECIFIED ±0.05mm



- 特性:
- 一、电气性能: ELECTRICAL
 1. 额定电流: 3.0A
 2. 接触阻抗: 40 MILLIOHMS MAX
 3. 耐电压: 100V AC / 1 mA MAX
 4. 绝缘阻抗: 150V DC/100 MEGA OHMS MIN
 - 二、机械性能: MECHANICAL
 1. 插入力: 5~20N 2. 拨出力: 8~20N
 3. 使用寿命: 5000次、拨出力 5N MIN
 - 三、材料: MATERIAL
见表
 - 四、电镀: FINISH
 1. 端子: 接触点镀金1U~MIN
PIN脚焊接区域镀锡80U~MIN
 2. 外壳: 镀镍80U~MIN (盐雾48H)
 - 五、电镀品需做粘锡测试: 粘锡面积达到95%以上。
 - 六、SMT回流焊 (峰值260° C±5° C) 不能起泡、熔胶、变色不良 (变形在公差范围以内)
 - 七、工作温度: -40° C~+85° C
 - 八、盐雾测试: 通过48H在浓度为5±1%盐水的盐雾测试无生锈现象



USB TYPE-C PIN ASSIGNMENTS

PIN NUMBER	A1	A2	A3	A4	A5	A6	A7	A8	A9	A10	A11	A12
SIGNAL NAME	GND			V _{bus}	CC1				V _{bus}			GND
PIN NUMBER	B12	B11	B10	B9	B8	B7	B6	B5	B4	B3	B2	B1
SIGNAL NAME								CC2				

表1

序号	名称	用量	品名规格
1	外壳	1	SUS201 T=0.30mm
2	端子	1	C2680 H65
3	Molding	1	LCP 黑色, UL94-V0
4	卡勾	1	SUS304 T=0.15mm

THIS DOCUMENT IS THE SOLE PROPERTY OF BBJconn Technology Co.,Ltd. Corporation AND SHOULD NOT BE USED IN WHOLE OR IN PART WITHOUT PRIOR WRITTEN PERMISSION.

PDWG.NO: 0482-1

DR. LYL

APPD. JM_Zheng

CHKD. LYX

NAME: TYPE-C 6P 母座 L=5.10 CH=1.58 板上两脚插 端子DIP 带中夹片

PJ. NO.: 126-222-060002-H8G

SIZE: A4 DRW NO.:

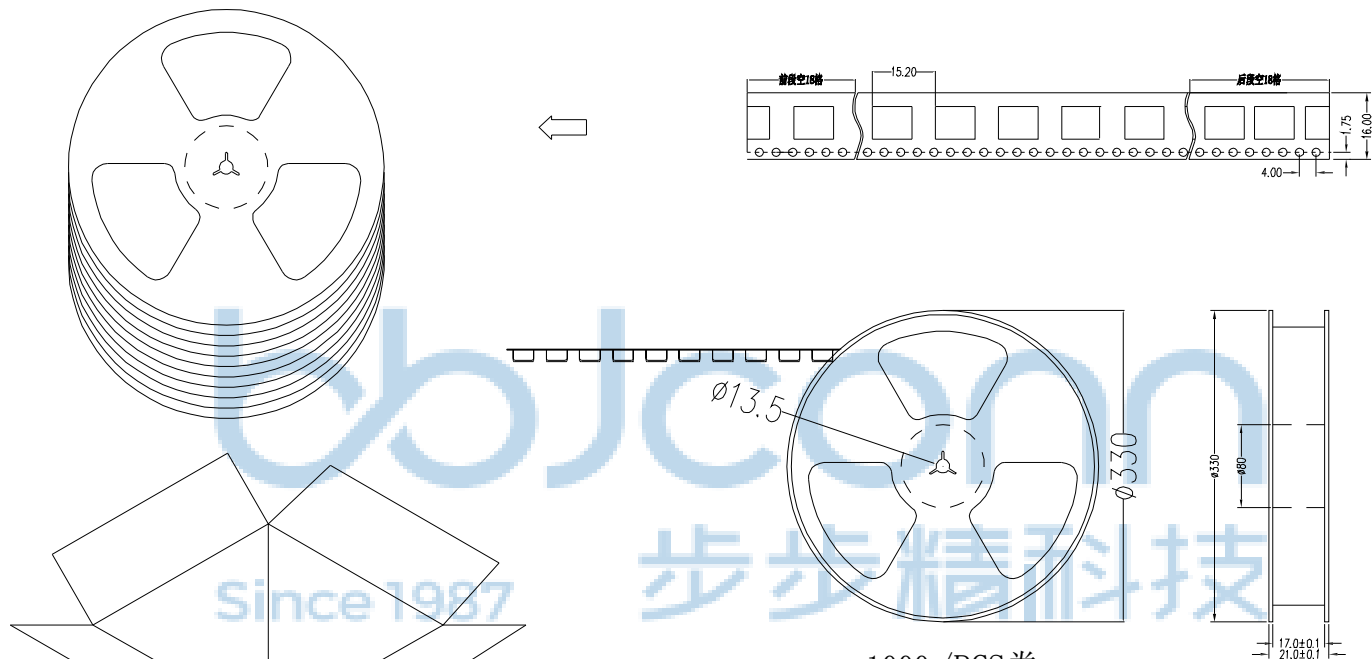
FINISH: SEE NOTES MAT'L.: SEE NOTES

SCALE: N/A REV.: A0 UNIT: mm PAGE: 1/2

深圳市步步精科技有限公司

.X: ±0.38 .XX: ±0.25 .XXX: ±0.13 X': ±3' .X': ±2' .XX': ±1'

REV.	ECN NO.	CONTENT	DATE	ENGINEER
A0		Initial release	/	LYL



备注:

1. 包装数量: 1000 / PCS / 卷, 10卷 / 箱或15卷 / 箱。
2. 包装袋长度: 每卷前后各空10-20个空格, 中间包装。
3. 材质:
载体: 聚丙烯 (PS), 阻抗 $10^{6-9} \Omega$
上带: 聚乙烯 (PET), 阻抗 $10^{6-11} \Omega$
卷盘: 聚苯乙烯。

纸箱规格: 345*345*23MM
纸箱规格: 345*345*35MM

THIS DOCUMENT IS THE SOLE PROPERTY OF BBJconn Technology Co.,Ltd. Corporation AND SHOULD NOT BE USED IN WHOLE OR IN PART WITHOUT PRIOR WRITTEN PERMISSION.		深圳市步步精科技有限公司	
.X: ± 0.38 .XX: ± 0.25 .XXX: ± 0.13		NAME: TYPE-C 6P 母座 L=5.10 CH=1.58 板上两脚插 端子DIP 带中夹片	
APPD. JM_Zheng		PJ. NO.: 126-222-060002-H8G	
CHKD. LYX		SIZE: A4 DRW NO.:	
PDWG.NO: 0482-1		FINISH: SEE NOTES MAT'L.: SEE NOTES	
DR. LYL		SCALE: N/A REV.: A0 UNIT: mm PAGE: 1/2	