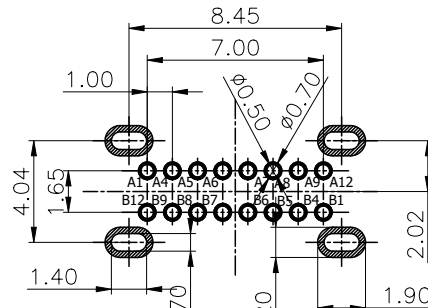
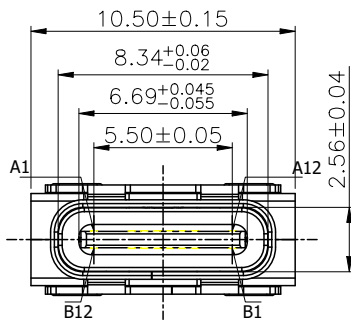
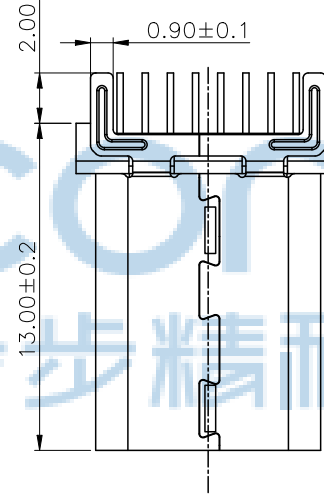
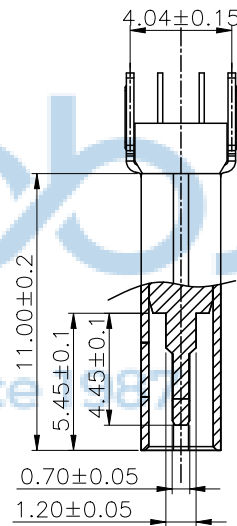
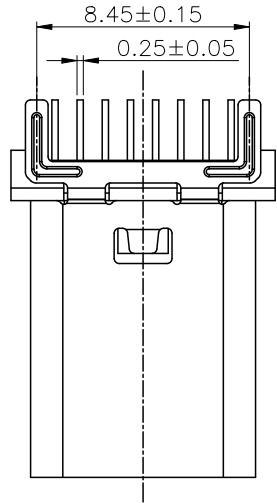
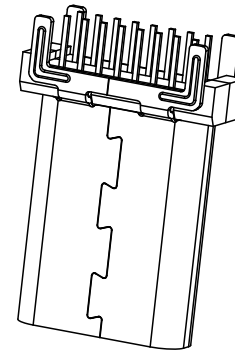
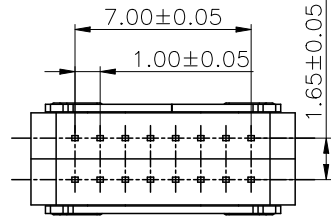




REV	ECN NO	CONTENT	DATE	ENGINEER
A0		INITIAL RELEASE	/	SGF

特性:

- 一、电气性能: ELECTRICAL
 1. 额定电流: 5.0A
 2. 接触阻抗: 40 MILLIOHMS MAX
 3. 耐电压: 100V AC / 1 mA MAX
 4. 绝缘阻抗: 150V DC/100 MEGA OHMS MIN
- 二、机械性能:
 1. 插入力: 5~20N 2. 拨出力: 8~20N
 3. 使用寿命: 10000次、拨出力 5N MIN
- 三、材料: MATERIAL
 - 端子: C7025
 - 外壳: SUS304
 - 中夹片: SUS201
 - 胶芯: LCP
- 四、电镀: FINISH
 1. 端子: 接触点镀金1U"MIN
PIN脚焊接区域镀锡80U"MIN
 2. 外壳: 镀镍80U"MIN (盐雾48H)
- 五、电镀品需做粘锡测试: 粘锡面积达到95%以上。
- 六、SMT回流焊 (峰值260° C±5° C) 不能起泡、熔胶、变色不良 (变形在公差范围以内)。
- 七、工作温度: -55° C~+85° C
- 八、盐雾测试: 通过24H在浓度为5±1%盐水的盐雾测试无生锈现象。



RECOMMENDED P.C.B. LAYOUT
TOLERANCE UNSPECIFIED ±0.05mm

PIN NUMBER	A1	A2	A3	A4	A5	A6	A7	A8	A9	A10	A11	A12
SIGNAL NAME	GND			Vbus	CC1	Dp1	Dn1	SBU1	Vbus			GND
PIN NUMBER	B12	B11	B10	B9	B8	B7	B6	B5	B4	B3	B2	B1
SIGNAL NAME	GND			Vbus	SBU2	Dn2	Dp2	CC2	Vbus			GND

THIS DOCUMENT IS THE
SOLE PROPERTY OF
BBJconn Technology Co.,Ltd.
Corporation AND SHOULD
NOT BE USED IN WHOLE
PRIOR WRITTEN PERMISSION.

深圳市步步精科技有限公司

.X: ±0.38 X': ±3'
.XX: ±0.25 .X': ±2'
.XXX: ±0.13 .XX': ±1'

NAME: TYPE-C 16P 母座 直立式 四脚插
端子DIP 带中夹片 H=13.0 盒装

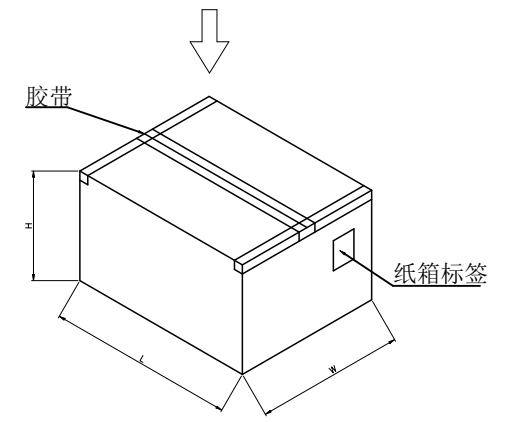
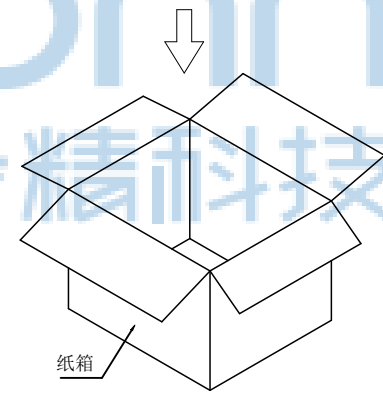
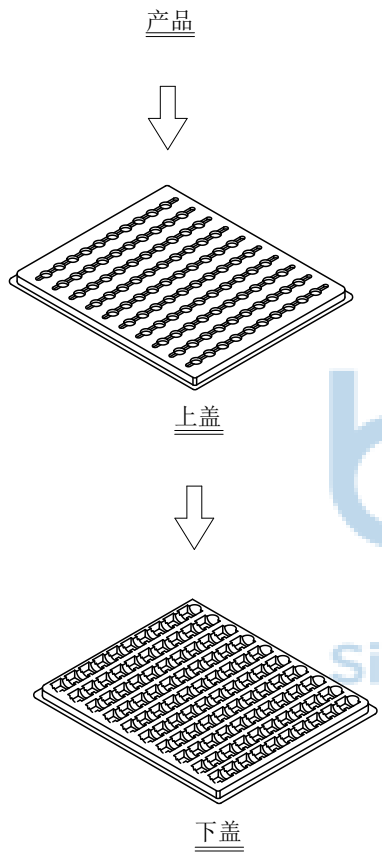
APPD JM_Zheng
CHKD LYX

PJ NO: 126-225-160004-H8G
SIZE:A4 DRW NO:

PDWG NO: 0482-1 DR SGF

FINISH:SEE NOTES MAT'L:SEE NOTES
SCALE:N/A REV:A0 UNIT:mm PAGE:1/2

REV	ECN NO	CONTENT	DATE	ENGINEER
A0		INITIAL RELEASE	/	SGF



纸箱规格: L435*W320*H140

- 1、包装要求:
- 1.1 每盒吸塑盒包装100pcs;
 - 1.2 每50盘放一箱, 共计5000PCS;
 - 1.3 纸箱外贴上标签。



THIS DOCUMENT IS THE SOLE PROPERTY OF BBJconn Technology Co.,Ltd. Corporation AND SHOULD NOT BE USED IN WHOLE PRIOR WRITTEN PERMISSION.		深圳市步步精科技有限公司 工程部	
APPD	JM_Zheng	NAME:	TYPE-C 16P 母座 直立式 四脚插 端子DIP 带中夹片 H=13.0 盒装
CHKD	LYX	PJ NO: 126-225-160004-H8G SIZE:A4 DRW NO:	
PDWG NO: 0482-1	DR	SGF	FINISH:SEE NOTES MAT'L:SEE NOTES SCALE:N/A REV:A0 UNIT:mm PAGE:2/2