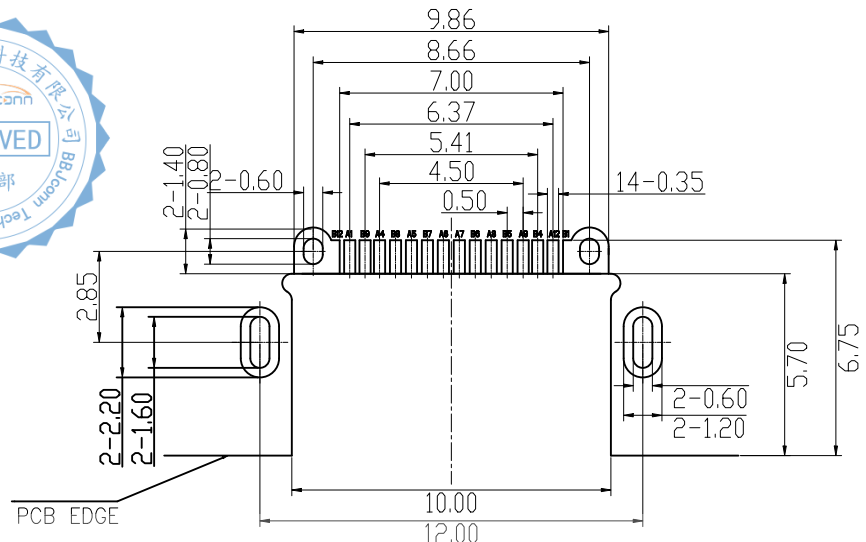
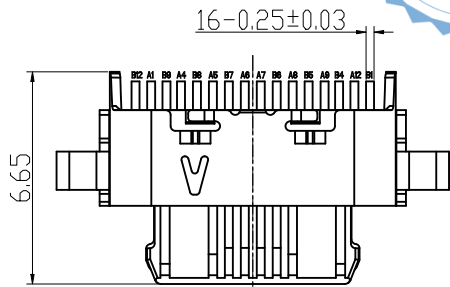
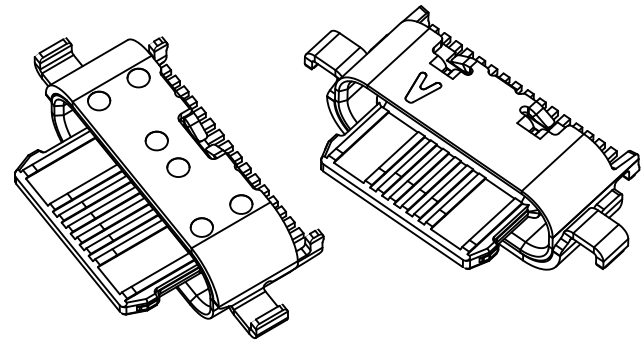
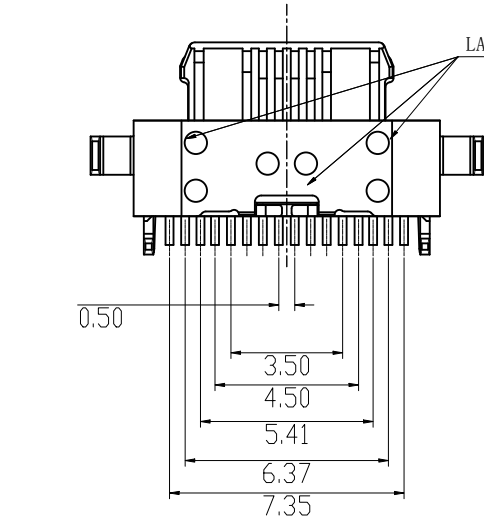
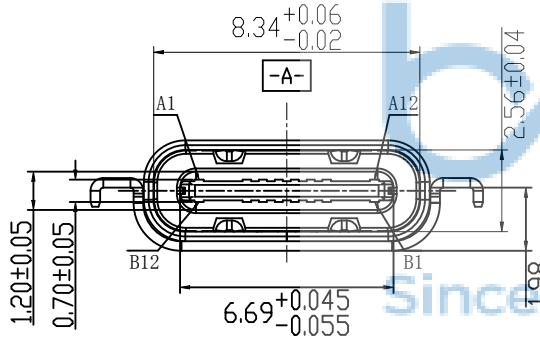




REV.	ECN NO	CONTENT	DATE	ENGINEER
A0				



RECOMMENDED PCB LAYOUT (TOP VIEW)
THICKNESS 0.60MM; DEFAULT TOLERANCE: ±0.05



- 特性:
- 一、电气性能: ELECTRICAL
 1. 额定电流: 5.0A
 2. 接触阻抗: 30 MILLIOHMS MAX
 3. 耐电压: 100V AC / 1 mA MAX
 4. 绝缘阻抗: 150V DC/100 MEGA OHMS MIN
 - 二、机械性能: MECHANICAL
 1. 插入力: 5~20N
 2. 拨出力: 8~20N
 3. 使用寿命: 10000次、拨出力 6N~20N
 - 三、材料: MATERIAL
 1. 塑胶: LCP UL94V-0
 2. 端子: C7025 T=0.25MM
 3. 外壳: SUS304 T=0.30MM
 4. 卡勾: SUS304 T=0.20MM
 - 四、电镀: FINISH
 1. 端子: 接触点镀金1U~MIN
PIN脚焊接区域镀金1U~MIN.
 2. 外壳: 镀镍50U~MIN (盐雾48H)
 - 五、电镀品需做粘锡测试: 粘锡面积达到95%以上。
 - 六、SMT回流焊 (峰值260° C±5° C) 不能起泡、熔胶、变色不良 (变形在公差范围以内)
 - 七、工作温度: -40° C~85° C



USB TYPE-C 16PIN PIN ASSIGNMENTS

PIN NUMBER	A1	A2	A3	A4	A5	A6	A7	A8	A9	A10	A11	A12
SIGNAL NAME	GND			Vbus	CC1	Dp1	Dn1	SBU1	Vbus			GND
PIN NUMBER	B12	B11	B10	B9	B8	B7	B6	B5	B4	B3	B2	B1
SIGNAL NAME	GND			Vbus	SBU2	Dn2	Dp2	CC2	Vbus			GND

THIS DOCUMENT IS THE SOLE PROPERTY OF BBJconn Technology Co.,Ltd. Corporation AND SHOULD NOT BE USED IN WHOLE OR IN PART WITHOUT PRIOR WRITTEN PERMISSION.

PDWG.NO: 0482-1

DR. TSP

APPD. JM_Zheng

CHKD. LYX

NAME: TYPE-C 16P 母座 四脚插 端子SMT 沉板1.98 L=3.00 CH=0.10 舌片外漏2.45

PJ. NO.: UC.01.31-1W-0016

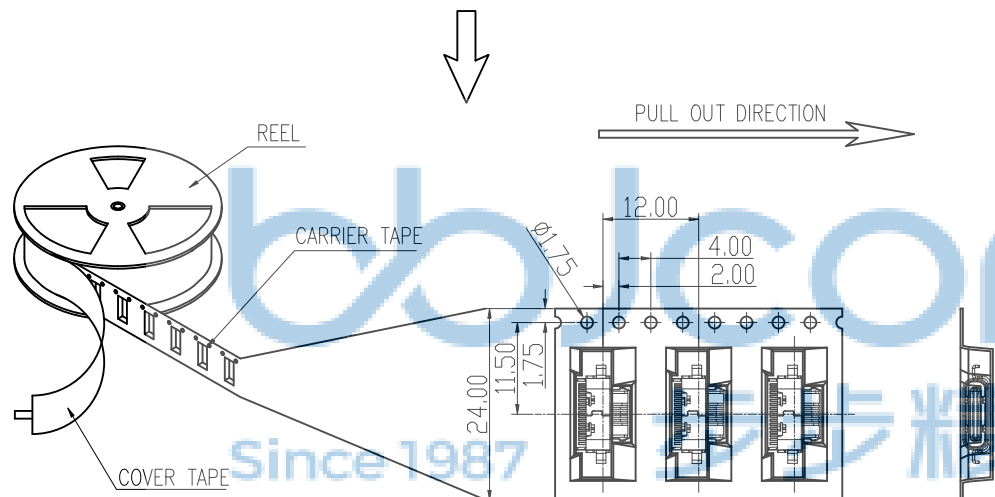
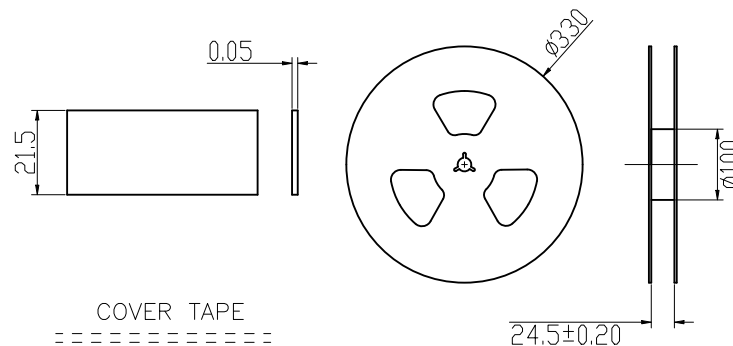
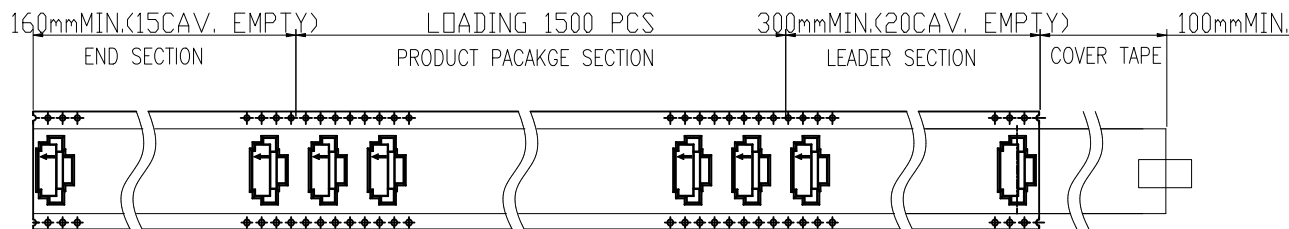
SIZE: A4 DRW NO.:

FINISH: SEE NOTES MAT'L.: SEE NOTES

SCALE: N/A REV.: A0 UNIT: mm PAGE: 1/2

深圳市步步精科技有限公司

REV.	ECN NO	CONTENT	DATE	ENGINEER
A0				



NOTES 2:

1. MATERIAL:

- 1.1 REEL AND AXLE: PS, BLUE
- 1.2 CARRIER TAPE: PET, LUCID
- 1.3 COVER TAPE: PS, TRANSPARENT

2. DIMENSION:

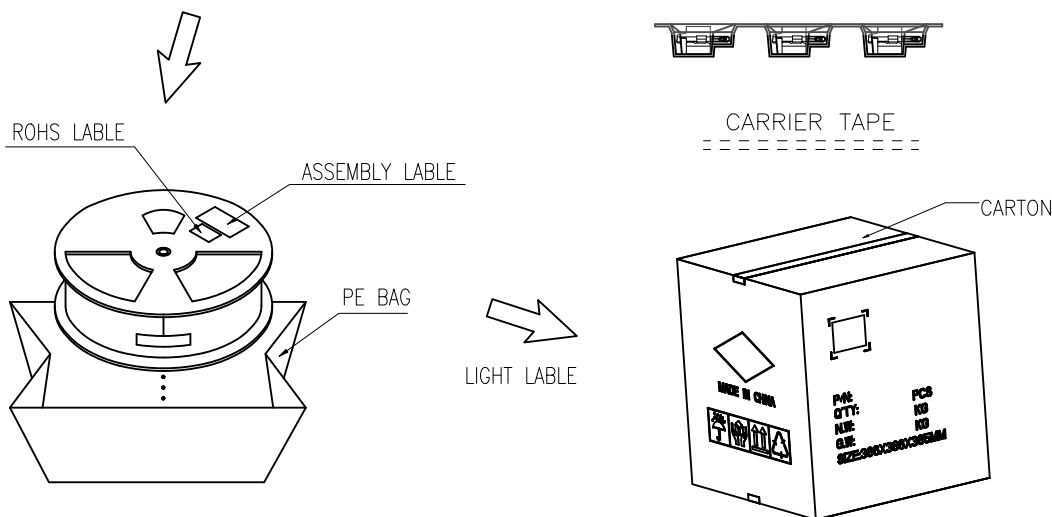
- 2.1 REEL: W=24.5, ØA=330
- 2.2 CARRIER TAPE: T=0.50 W=24.0
- 2.3 COVER TAPE: T=0.05 W=21.3
- 2.4 SHIPPING CARTON: CORRUGATED FIBER

3. QUANTITY :

- 3.1 PRIMAY PACKING: 1500PCS/REEL
- 3.2 SECONARY PACKING: 12 REELS/CARTON (18000PCS/CARTON)

4. PEELING RESISTANCE: 0.1~1.3N

- 4.1 PEELING SPEED: 300mm/minutes
- 4.2 PEELING ANGLE: 165° ~180°



THIS DOCUMENT IS THE SOLE PROPERTY OF BBJconn Technology Co., Ltd. Corporation AND SHOULD NOT BE USED IN WHOLE OR IN PART WITHOUT PRIOR WRITTEN PERMISSION.		深圳市步步精科技有限公司 .X: ±0.38 .X': ±3' .XX: ±0.25 .X'': ±2' .XXX: ±0.13 .XX': ±1'		NAME: TYPE-C 16P 母座 四脚插 端子SMT 沉板1.98 L=3.00 CH=0.10 舌片外漏2.45 PJ. NO.: UC.01.31-1W-0016 SIZE: A4 DRW NO.: FINISH: SEE NOTES MAT'L.: SEE NOTES	
APPD.	JM_Zheng			SCALE: N/A REV.: A0 UNIT: mm PAGE: 2/2	
CHKD.	LYX				
DR.	TSP				