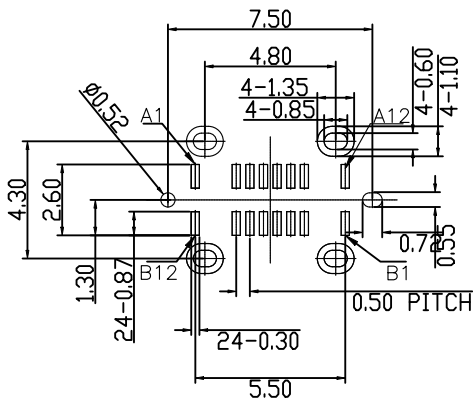
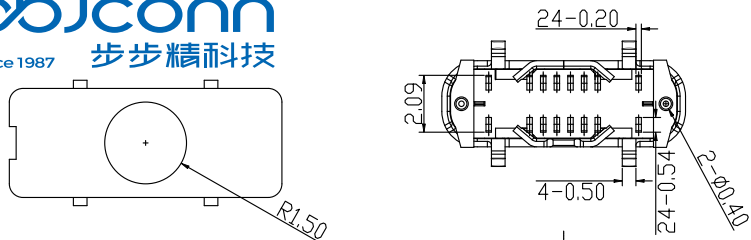


REV.	ECN NO.	CONTENT	DATE	ENGINEER
A0		Initial release	2022.02.21	TSP
A1	EN2310003	改全塑胶支撑为外壳半包, 增强塑胶强度 减小抽取盖尺寸, 方便布板原为共模3.6/5.6.8/7.4, 现为独立规格模具	2023.10.09	TSP
A2				
A3				



RECOMMENDED PCB LAYOUT (TOP VIEW)
THICKNESS 0.80MM; DEFAULT TOLERANCE: ±0.05

特性:

一、电气性能: ELECTRICAL

1. 额定电流: 5.0A
2. 接触阻抗: 40 MILLIOHMS MAX
3. 耐电压: 150V AC / 1 mA MAX
4. 绝缘阻抗: 150V DC/100 MEGA OHMS MIN

二、机械性能: MECHANICAL

1. 插入力: 5~20N
2. 拔出力: 8~20N
3. 使用寿命: 10000次、拔出力 6N~20N

三、材料: MATERIAL

1. 塑胶: LCP/PA9T UL94V-0
2. 端子: C7025 T=0.15MM
3. 外壳: SUS304 T=0.30MM
4. 卡勾: SUS301 T=0.15MM

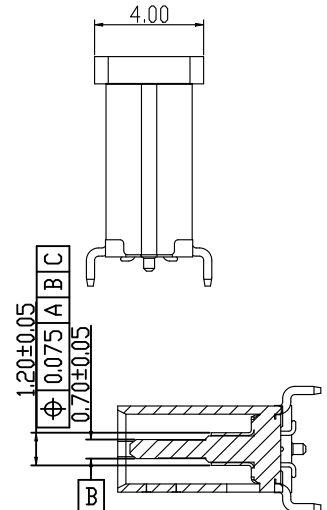
四、电镀: FINISH

1. 端子: 接触点镀金1U~MIN
PIN脚焊接区域镀锡80U~MIN.
2. 外壳: 镀镍50U~MIN (盐雾48H)

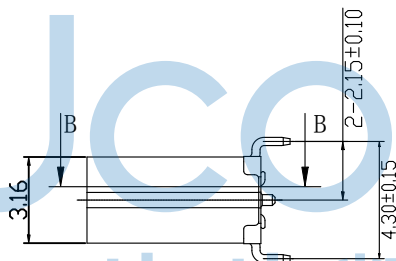
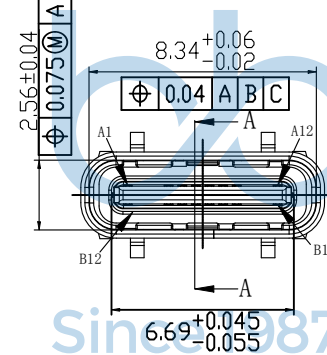
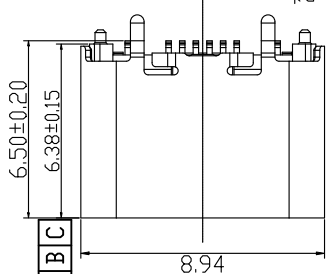
五、电镀品需做粘锡测试: 粘锡面积达到95%以上。

六、SMT回流焊 (峰值260° C±5° C) 不能起泡、熔胶、变色不良 (变形在公差范围以内)

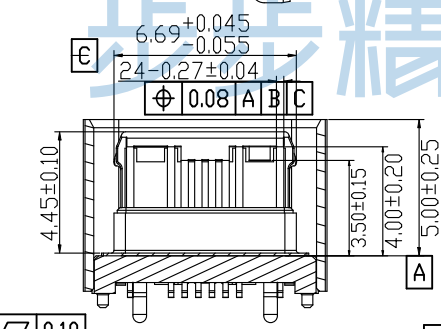
七、工作温度: -40° C~+85° C



SECTION A-A
SCALE 1:1
10.00



SECTION B-B
SCALE 1:1



USB TYPE-C 16PIN PIN ASSIGNMENTS

PIN NUMBER	A1	A2	A3	A4	A5	A6	A7	A8	A9	A10	A11	A12
SIGNAL NAME	GND			Vbus	CC1	Dp1	Dn1	SBU1	Vbus			GND
PIN NUMBER	B12	B11	B10	B9	B8	B7	B6	B5	B4	B3	B2	B1
SIGNAL NAME	GND			Vbus	SBU2	Dn2	Dp2	CC2	Vbus			GND

THIS DOCUMENT IS THE SOLE PROPERTY OF BBJconn Technology Co., Ltd. Corporation AND SHOULD NOT BE USED IN WHOLE OR IN PART WITHOUT PRIOR WRITTEN PERMISSION.
PDWG.NO: 0482-1

深圳市步步精科技有限公司

.X: ±0.38 X': ±3'
.XX: ±0.25 .X': ±2'
.XXX: ±0.13 .XX': ±1'

NAME: TYPE-C 16PIN 母座 直立式 端子SMT 四脚插 带柱 H=6.40

APPD. JM_Zheng

PJ. NO.: UC.01.61-1W-0006

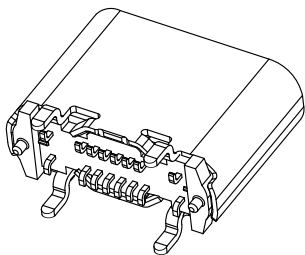
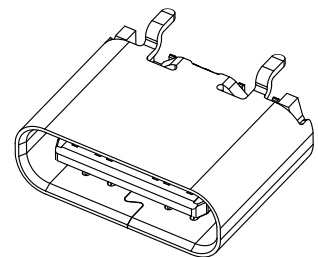
CHKD. LYX

SIZE: A4 DRW NO.:

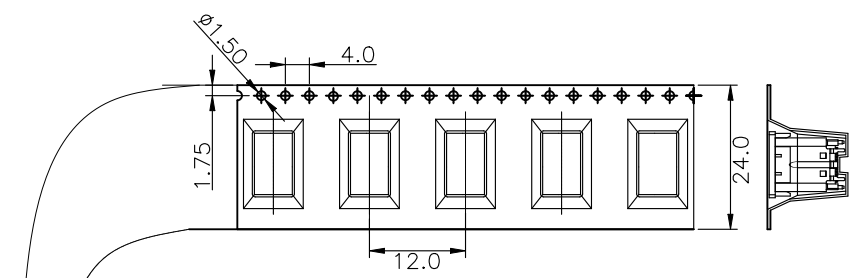
DR. TSP

FINISH: SEE NOTES MAT'L.: SEE NOTES

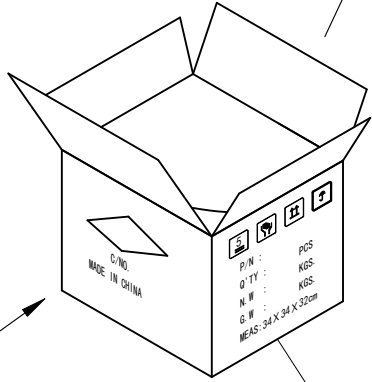
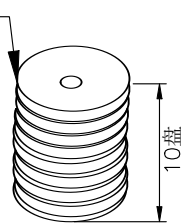
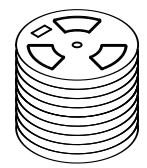
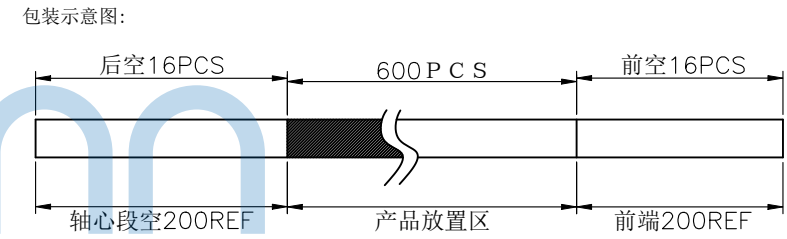
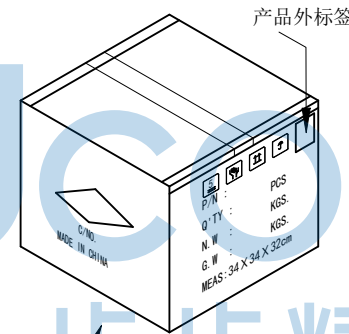
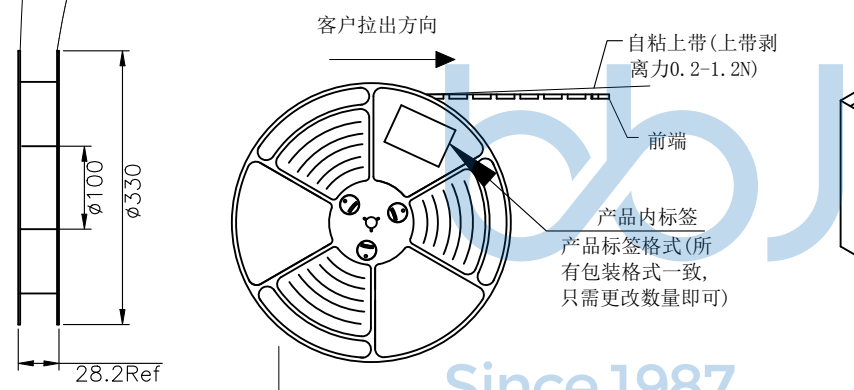
SCALE: N/A REV.: A1 UNIT: mm PAGE: 1/2



REV.	ECN NO.	CONTENT	DATE	ENGINEER
A0		Initial release	2022.02.21	TSP
A1	EN2310003	改全塑胶支撑为外壳半包, 增强塑胶强度 减小抽取品尺寸, 方便布板原为共模3.6/6.5/6.8/7.4, 现为独立规格模具	2023.10.09	TSP
A2				
A3				



- 备注:
- 把上下载带送入载带机进行调整, 然后将产品按照指定的方式摆入下载带中, 开动卷带机进行卷装 (每卷包600PCS), 卷装完成后需用上带缠绕最少20CM;
 - 在卷装OK的每卷盘面的指定位置上贴上物料和RoHS标签装入纸箱内; 每箱装10盘
 - 纸箱用封箱带将其封好, 胶带要求工字型, 不可遮住标签;
 - 如果客户对包装标签另有要求, 请按客户要求作业; 有未满足之零数箱需用缓冲材料填充;
 - 上载带剥离力: 0.2-1.2N ;



纸箱规格:
34.0X34.0X32CM

将10盘产品放入纸箱内



THIS DOCUMENT IS THE SOLE PROPERTY OF BBJconn Technology Co., Ltd. Corporation AND SHOULD NOT BE USED IN WHOLE OR IN PART WITHOUT PRIOR WRITTEN PERMISSION. PDWG:NO: 0482-1		深圳市步步精科技有限公司 .X: ±0.38 .X': ±3" .XX: ±0.25 .X'': ±2" .XXX: ±0.13 .XX': ±1"	
NAME: TYPE-C 16PIN 母座 直立式 端子SMT 四脚插 带柱 H=6.40		PJ. NO.: UC.01.61-1W-0006	
APPD. JM_Zheng	SIZE: A4 DRW NO.:		
CHKD. LYX	FINISH: SEE NOTES MAT'L.: SEE NOTES		
DR. TSP	SCALE: N/A	REV.: A1	UNIT: mm PAGE: 2/2