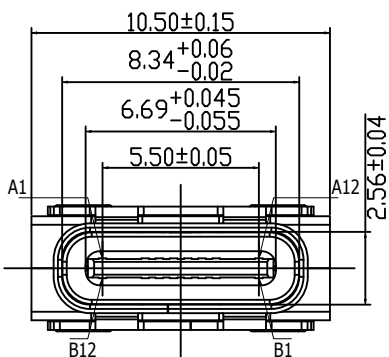
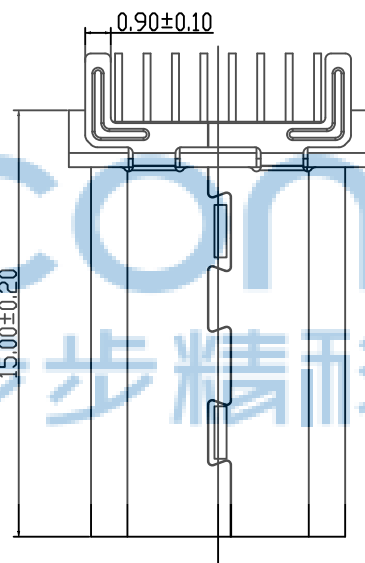
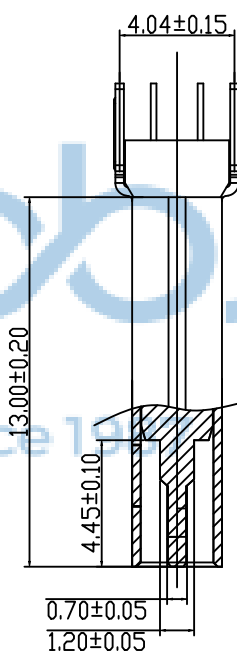
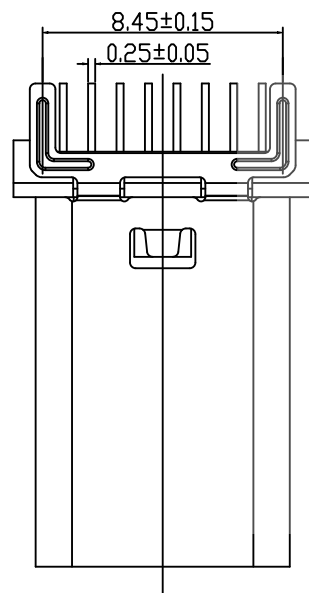
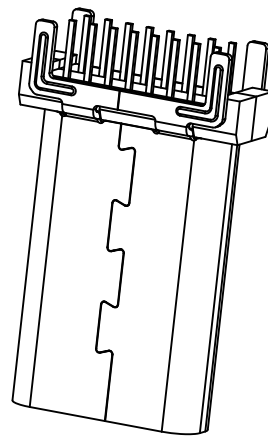


RECOMMENDED P.C.B. LAYOUT
TOLERANCE UNSPECIFIED ±0.05mm



REV.	ECN NO	CONTENT	DATE	ENGINEER
A0				

特性:

- 电气性能: ELECTRICAL
 - 额定电流: 5.0A
 - 接触阻抗: 40 MILLIOHMS MAX
 - 耐电压: 150V AC / 1 mA MAX
 - 绝缘阻抗: 150V DC/100 MEGA OHMS MIN
- 机械性能:
 - 插入力: 5~20N
 - 拨出力: 8~20N
 - 使用寿命: 10000次、拨出力 5N MIN
- 材料: MATERIAL
 - 塑胶: LCP UL94V-0
 - 端子: C7025/C1814 T=0.15MM
 - 外壳: SUS304 T=0.30MM
 - 卡勾: SUS301 T=0.15MM
- 电镀: FINISH
 - 端子: 接触点镀金1U~MIN
PIN脚焊接区域镀金1U~MIN.
 - 外壳: 镀镍80U~MIN (盐雾48H)
- 电镀品需做粘锡测试: 粘锡面积达到95%以上.
- SMT回流焊 (峰值260° C±5° C) 不能起泡、熔胶、变色不良 (变形在公差范围以内)
- 工作温度: -55° C~+85° C
- 盐雾测试: 通过48H在浓度为5±1%盐水的盐雾测试无生锈现象



USB TYPE-C PIN ASSIGNMENTS

PIN NUMBER	A1	A2	A3	A4	A5	A6	A7	A8	A9	A10	A11	A12
SIGNAL NAME	GND			VBUS	CC1	Dp1	Dn1	SBU1	Vbus			GND
PIN NUMBER	B12	B11	B10	B9	B8	B7	B6	B5	B4	B3	B2	B1
SIGNAL NAME	GND			Vbus	SBU2	Dn2	Dp2	CC2	Vbus			GND

THIS DOCUMENT IS THE SOLE PROPERTY OF BBJconn Technology Co.,Ltd. Corporation AND SHOULD NOT BE USED IN WHOLE OR IN PART WITHOUT PRIOR WRITTEN PERMISSION.

PDWG.NO: 0482-1

DR. TSP

APPD. JM_Zheng

CHKD. LYX

NAME: TYPE-C 16PIN 母座 直立式 四脚插 端子DIP H=15.0 LCP黑胶 过140W功率

PJ. NO.: UC.01.61-4W-0006

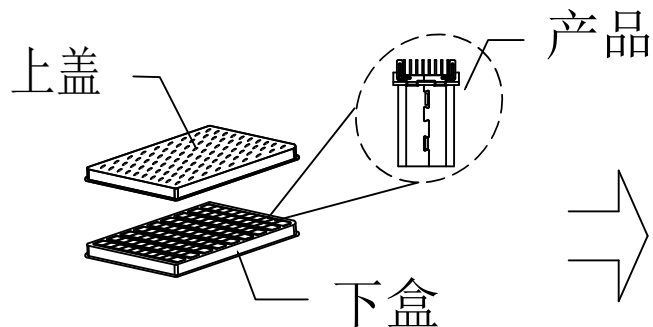
SIZE: A4 DRW NO.:

FINISH: SEE NOTES MAT'L.: SEE NOTES

SCALE: N/A REV.: A0 UNIT: mm PAGE: 1/2

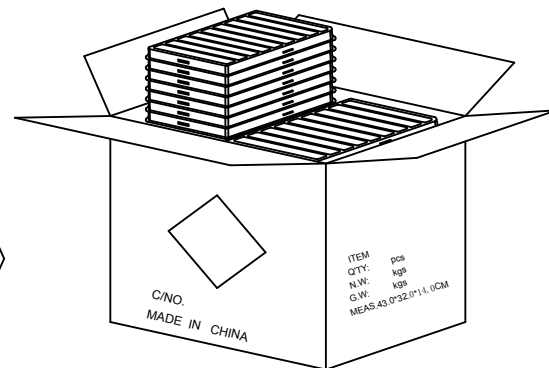


REV.	ECN NO	CONTENT	DATE	ENGINEER
AO				



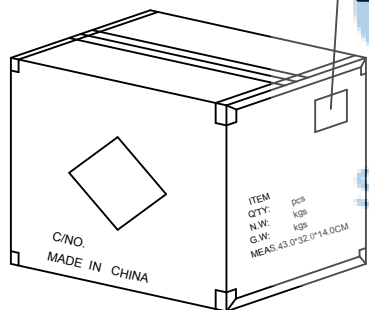
① PE真空盒(1Set).

② 100Pcs/盒

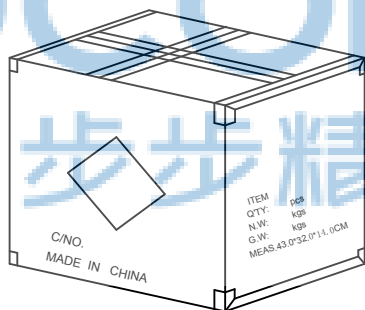


③ 50盒/箱 (5K).

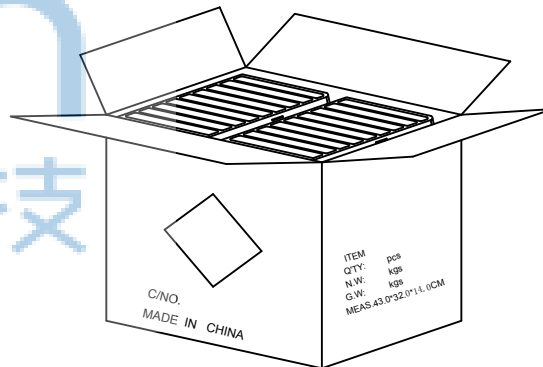
外箱物料标签



⑥ 依图示粘贴产品或ROHS标签.



⑤ 外箱用透明胶纸带封“十”字型.



④ 每箱平放25盒*2,一排25盒最上面盖一个上盖,若尾数箱在空间处加装填充物.



备注:

1. PE真空盒1Set
2. 每盒装成品100Pcs, 每排装满25盒上面盖一个盖子。
3. 每箱装50盒 (5K) ;
4. 外箱尺寸与规格: 43*32*14cm
5. 外箱用透明胶纸带封“十”字型;

THIS DOCUMENT IS THE SOLE PROPERTY OF BBJconn Technology Co.,Ltd. Corporation AND SHOULD NOT BE USED IN WHOLE OR IN PART WITHOUT PRIOR WRITTEN PERMISSION.		深圳市步步精科技有限公司 .X: ±0.38 .X': ±3" .XX: ±0.25 .X'': ±2" .XXX: ±0.13 .XX': ±1"		NAME: TYPE-C 16PIN 母座 直立式 四脚插 端子DIP H=15.0 LCP黑胶 过140W功率 PJ. NO.: UC.01.61-4W-0006 SIZE: A4 DRW NO.: FINISH: SEE NOTES MAT'L.: SEE NOTES SCALE: N/A REV.: AO UNIT: mm PAGE: 2/2	
APPD.	JM_Zheng				
CHKD.	LYX				
DR.	TSP				