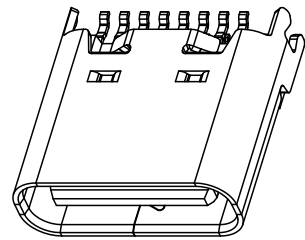
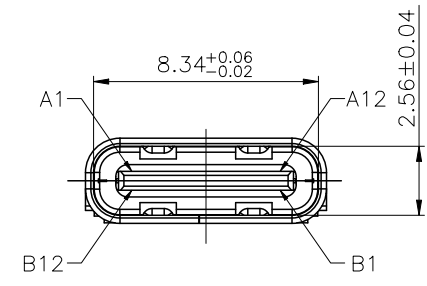
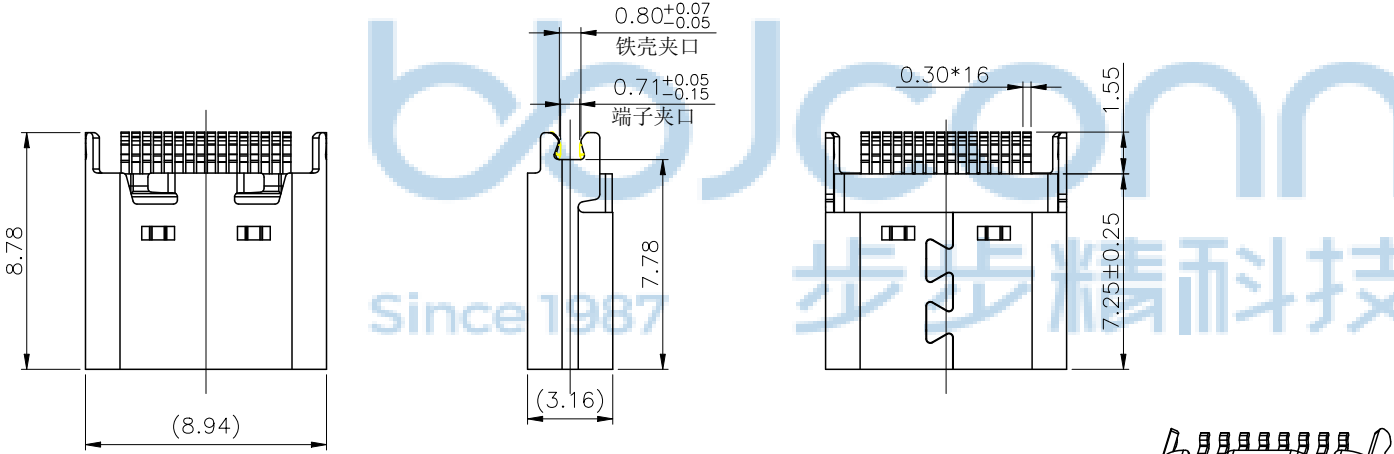
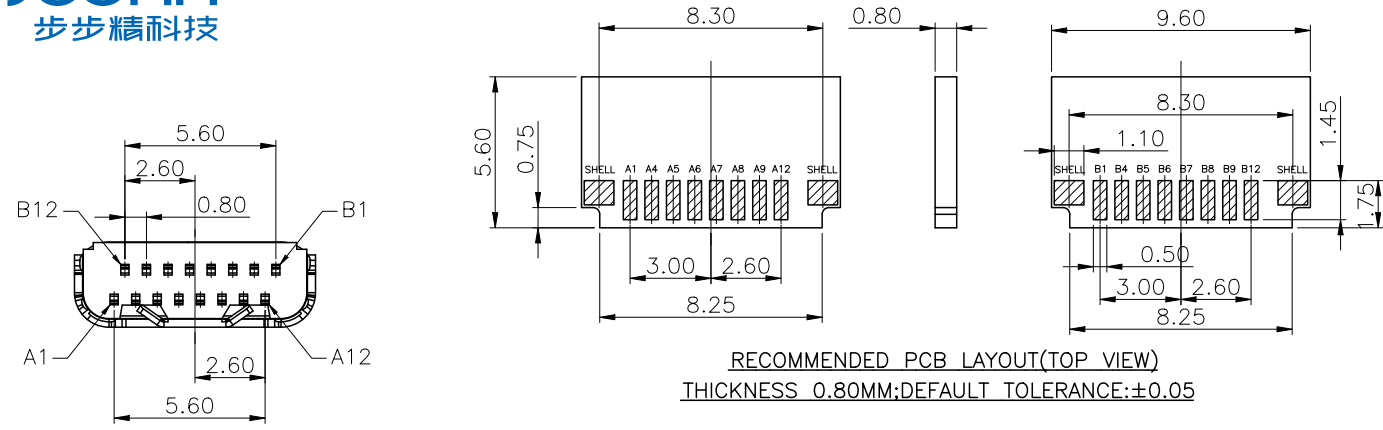


REV	ECN NO	CONTENT	DATE	ENGINEER
A0		INITIAL RELEASE	/	SGF



- 特性:
- 一、电气性能: ELECTRICAL
    1. 额定电流: 5.0A
    2. 接触阻抗: 40 MILLIOHMS MAX
    3. 耐电压: 100V AC / 1 mA MAX
    4. 绝缘阻抗: 150V DC/100 MEGA OHMS MIN
  - 二、机械性能: MECHANICAL
    1. 插入力: 5~20N
    2. 拨出力: 8~20N
    3. 使用寿命: 10000次、拨出力 6N~20N
  - 三、材料: MATERIAL
    1. 塑胶: LCP UL94V-0
    2. 端子: C7025 T=0.20MM
    3. 外壳: SUS201 T=0.30MM
    4. 卡勾: SUS301 T=0.15MM
  - 四、电镀: FINISH
    1. 端子: 接触点镀金3U"MIN  
PIN脚焊接区域镀金1U"MIN.
    2. 外壳: 镀镍80U"MIN (盐雾24H)
  - 五、电镀品需做粘锡测试: 粘锡面积达到95%以上。
  - 六、SMT回流焊 (峰值260° C±5° C) 不能起泡、熔胶、变色不良 (变形在公差范围以内)
  - 七、工作温度: -25° C~+85° C

USB TYPE-C 16PIN PIN ASSIGNMENTS

PIN NUMBER	A1	A2	A3	A4	A5	A6	A7	A8	A9	A10	A11	A12
SIGNAL NAME	GND			Vbus	CC1	Dp1	Dn1	SBU1	Vbus			GND
PIN NUMBER	B12	B11	B10	B9	B8	B7	B6	B5	B4	B3	B2	B1
SIGNAL NAME	GND			Vbus	SBU2	Dn2	Dp2	CC2	Vbus			GND

THIS DOCUMENT IS THE SOLE PROPERTY OF BBJconn Technology Co.,Ltd. Corporation AND SHOULD NOT BE USED IN WHOLE PRIOR WRITTEN PERMISSION.

PDWG NO: 0482-1

**深圳市步步精科技有限公司**

NAME: TYPE-C 16P 母座 夹板0.8 L=7.25 带中夹片 端子C7025 LCP黑胶 管装

PJ NO: 126-22A-160001-H8G

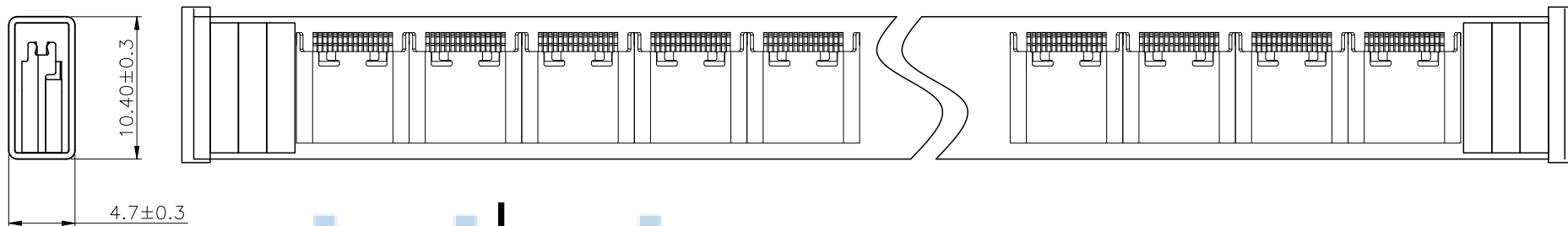
SIZE:A4 | DRW NO:

FINISH:SEE NOTES | MAT'L:SEE NOTES

SCALE:N/A | REV:A0 | UNIT:mm | PAGE:1/2

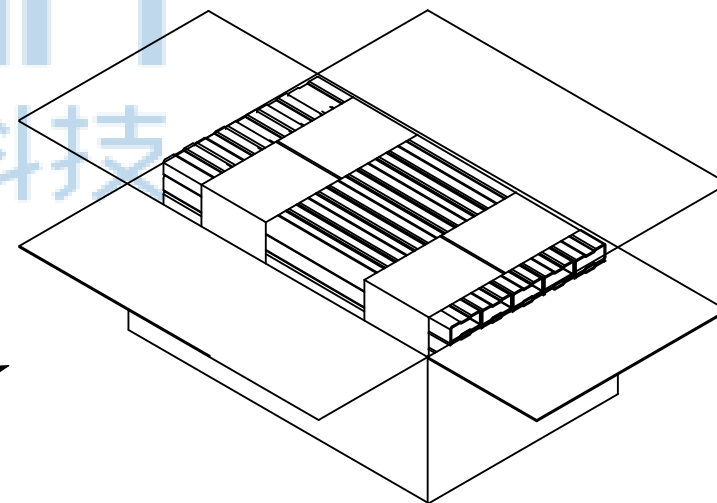
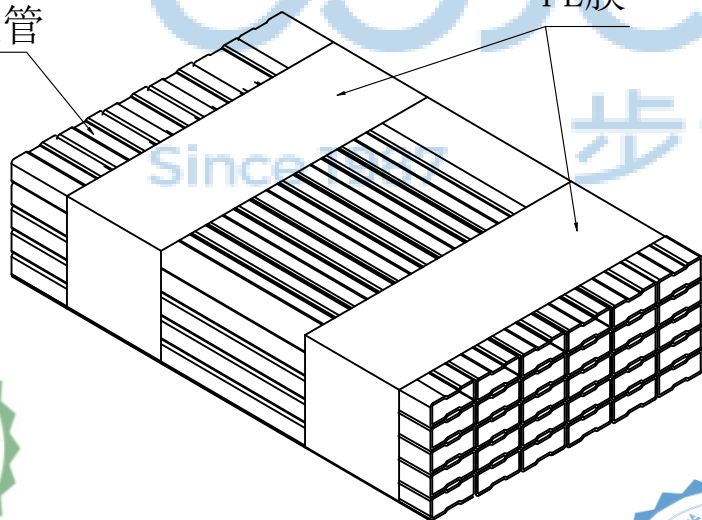
REV	ECN NO	CONTENT	DATE	ENGINEER
A0		INITIAL RELEASE	/	SGF

每管装50PCS.



包装管

PE膜



每捆40根(2K产品)用PE膜缠紧

THIS DOCUMENT IS THE  
SOLE PROPERTY OF  
BBJconn Technology Co.,Ltd.  
Corporation AND SHOULD  
NOT BE USED IN WHOLE  
PRIOR WRITTEN PERMISSION.  
PDWG NO: 0482-1

**深圳市步步精科技有限公司**

.X: ±0.38	.XX: ±0.25	.XXX: ±0.13	X': ±3'	.X': ±2'	.XX': ±1'
APPD	JM_Zheng				
CHKD	LYX				
DR	SGF				

NAME: TYPE-C 16P 母座 夹板0.8 L=7.25 带中夹片 端子C7025 LCP黑胶 管装			
PJ NO: 126-22A-160001-H8G		SIZE:A4   DRW NO:	
FINISH:SEE NOTES		MAT'L:SEE NOTES	
SCALE:N/A	REV:A0	UNIT:mm	PAGE:2/2