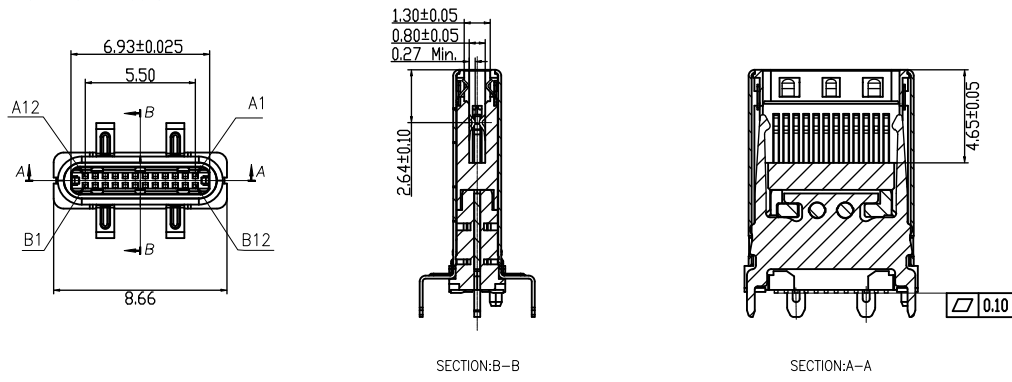


REV.	ECN NO.	CONTENT	DATE	ENGINEER
A0		Initial release	/	



特性:

一、电气性能: ELECTRICAL

1. 额定电流: 3.0A
2. 接触阻抗: 50 MILLIOHMS MAX
3. 耐电压: 100V AC / 1 mA MAX
4. 绝缘阻抗: 150V DC/100 MEGA OHMS MIN

二、机械性能: MECHANICAL

1. 插入力: 0.5~2.0 KGF
2. 拔出力: 0.8~2.0 KGF
3. 使用寿命: 10000次

三、材料: MATERIAL

1. 塑胶: LCP UL94V-0
2. 端子: C7025 T=0.15MM
3. 外壳: SUS304 T=0.30MM
4. 卡勾: SUS301 T=0.30MM

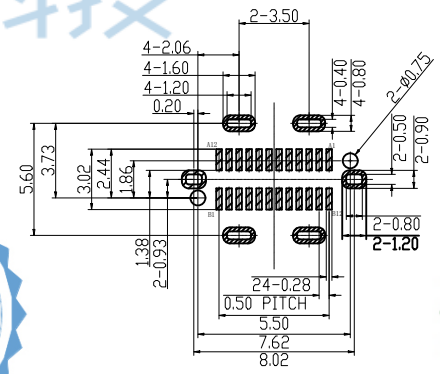
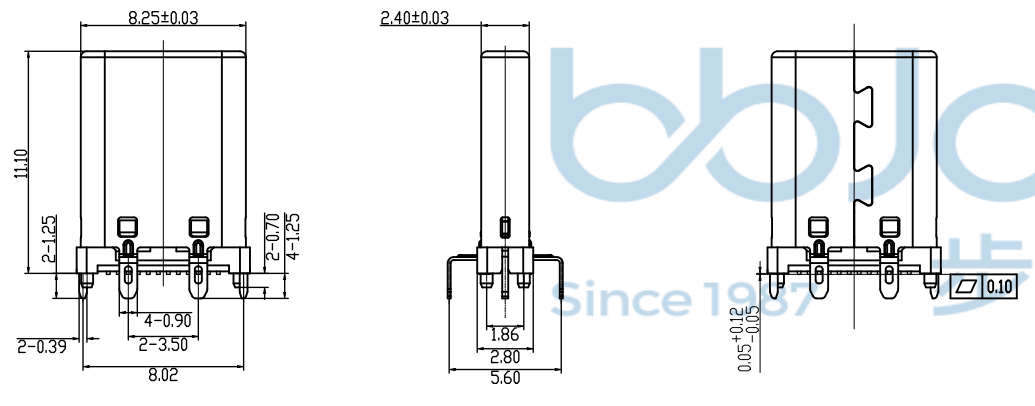
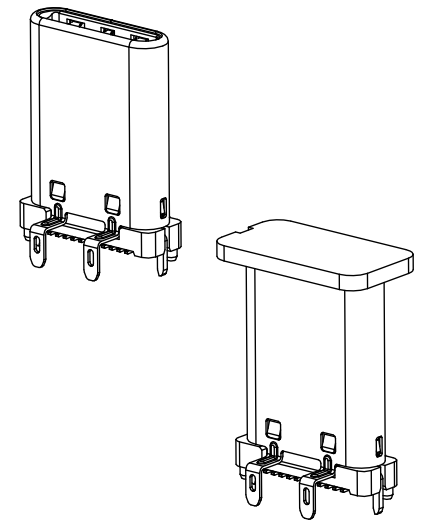
四、电镀: FINISH

1. 端子: 接触点镀金3U"MIN  
PIN脚焊接区域镀锡80U"MIN.
2. 外壳: 镀镍30U"MIN (盐雾48H)

五、电镀品需做粘锡测试: 粘锡面积达到95%以上。

六、SMT回流焊 (峰值260° C±5° C) 不能起泡、熔胶、变色不良 (变形在公差范围以内)

七、工作温度: -25° C~+85° C



USB TYPE-C PIN ASSIGNMENTS

PIN NUMBER	A1	A2	A3	A4	A5	A6	A7	A8	A9	A10	A11	A12
SIGNAL NAME	GND	SSTXp1	SSTXn1	Vbus	CC1	Dp1	Dn1	SBU1	Vbus	SSRXn2	SSRXp2	GND
PIN NUMBER	B12	B11	B10	B9	B8	B7	B6	B5	B4	B3	B2	B1
SIGNAL NAME	GND	SSRXp1	SSRXn1	Vbus	SBU2			CC2	Vbus	SSTXn2	SSTXp2	GND

THIS DOCUMENT IS THE SOLE PROPERTY OF BBJconn Technology Co., Ltd. Corporation AND SHOULD NOT BE USED IN WHOLE OR IN PART WITHOUT PRIOR WRITTEN PERMISSION.

PDWG.NO: 0482-1

深圳市步步精科技有限公司

NAME: USB 3.1 TYPE-C 24P 公头 直立式 H=11.15 铆合款 四脚插 带柱 端子SMT 接触镀金3u" 带EMI弹片 加盖 编带

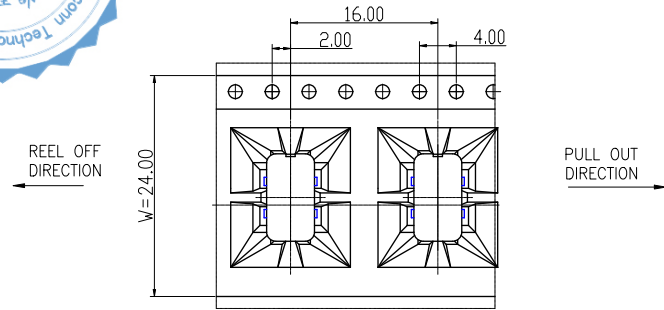
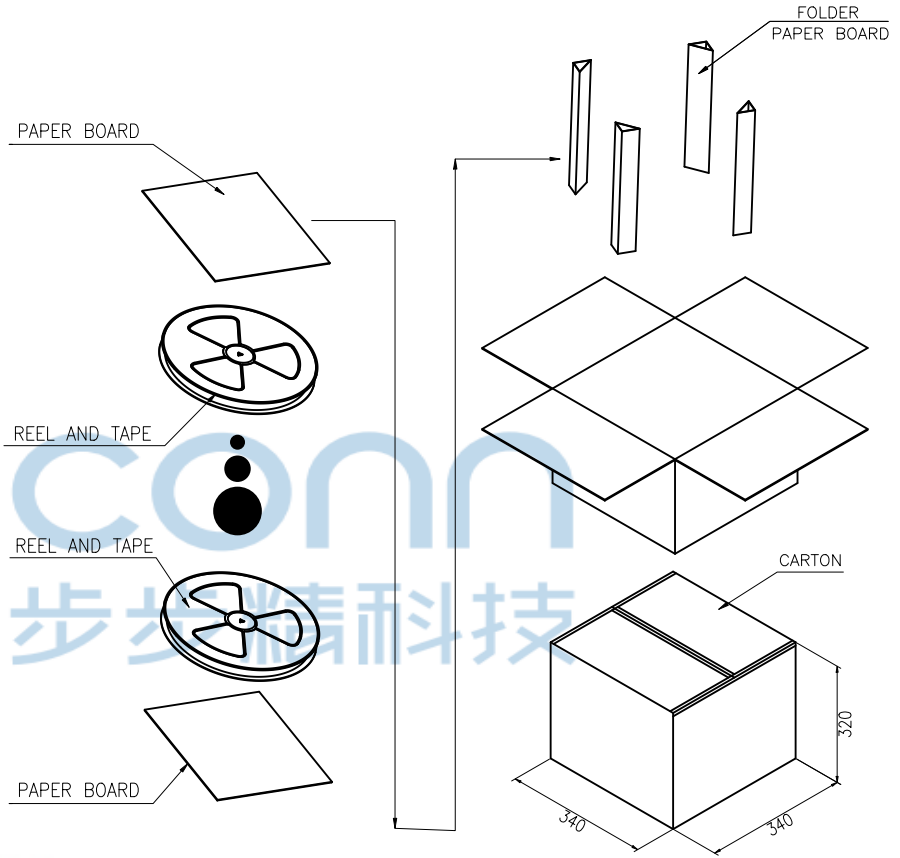
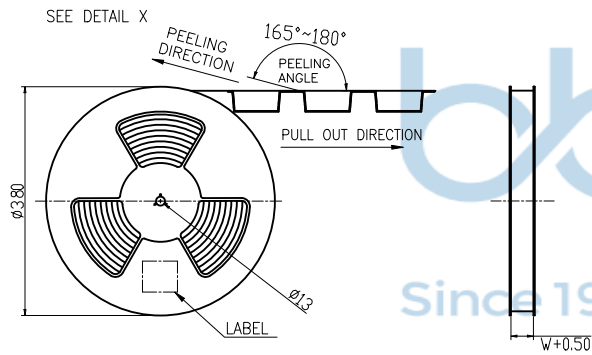
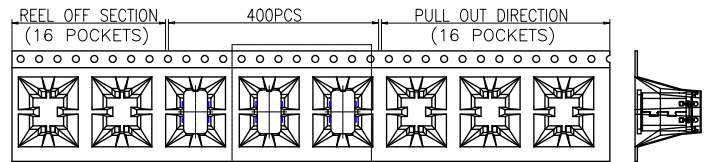
PJ. NO.: 126-124-240002-H8G

SIZE: A4 | DRW NO.:

FINISH: SEE NOTES | MAT'L.: SEE NOTES

SCALE: N/A | REV.: A0 | UNIT: mm | PAGE: 1/2

REV.	ECN NO.	CONTENT	DATE	ENGINEER
A0		Initial release	/	



	REEL/TRAY	CARTON
CONNECTOR (PCS)	400	4000

THIS DOCUMENT IS THE SOLE PROPERTY OF BBJconn Technology Co.,Ltd. Corporation AND SHOULD NOT BE USED IN WHOLE OR IN PART WITHOUT PRIOR WRITTEN PERMISSION.

PDWG.NO: 0482-1

**深圳市步步精科技有限公司**

.X: ±0.38	X': ±3'	NAME: USB 3.1 TYPE-C 24P 公头 直立式 H=11.15 铆合款 四脚插 带柱 端子SMT 接触镀金3u" 带EMI弹片 加盖 编带
.XX: ±0.25	.X': ±2'	
.XXX: ±0.13	.XX': ±1'	

APPD. JM_Zheng	PJ. NO.: 126-124-240002-H8G SIZE: A4   DRW NO.:	
CHKD. LYX		
DR.	FINISH: SEE NOTES	MAT'L.: SEE NOTES
	SCALE: N/A	REV.: A0
	UNIT: mm	PAGE: 2/2