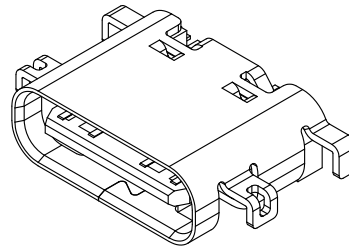
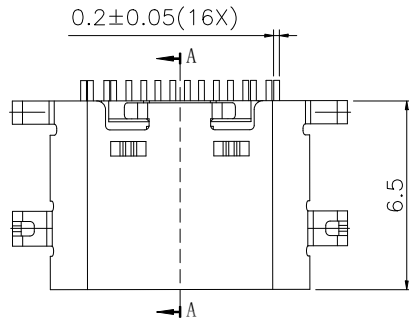


REV	ECN NO	CONTENT	DATE	ENGINEER
AO		INITIAL RELEASE	/	SGF



技术参数 Specifications:

1. 电气特性: Electrical:

1.1 额定电流: Current Rating  
3.0A/contact terminal

1.2 额定电压: Voltage Rating  
5.0V DC

1.3 接触阻抗: Contact Resistance  
40 mΩ MAX  
Shield: 50 mΩ MAX

1.4 耐电压: Dielectric Withstanding Voltage:  
100 V AC AT Sea Level

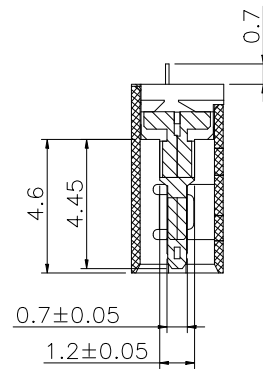
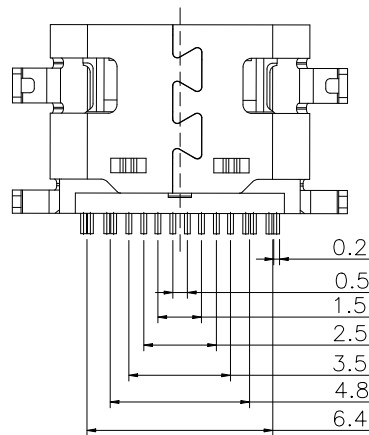
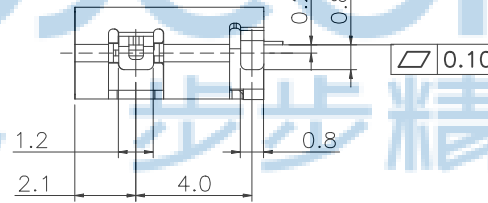
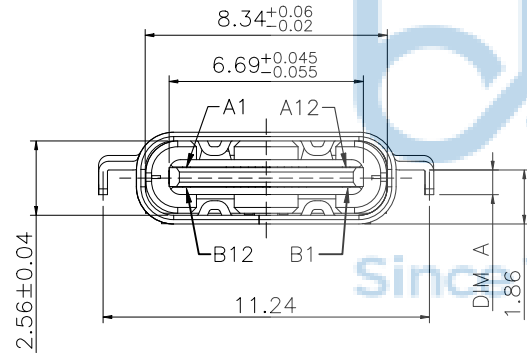
1.5 绝缘阻抗: Insulation Resistance:  
100MΩ MIN

1.6 工作温度: Operating Temperature: -25° C~+85° C.

2. 机械性能: Mechanical:

2.1 插拔力: Connector Mate and Unmate Force  
Mate force: 5~20N  
Unmate force: 8~20N

2.2 耐久性: Durability: 10000 Cycles



序号	产品名称	材料规格	表面处理/颜色	数量
1	塑胶	LCP	黑色	1
2	端子	铜合金	镀金3U	1
3	外壳	不锈钢	镀镍	1
4	中夹片	不锈钢	/	1

THIS DOCUMENT IS THE  
SOLE PROPERTY OF  
BBJconn Technology Co.,Ltd.  
Corporation AND SHOULD  
NOT BE USED IN WHOLE  
PRIOR WRITTEN PERMISSION.

**深圳市步步精科技有限公司**

.X: ±0.38 X': ±3'  
.XX: ±0.25 .X': ±2'  
.XXX: ±0.13 .XX': ±1'

NAME: TYPE-C 16P 母座 四脚插 沉板 1.86 L=6.5  
CH=0.29 端子SMT 编带

APPD JM\_Zheng

PJ NO: 126-221-160015-H8G

CHKD LYX

SIZE:A4 DRW NO:

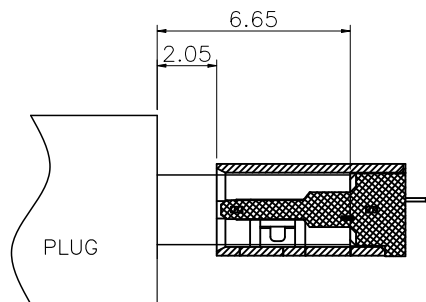
DR SGF

FINISH:SEE NOTES MAT'L:SEE NOTES

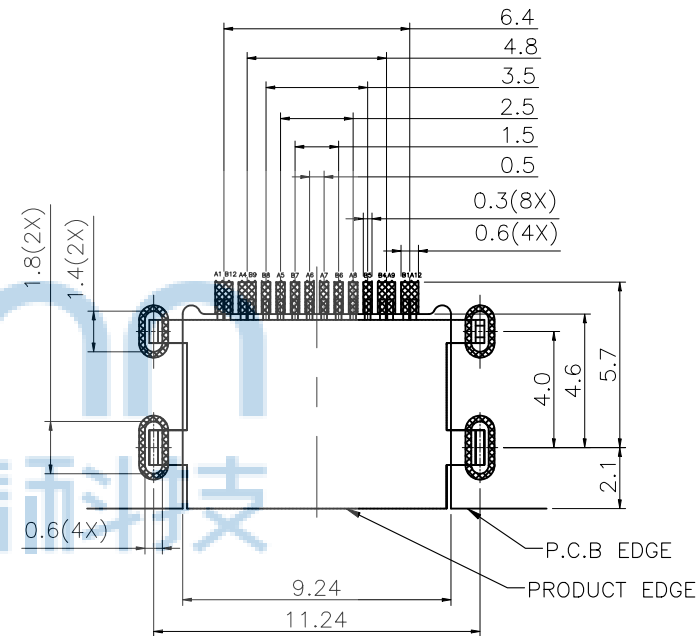
PDWG NO: 0482-1

SCALE:N/A REV:AO UNIT:mm PAGE:1/3

SECTION:A-A



AFTER MATING



RECOMMENDED PCB LAYOUT(TOP VIEW)  
THICKNESS 0.80MM;DEFAULT TOLERANCE:±0.05

USB TYPE-C PIN ASSIGNMENTS

PIN NUMBER	SIGNAL NAME	PIN NUMBER	SIGNAL NAME
A1	GND	B12	GND
A4	VBUS	B9	VBUS
A5	CC1	B8	SBU2
A6	Dp1	B7	Dn2
A7	Dn1	B6	Dp2
A8	SBU1	B5	CC2
A9	VBUS	B4	VBUS
A12	GND	B1	GND

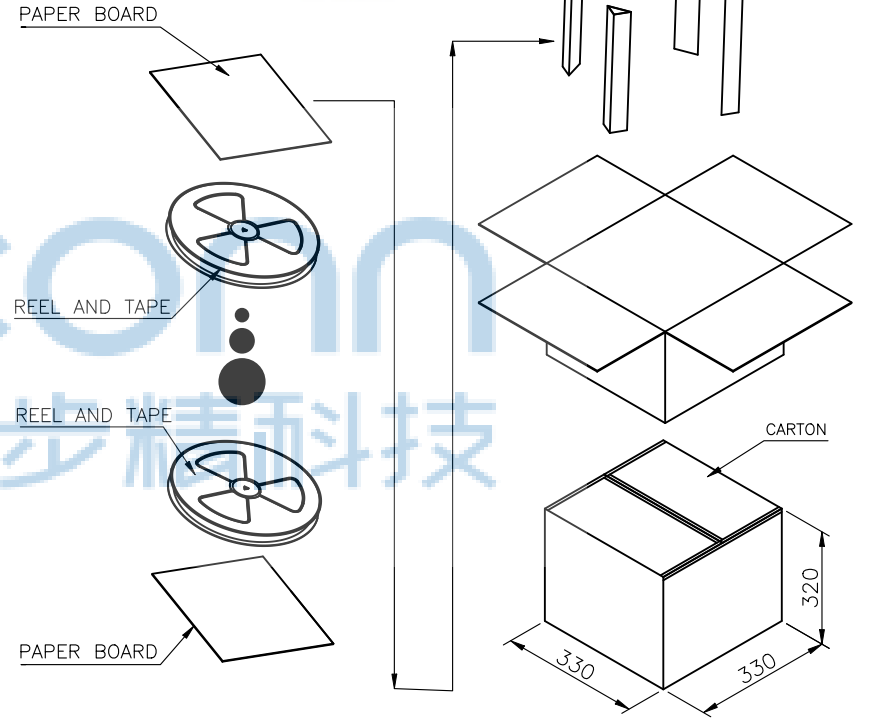
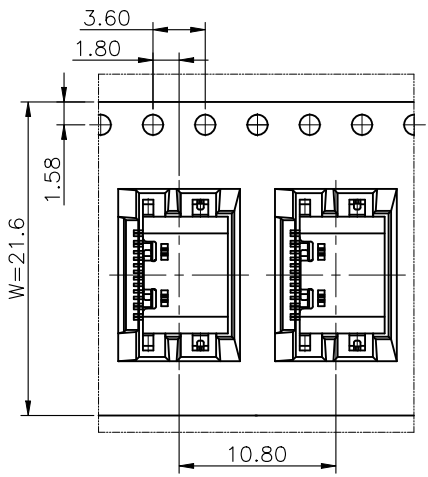
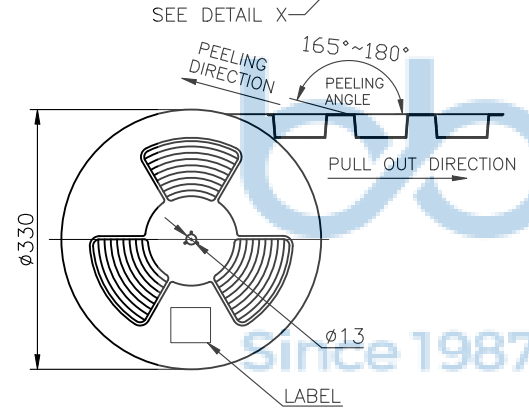
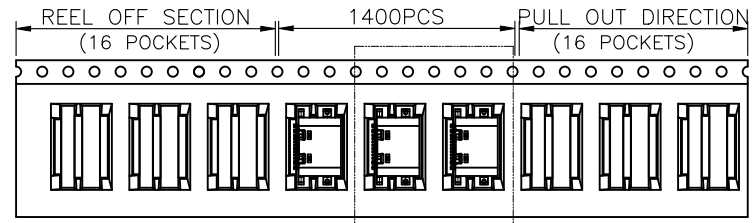
TABLE 1

ITEM	HOUSING COLOR	FUNCTIONAL AREA	SOLDER AREA	
DIM A	BLACK	Au:3u"	Au:G/F	0.85
	BLACK	Au:3u"	Au:G/F	0.55



THIS DOCUMENT IS THE SOLE PROPERTY OF BBJconn Technology Co.,Ltd. Corporation AND SHOULD NOT BE USED IN WHOLE PRIOR WRITTEN PERMISSION.		深圳市步步精科技有限公司 .X: ±0.38    .XX: ±0.25    .XXX: ±0.13 X': ±3'    X'': ±2'    X''': ±1'		NAME: TYPE-C 16P 母座 四脚插 沉板1.86 L=6.5 CH=0.29 端子SMT 编带 PJ NO: 126-221-160015-H8G SIZE:A4   DRW NO:	
APPD	JM_Zheng			FINISH:SEE NOTES    MAT'L:SEE NOTES SCALE:N/A    REV:A0    UNIT:mm    PAGE:2/3	
CHKD	LYX	DR	SGF		
PDWG NO: 0482-1					

REV	ECN NO	CONTENT	DATE	ENGINEER
AO		INITIAL RELEASE	/	SGF



	REEL	CARTON
CONNECTOR (PCS)	1400	14000



THIS DOCUMENT IS THE SOLE PROPERTY OF BBJconn Technology Co.,Ltd. Corporation AND SHOULD NOT BE USED IN WHOLE PRIOR WRITTEN PERMISSION.

PDWG NO: 0482-1

**深圳市步步精科技有限公司**

.X: ±0.38	X': ±3'	NAME: TYPE-C 16P 母座 四脚插 沉板 1.86 L=6.5 CH=0.29 端子SMT 编带
.XX: ±0.25	.X': ±2'	
.XXX: ±0.13	.XX': ±1'	
APPD	JM_Zheng	PJ NO: 126-221-160015-H8G
CHKD	LYX	SIZE:A4   DRW NO:
DR	SGF	FINISH:SEE NOTES   MAT'L:SEE NOTES
		SCALE:N/A   REV:A0   UNIT:mm   PAGE:3/3