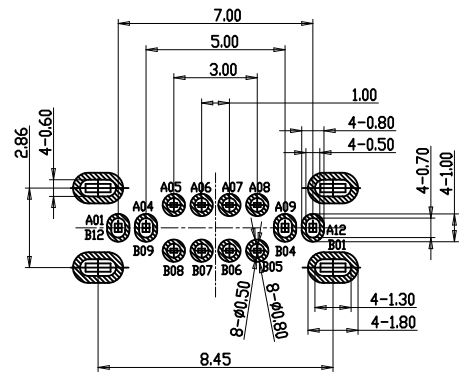
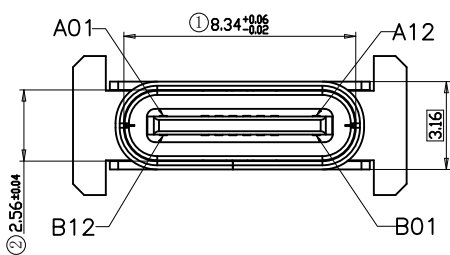


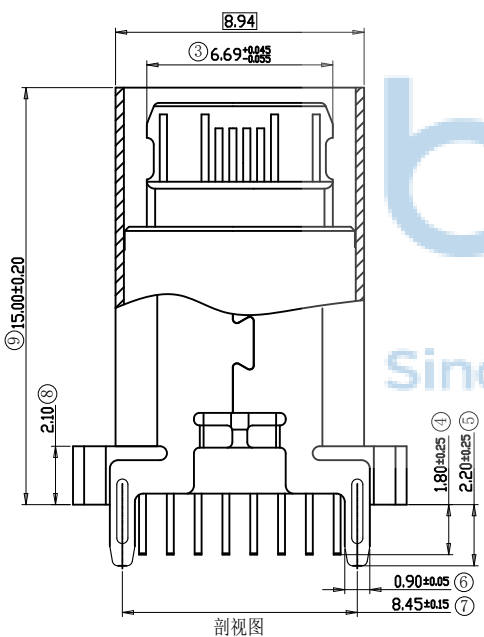
REV.	ECN NO.	CONTENT	DATE	ENGINEER
A0				



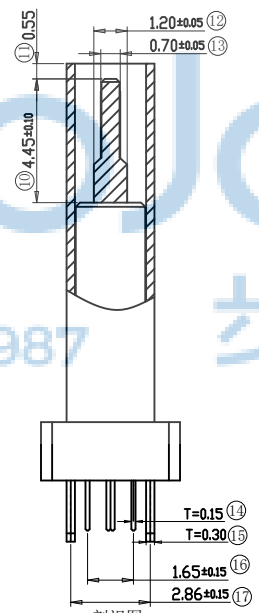
RECOMMENDED P.C.B. LAYOUT (T:1.00mm)  
TOLERANCE UNSPECIFIED ±0.05mm



- 特性:
- 一、电气性能: ELECTRICAL
    1. 额定电流: 5.0A
    2. 接触阻抗: 40 MILLIOHMS MAX
    3. 耐电压: 150V AC / 1 mA MAX
    4. 绝缘阻抗: 150V DC/100 MEGA OHMS MIN
  - 二、机械性能:
    1. 插入力: 5~20N
    2. 拔出力: 8~20N
    3. 使用寿命: 10000次、拔出力 5N MIN
  - 三、材料: MATERIAL
    1. 塑胶: LCP
    2. 端子: C7025/C1814 T=0.15MM
    3. 外壳: SUS304 T=0.30MM
    4. 卡勾: SUS304 T=0.15MM
  - 四、电镀: FINISH
    1. 端子: 接触点镀金3U"MIN  
PIN脚焊接区域镀金1U"MIN.
    2. 外壳: 镀镍80U"MIN (盐雾48H)
  - 五、电镀品需做粘锡测试: 粘锡面积达到95%以上。
  - 六、SMT回流焊 (峰值260° C±5° C) 不能起泡、熔胶、变色不良 (变形在公差范围以内)
  - 七、工作温度: -55° C~+85° C
  - 八、盐雾测试: 通过48H在浓度为5±1%盐水的盐雾测试无生锈现象



剖视图

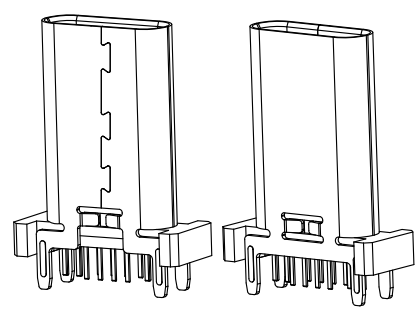
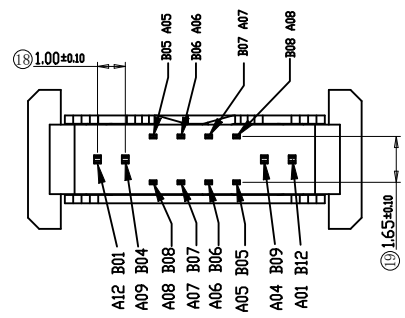


剖视图



126-225-160011-H8G

A1	GND	B12	GND
A4	VBUS	B9	VBUS
A5	CC1	B8	SBU2
A6	D+	B7	D-
A7	D-	B6	D+
A8	SBU1	B5	CC2
A9	VBUS	B4	VBUS
A12	GND	B1	GND
PIN	SIGNAL NAME	PIN	SIGNAL NAME



THIS DOCUMENT IS THE SOLE PROPERTY OF BBJconn Technology Co.,Ltd. Corporation AND SHOULD NOT BE USED IN WHOLE OR IN PART WITHOUT PRIOR WRITTEN PERMISSION. PDWG.NO: 0482-1

**深圳市步步精科技有限公司**

NAME: TYPE-C 16P 母座 直立式 四脚插 端子DIP H=15.0 不锈钢外壳 LCP灰胶

APPD. JM\_Zheng

CHKD. LYX

DR. TSP

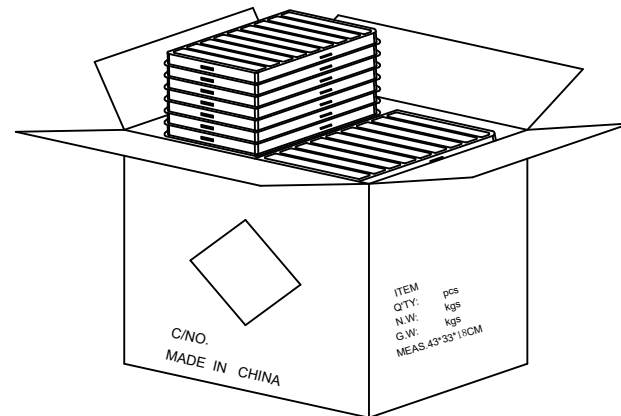
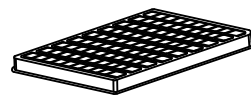
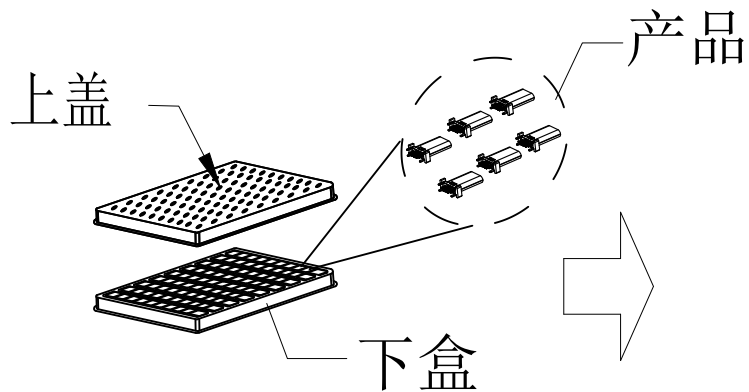
PJ. NO.: 126-225-160011-H8G

SIZE: A4 DRW NO.:

FINISH: SEE NOTES MAT'L.: SEE NOTES

SCALE: N/A REV.: A0 UNIT: mm PAGE: 1/2

REV.	ECN NO.	CONTENT	DATE	ENGINEER
AO				

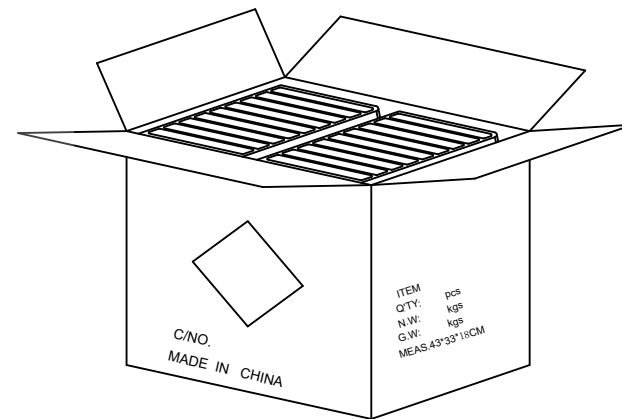
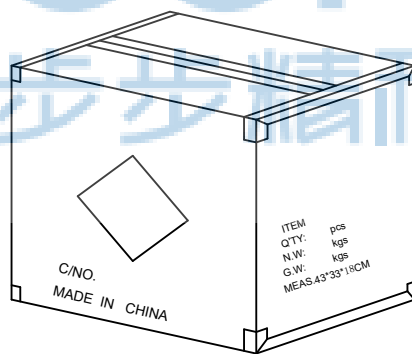
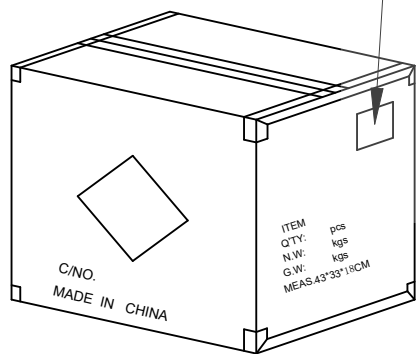


① PE真空盒(1Set).

② 100Pcs/盒

③ 50盒/箱(5k).

外箱物料标签



⑥ 依图示粘贴产品或ROHS标签.

⑤ 外箱用透明胶纸带封“工”字型.

④ 每箱横放25盒\*2, 若尾数箱在空间处加装填充物.



- 备注:
1. PE真空盒1set
  2. 每盒装成品100Pcs
  3. 每箱数量5K
  4. 外箱尺寸与规格: 43\*33\*18CM
  5. 外箱用透明胶纸带封“工”字型;

THIS DOCUMENT IS THE SOLE PROPERTY OF BBJconn Technology Co.,Ltd.		<b>深圳市步步精科技有限公司</b>	
CORPORATION AND SHOULD NOT BE USED IN WHOLE OR IN PART WITHOUT PRIOR WRITTEN PERMISSION.		.X: ±0.38 .XX: ±0.25 .XXX: ±0.13	X': ±3' .X': ±2' .XX': ±1'
APPD.	JM_Zheng	NAME: TYPE-C 16P 母座 直立式 四脚插 端子DIP H=15.0 不锈钢外壳 LCP灰胶	
CHKD.	LYX	PJ. NO.: 126-225-160011-H8G	
DR.	TSP	SIZE: A4 DRW NO.:	
PDWG.NO:	0482-1	FINISH: SEE NOTES MAT'L.: SEE NOTES	
		SCALE: N/A	REV.: AO UNIT: mm PAGE: 2/2