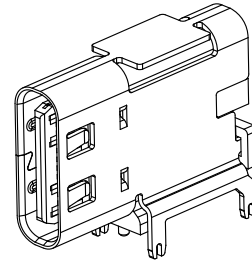
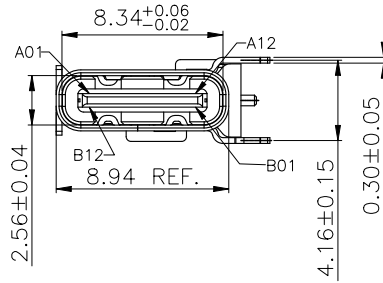
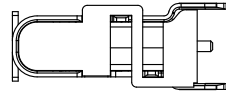


|     |        |                 |      |          |
|-----|--------|-----------------|------|----------|
| REV | ECN NO | CONTENT         | DATE | ENGINEER |
| A0  |        | INITIAL RELEASE | /    | SGF      |



特性:

一、电气性能: ELECTRICAL

1. 额定电流: 5.0A
2. 接触阻抗: 40 MILLIOHMS MAX
3. 耐电压: 150V AC / 1 mA MAX
4. 绝缘阻抗: 150V DC/100 MEGA OHMS MIN

二、机械性能: MECHANICAL

1. 插入力: 5~20N
2. 拨出力: 8~20N
3. 使用寿命: 10000次、拔出力 6N~20N

三、材料: MATERIAL

1. 塑胶: LCP UL94V-0
2. 端子: C18400 T=0.20MM
3. 外壳: SUS304 T=0.30MM
4. 卡勾: SUS304 T=0.30MM

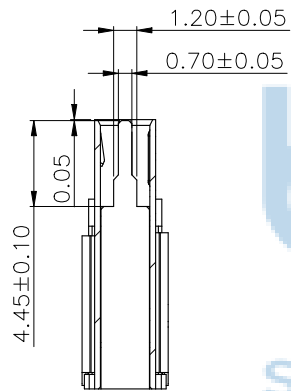
四、电镀: FINISH

1. 端子: 接触点镀金3U"MIN  
PIN脚焊接区域镀金1U"MIN.
2. 外壳: 镀镍50U"MIN (盐雾48H)

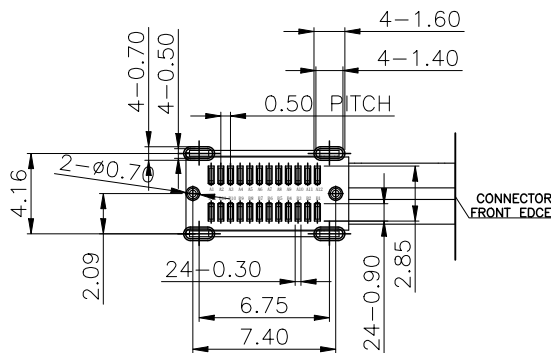
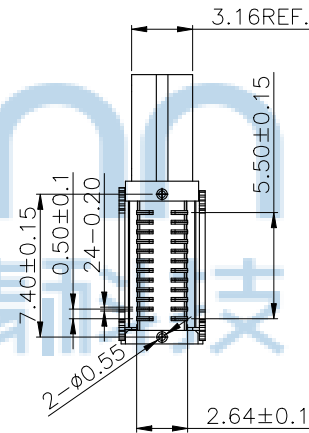
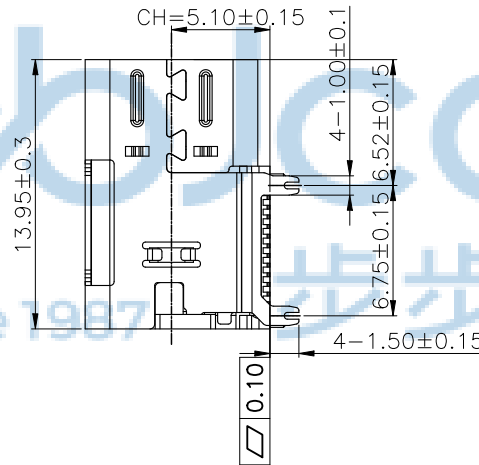
五、电镀品需做粘锡测试: 粘锡面积达到95%以上。

六、SMT回流焊 (峰值260° C±5° C) 不能起泡、熔胶、变色不良 (变形在公差范围以内)

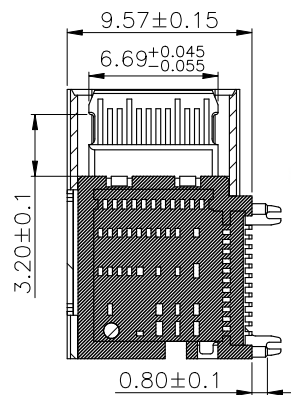
七、工作温度: -40° C~+85° C



剖视图



RECOMMENDED P.C.B. LAYOUT (T:1.00mm)  
TOLERANCE UNSPECIFIED ±0.05mm



剖视图



USB TYPE-C PIN ASSIGNMENTS

| PIN NUMBER  | A1  | A2     | A3     | A4   | A5   | A6  | A7  | A8   | A9   | A10    | A11    | A12 |
|-------------|-----|--------|--------|------|------|-----|-----|------|------|--------|--------|-----|
| SIGNAL NAME | GND | SSTXp1 | SSTXn1 | Vbus | CC1  | Dp1 | Dn1 | SBU1 | Vbus | SSRXn2 | SSRXp2 | GND |
| PIN NUMBER  | B12 | B11    | B10    | B9   | B8   | B7  | B6  | B5   | B4   | B3     | B2     | B1  |
| SIGNAL NAME | GND | SSRXp1 | SSRXn1 | Vbus | SBU2 | Dn2 | Dp2 | CC2  | Vbus | SSTXn2 | SSTXp2 | GND |

THIS DOCUMENT IS THE  
SOLE PROPERTY OF  
BBJconn Technology Co.,Ltd.  
Corporation AND SHOULD  
NOT BE USED IN WHOLE  
PRIOR WRITTEN PERMISSION.

**深圳市步步精科技有限公司**

.X: ±0.38 X': ±3'  
.XX: ±0.25 .X': ±2'  
.XXX: ±0.13 .XX': ±1'

NAME: TYPE-C 24P 母座 侧插 四脚插 鱼叉脚 端  
子SMT 带柱 L=13.95 CH=5.1 LCP黑胶 编带

APPD JM\_Zheng  
CHKD LYX

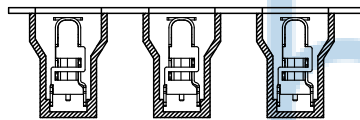
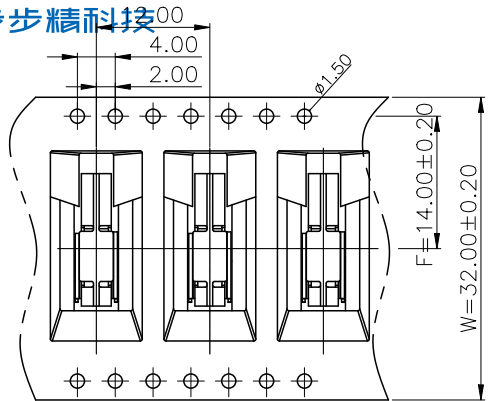
PJ NO: 126-227-240001-H8G  
SIZE:A4 | DRW NO:

PDWG NO: 0482-1

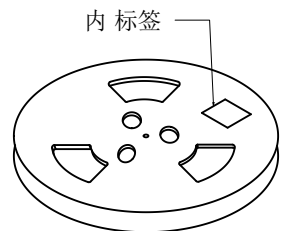
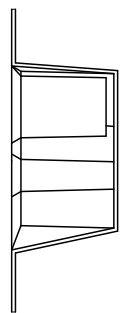
DR SGF

FINISH:SEE NOTES | MAT'L:SEE NOTES  
SCALE:N/A | REV:A0 | UNIT:mm | PAGE:1/2

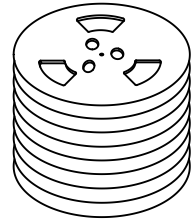
| REV | ECN NO | CONTENT         | DATE | ENGINEER |
|-----|--------|-----------------|------|----------|
| A0  |        | INITIAL RELEASE | /    | SGF      |



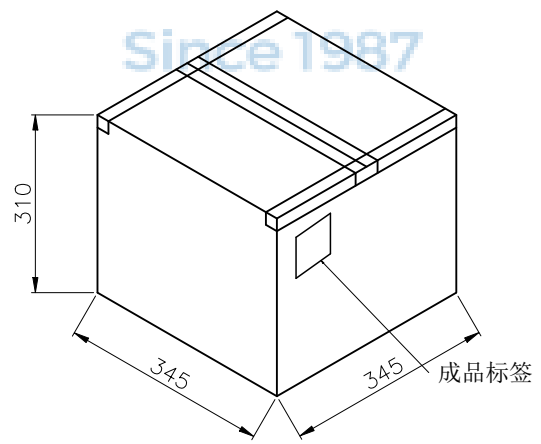
① 产品入载带示意图



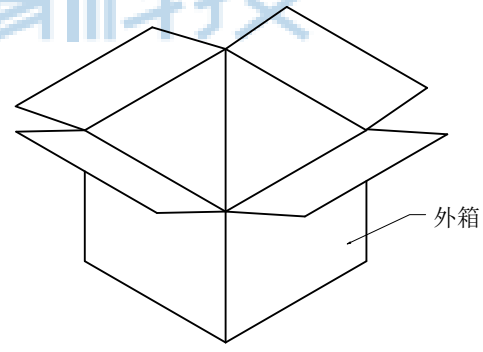
② 卷盘贴标签示意图



③ 8盘产品叠层示意图



⑤ 外箱封箱示意图



④ 产品入外箱示意图



- 包装说明:
1. 将检验好的成品;插板脚朝下放入载带底部;每卷装650PCS产品;具体如图一所示
  2. 将包装好的产品;每盘必需贴上内标签;具体如图二所示
  3. 将贴好内标签的产品每10盘叠;具体如图三图四所示 (3200PCS每箱)
  4. 装好后并封好纸箱及贴好相关标签;具体如图五所示;  
(产品包装的标签, 如客户有要求, 请按客户要求包装出货)
  5. 载带前面留10PCS空格, 后面留10PCS空格
  6. COVER与CARRY剥离力:50-125g, 速度:300mm/分钟左右, 剥离角度:165° -180°

|   |          |   |     |   |  |
|---|----------|---|-----|---|--|
| THIS DOCUMENT IS THE SOLE PROPERTY OF BBJconn Technology Co.,Ltd. Corporation AND SHOULD NOT BE USED IN WHOLE PRIOR WRITTEN PERMISSION. |          | 深圳市步步精科技有限公司<br>.X: ±0.38 X': ±3' .XX: ±0.25 X'': ±2' .XXX: ±0.13 .XX': ±1' |     | NAME: TYPE-C 24P 母座 侧插 四脚插 鱼叉脚 端子SMT 带柱 L=13.95 CH=5.1 LCP黑胶 编带<br>PJ NO: 126-227-240001-H8G<br>SIZE:A4   DRW NO: |  |
| APPD  | JM_Zheng | FINISH:SEE NOTES<br>SCALE:N/A   REV:A0                                      |     | MAT'L:SEE NOTES<br>UNIT:mm   PAGE:2/2   |  |
| CHKD  | LYX      | DR  | SGF |   |  |
| PDWG NO: 0482-1   |          |   |     |   |  |