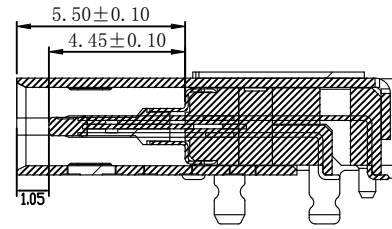
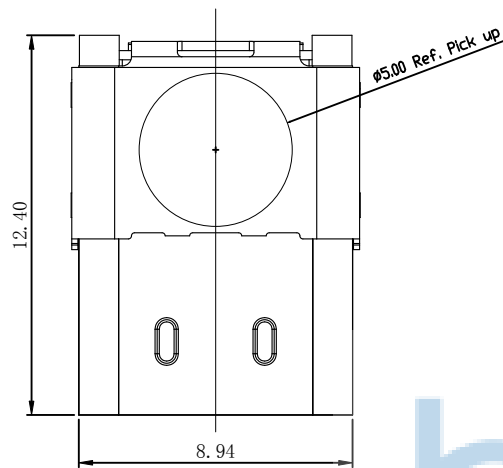


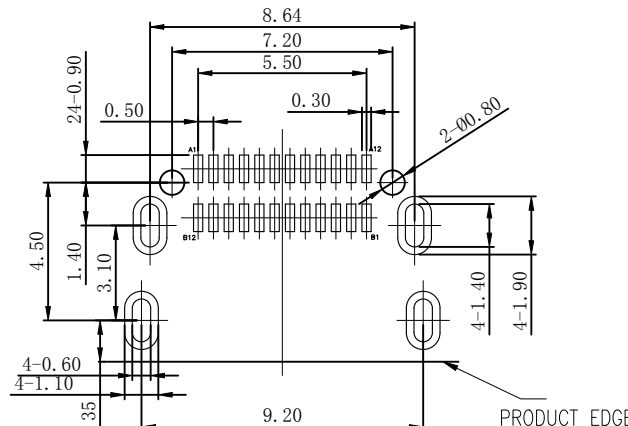
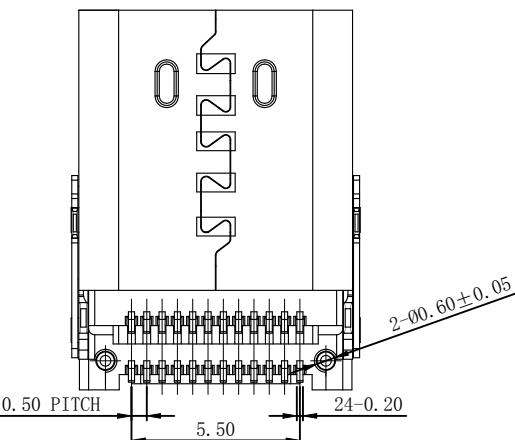
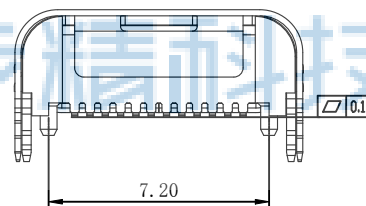
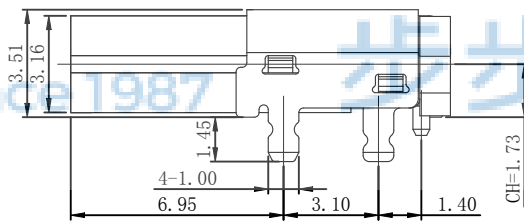
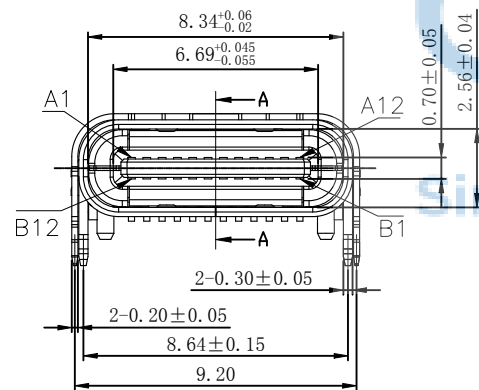
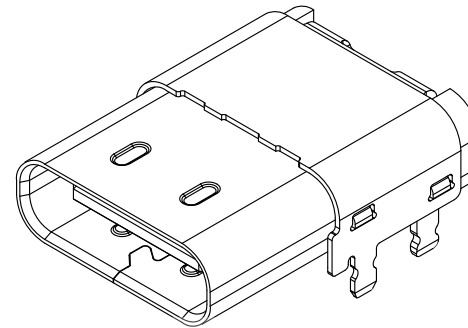
REV.	ECN NO	CONTENT	DATE	ENGINEER
A0		Initial release	/	TSP

特性:

- 一、电气性能: ELECTRICAL
 1. 额定电流: 5.0A
 2. 接触阻抗: 40 MILLIOHMS MAX
 3. 耐电压: 150V AC / 1 mA MAX
 4. 绝缘阻抗: 150V DC/100 MEGA OHMS MIN
- 二、机械性能: MECHANICAL
 1. 插入力: 5~20N
 2. 拨出力: 8~20N
 3. 使用寿命: 10000次、拨出力 5N MIN
- 三、材料: MATERIAL
 1. 塑胶: LCP UL94V-0
 2. 端子: C7025 T=0.15MM
 3. 外壳: SUS304 T=0.20MM/0.30MM
 4. 卡勾: SUS304 T=0.15MM
- 四、电镀: FINISH
 1. 端子: 接触点镀金1U"MIN
PIN脚焊接区域镀金1U"MIN.
 2. 外壳: 镀镍50U"MIN (盐雾48H)
- 五、电镀品需做粘锡测试: 粘锡面积达到95%以上。
- 六、SMT回流焊 (峰值260° C±5° C)
能起泡、熔胶、变色不良 (变形在公差范围以内)。
- 七、工作温度: -55° C~+85° C
- 八、盐雾测试: 通过48H在浓度为5±1%盐水的盐雾测试无生锈现象。



SECTION "A-A"



RECOMMENDED P.C.B. LAYOUT

TOLERANCE UNSPECIFIED ±0.05mm



USB TYPE-C PIN ASSIGNMENTS

PIN NUMBER	A1	A2	A3	A4	A5	A6	A7	A8	A9	A10	A11	A12
SIGNAL NAME	GND	SSTXp1	SSTXn1	V _{bus}	CC1	Dp1	Dn1	SBU1	V _{bus}	SSRXn2	SSRXp2	GND
PIN NUMBER	B12	B11	B10	B9	B8	B7	B6	B5	B4	B3	B2	B1
SIGNAL NAME	GND	SSRXp1	SSRXn1	V _{bus}	SBU2	Dn2	Dp2	CC2	V _{bus}	SSTXn2	SSTXp2	GND

THIS DOCUMENT IS THE SOLE PROPERTY OF **BBJconn Technology Co., Ltd.** Corporation AND SHOULD NOT BE USED IN WHOLE OR IN PART WITHOUT PRIOR WRITTEN PERMISSION.

PDWG.NO: 0482-1

APPD. JM_Zheng

CHKD. LYX

DR. TSP

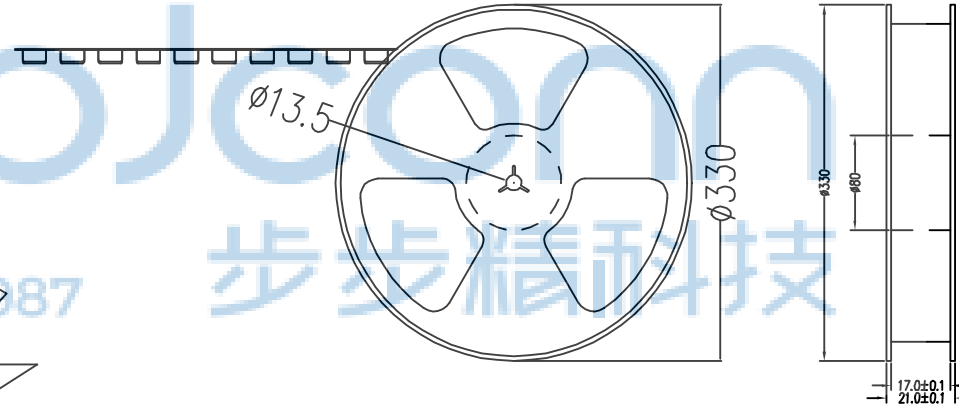
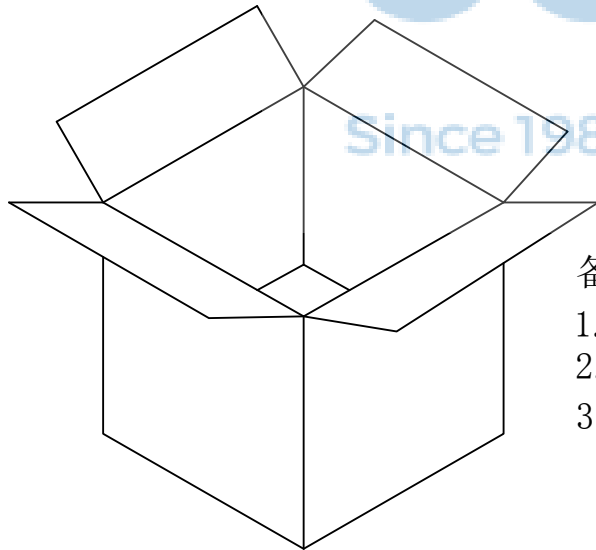
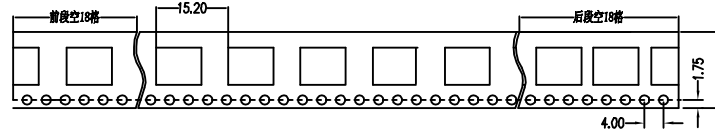
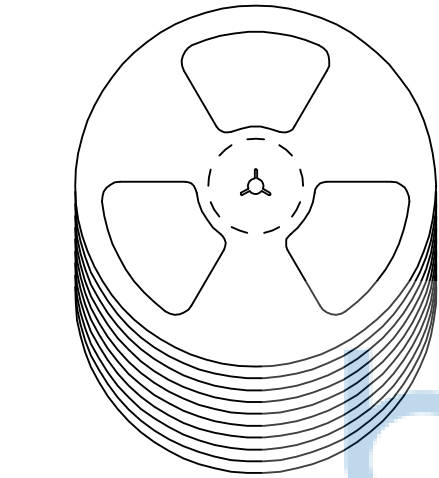
NAME: TYPE-C 24P 母座 双排SMT 板上四脚插 带柱 L=12.40 CH=1.73 编带

PJ. NO.: 126-227-240002-H8G

SIZE: A4 DRW NO.:

FINISH: SEE NOTES MAT'L.: SEE NOTES

SCALE: N/A REV.: A0 UNIT: mm PAGE: 1/2



备注:

1. 包装数量: 800/PCS/卷, 10卷/箱。
2. 包装袋长度: 每卷前后各空10-20个空格, 中间包装。
3. 材质:
载体: 聚丙烯 (PS),
上带: 聚乙烯 (PET),
卷盘: 聚苯乙烯。

纸箱规格: 345*345*23MM

纸箱规格: 345*345*35MM

THIS DOCUMENT IS THE SOLE PROPERTY OF BBJconn Technology Co.,Ltd. Corporation AND SHOULD NOT BE USED IN WHOLE OR IN PART WITHOUT PRIOR WRITTEN PERMISSION.		深圳市步步精科技有限公司	
PDWG:NO: 0482-1		APPD. JM_Zheng CHKD. LYX DR. TSP	NAME: TYPE-C 24P 母座 双排SMT 板上四脚插 带柱 L=12.40 CH=1.73 编带 PJ. NO.: 126-227-240002-H8G SIZE: A4 DRW NO.: FINISH: SEE NOTES MAT'L.: SEE NOTES SCALE: N/A REV.: A0 UNIT: mm PAGE: 2/2