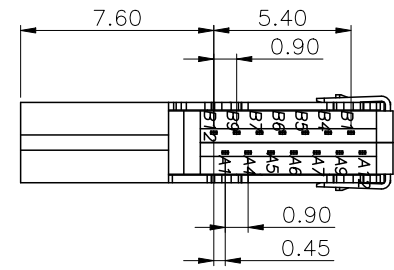
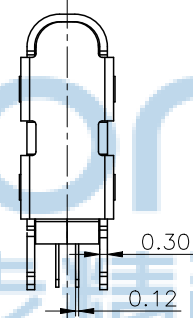
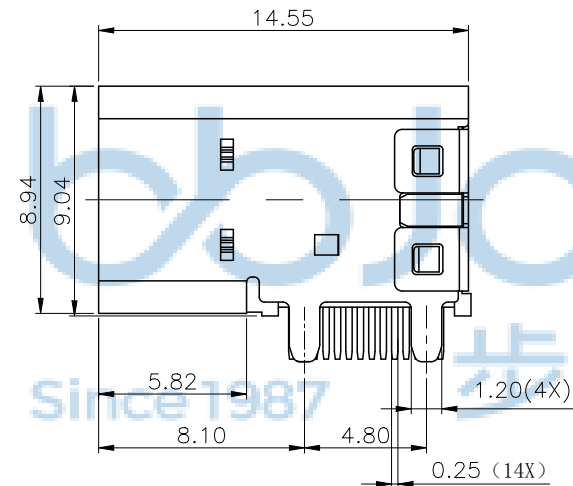
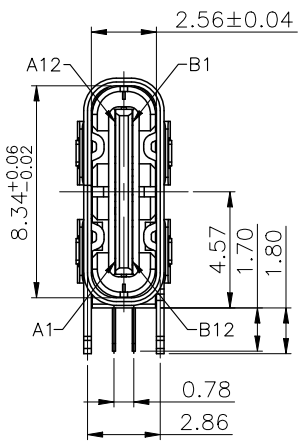
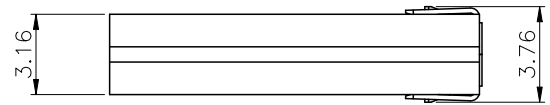


REV	ECN NO	CONTENT	DATE	ENGINEER
A0		INITIAL RELEASE	/	SGF



NOTE:

- MATERIAL SPECIFICATION:
 - HOUSING: PA9T, UL94 V-0.
 - TERMINAL: COPPER ALLOY (C18150)
 - MID PLATE: STAINLESS STEEL (SUS301)
 - FRONT SHELL: STAINLESS STEEL (SUS304)
 - COVER: STAINLESS STEEL (SUS304)
- PLATING SPECIFICATION:
 - TERMINAL:
 - Ni 50u" MIN. UNDER PLATED OVER ALL.
 - 3U" Au PLATED ON THE FUNCTIONAL AREA OF CONTACT.
 - FRONT SHELL:
 - Ni 30u" MIN. UNDER PLATED OVER ALL.
 - MID PLATE & COVER:
 - CLEAR ONLY
- MECHANICAL PERFORMANCE,
 - INSERTION FORCE: 0.5~2.0kgf.
 - REMOVAL FORCE: 0.8kgf~2.0kgf.
 - DURABILITY: 10000 CYCLES.
- ELECTRICAL PERFORMANCE,
 - VOLTAGE RATING: 5 V DC/AC (RMS. max)
CURRENT RATING: 5 AMPS. FOR TOTAL VBUS/GND PINS;
1.25AMPS FOR CC PIN, 0.25 AMPS. FOR ALL OTHER CONTACT.
 - LLCR:
 - VBUS & GND PINS AND OTHER PINS: 40mΩ /PIN MAX.
 - SHIELD: 50mΩ /MAX.
 - LLCR MAX. CHANGE OF ALL PINS: 10mΩ .
 - INSULATION RESISTANCE: 100MΩ MIN
 - DIELECTRIC WITHSTAND VOLTAGE, AC 100V FOR 1 MINUTE.
- ENVIRONMENTAL PERFORMANCE:
 - IR REFLOW:
 - OPERATING TEMPERATURE: -25°C~+85°C.
 - THE PEAK TEMPERATURE ON THE BOARD SHALL BE MAINTAINED FOR 10 SECONDS AT 260°C.
- MANUAL PICKING & PLACE ONLY

PIN NUMBER	A1	A2	A3	A4	A5	A6	A7	A8	A9	A10	A11	A12
SIGNAL NAME	GND			Vbus	CC1	Dp1	Dn1		Vbus			GND
PIN NUMBER	B12	B11	B10	B9	B8	B7	B6	B5	B4	B3	B2	B1
SIGNAL NAME	GND			Vbus		Dn2	Dp2	CC2	Vbus			GND

THIS DOCUMENT IS THE SOLE PROPERTY OF BBJconn Technology Co., Ltd. Corporation AND SHOULD NOT BE USED IN WHOLE PRIOR WRITTEN PERMISSION.

PDWG NO: 0482-1

深 圳 市 步 步 精 科 技 有 限 公 司

NAME: TYPE-C 14P 母座 侧插 四脚插 端子DIP 带中 夹片 L=14.55 CH=4.57 PA9T黑胶 镀金3U

APPD: JM_Zheng

CHKD: LYX

DR: SGF

FINISH: SEE NOTES

SCALE: N/A

PJ NO: 126-228-140002-H8G

SIZE: A4

REV: A0

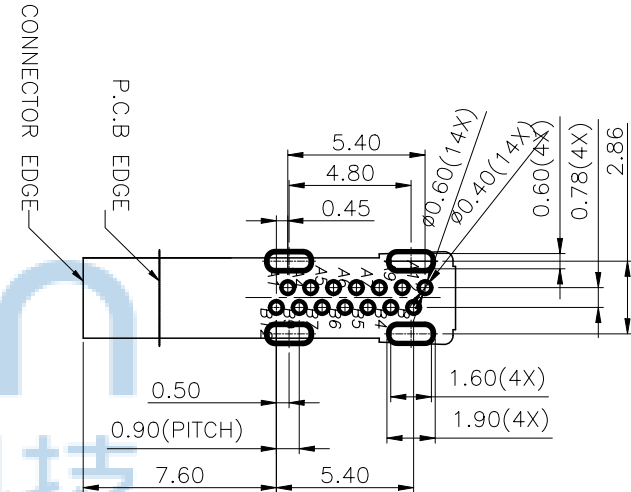
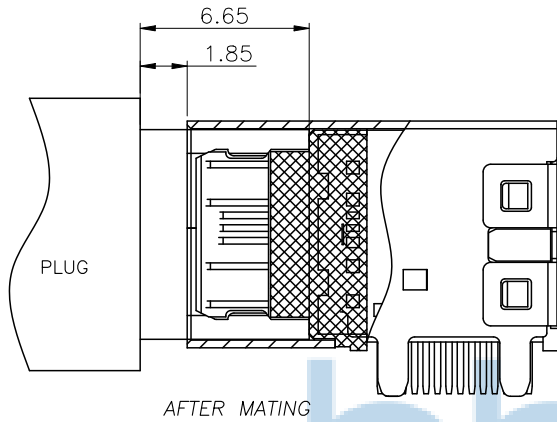
DRW NO:

MAT'L: SEE NOTES

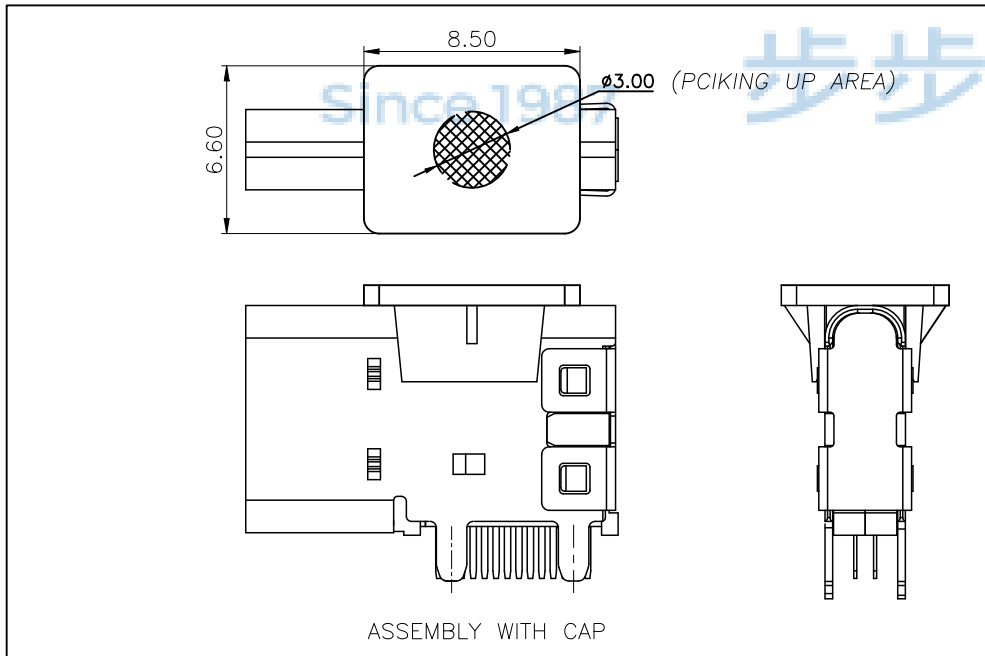
UNIT: mm

PAGE: 1/3

REV	ECN NO	CONTENT	DATE	ENGINEER
A0		INITIAL RELEASE	/	SGF

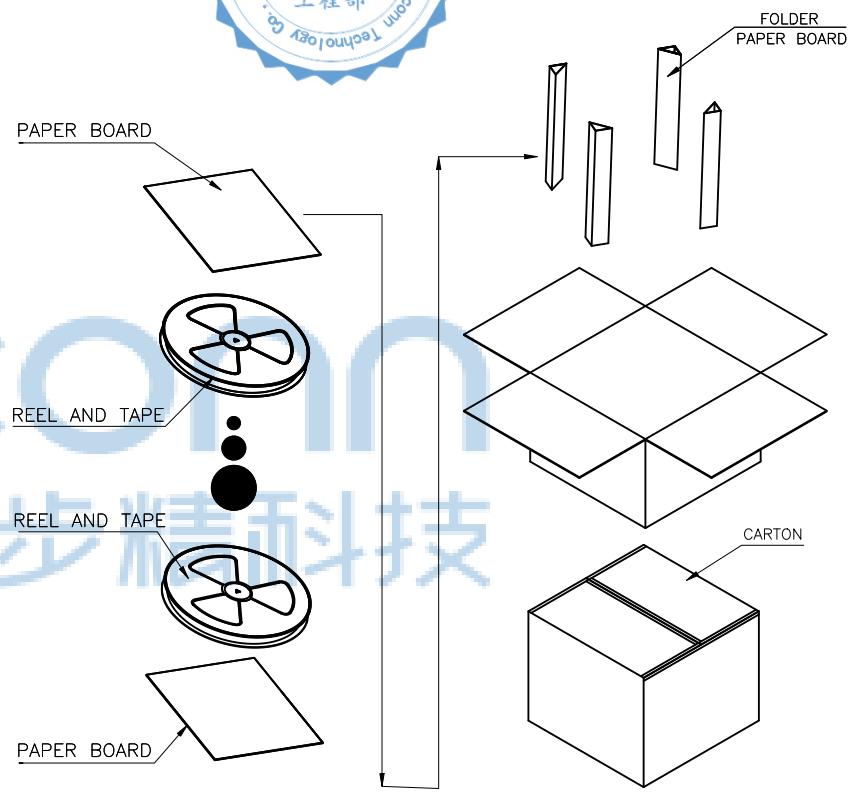
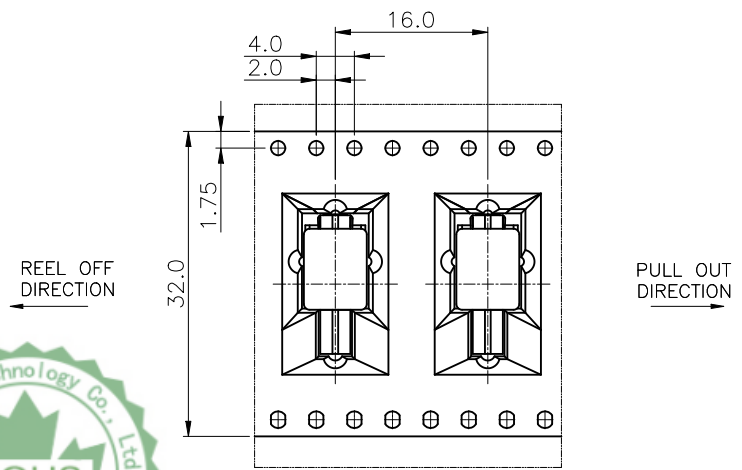
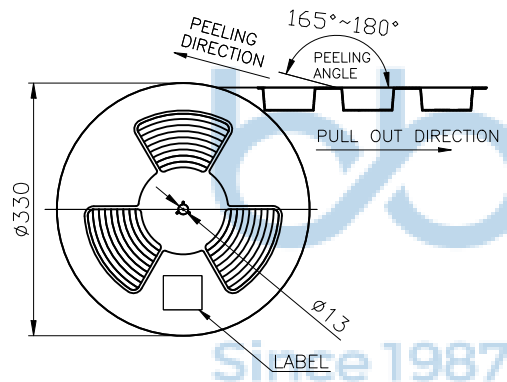
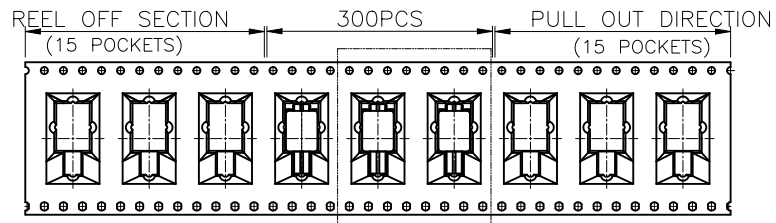


RECOMMENDED P.C.B LAYOUT



THIS DOCUMENT IS THE SOLE PROPERTY OF BBJconn Technology Co.,Ltd. Corporation AND SHOULD NOT BE USED IN WHOLE PRIOR WRITTEN PERMISSION.		深圳市步步精科技有限公司 工程部的 APPROVED		NAME: TYPE-C 14P 母座 侧插 四脚插 端子DIP 带中 夹片 L=14.55 CH=4.57 PA9T黑胶 镀金3U PJ NO: 126-228-140002-H8G SIZE:A4 DRW NO:	
APPD	JM_Zheng	.X: ±0.38 X': ±3' .XX: ±0.25 X'': ±2' .XXX: ±0.13 .XX': ±1'		FINISH:SEE NOTES MAT'L:SEE NOTES SCALE:N/A REV:A0 UNIT:mm PAGE:2/3	
CHKD	LYX	PDWG NO: 0482-1		DR SGF	

REV	ECN NO	CONTENT	DATE	ENGINEER
A0		INITIAL RELEASE	/	SGF



	REEL	CARTON
CONNECTOR (PCS)	300	2400



THIS DOCUMENT IS THE SOLE PROPERTY OF BBJconn Technology Co.,Ltd. Corporation AND SHOULD NOT BE USED IN WHOLE PRIOR WRITTEN PERMISSION.

PDWG NO: 0482-1

深圳市步步精科技有限公司

.X: ±0.38	X': ±3'	NAME: TYPE-C 14P 母座 侧插 四脚插 端子DIP 带中 夹片 L=14.55 CH=4.57 PA9T黑胶 镀金3U
.XX: ±0.25	.X': ±2'	
.XXX: ±0.13	.XX': ±1'	
APPD	JM_Zheng	PJ NO: 126-228-140002-H8G
CHKD	LYX	SIZE:A4 DRW NO:
DR	SGF	FINISH:SEE NOTES MAT'L:SEE NOTES
		SCALE:N/A REV:A0 UNIT:mm PAGE:3/3