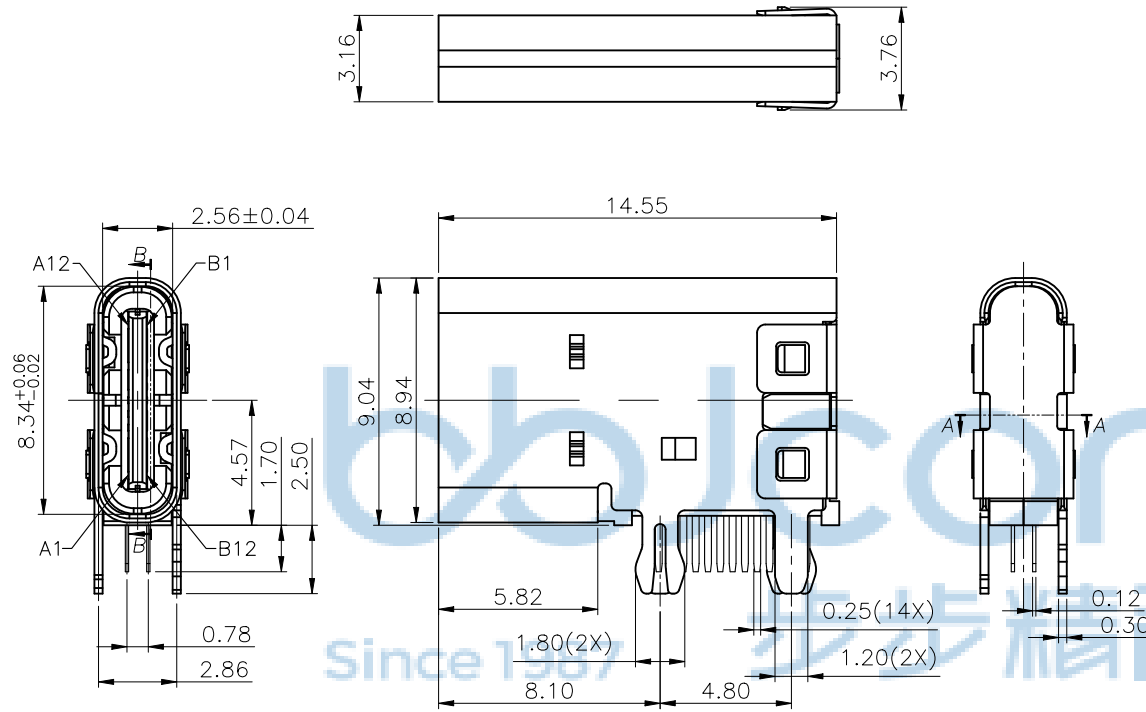


REV	ECN NO	CONTENT	DATE	ENGINEER
A0		INITIAL RELEASE	/	SGF

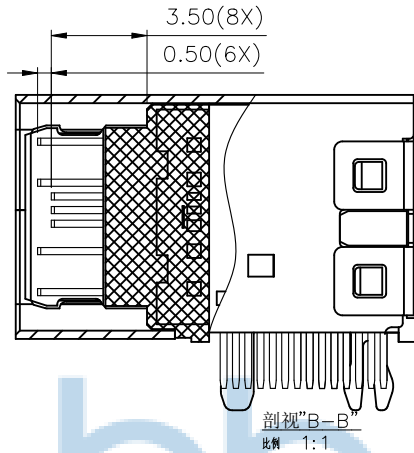


- MATERIAL SPECIFICATION:**
 - HOUSING: PA9T, UL94 V-0.
 - TERMINAL: COPPER ALLOY (C18150)
 - MID PLATE: STAINLESS STEEL (SUS301)
 - FRONT SHELL: STAINLESS STEEL (SUS304)
 - COVER: STAINLESS STEEL (SUS304)
- PLATING SPECIFICATION:**
 - TERMINAL:**
 - Ni 50u" MIN. UNDER PLATED OVER ALL.
 - Au PLATED ON THE FUNCTIONAL AREA OF CONTACT. (GOLD PLATING THICKNESS FOLLOW THE P/N)
 - PLATING SPECIFICATIONS OF THE SOLDER AREA FOLLOW THE P/N
 - FRONT SHELL:**
 - Ni 30u" MIN. UNDER PLATED OVER ALL.
 - MID PLATE & COVER:**
 - CLEAR ONLY
- MECHANICAL PERFORMANCE,**
 - INSERTION FORCE:** 0.5~2.0kgf.
 - REMOVAL FORCE:** 0.8kgf~2.0kgf.
 - DURABILITY:** 10000 CYCLES.
- ELECTRICAL PERFORMANCE,**
 - VOLTAGE RATING:** 5 V DC/AC (RMS. max)
CURRENT RATING: 5 AMPS. FOR TOTAL VBUS/GND PINS;
1.25AMPS FOR CC PIN, 0.25 AMPS. FOR ALL OTHER CONTACT
 - LLCR:**
 - VBUS & GND PINS AND OTHER PINS: 40mΩ /PIN MAX.
 - LLCR MAX. CHANGE OF ALL PINS: 10mΩ .
 - INSULATION RESISTANCE:** 100MΩ MIN
 - DIELECTRIC WITHSTAND VOLTAGE, AC** 100V FOR 1 MINUTE.
- ENVIRONMENTAL PERFORMANCE:**
 - OPERATING TEMPERATURE: -25°C~+85°C.
- IR REFLOW:**
 - THE PEAK TEMPERATURE ON THE BOARD SHALL BE MAINTAINED FOR 10 SECONDS AT 260°C.
- HF COMPLIANT.**
 - TERMINAL: CONTACT POINT GOLD PLATED 3u" Min



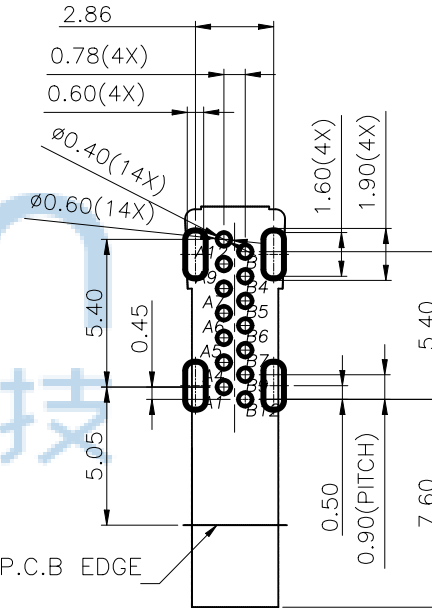
剖视“A-A”
比例 1:1

THIS DOCUMENT IS THE SOLE PROPERTY OF BBJconn Technology Co., Ltd. Corporation AND SHOULD NOT BE USED IN WHOLE PRIOR WRITTEN PERMISSION.	深圳市步步精科技有限公司 工程部		NAME: TYPE-C 14P 母座 侧插 四脚插 端子DIP 带 中夹片 L=14.55 CH=4.57 PA9T黑胶 盒装	
	APPD	JM_Zheng	PJ NO: 126-228-140003-H8G	SIZE: A4 DRW NO:
CHKD	LYX	FINISH: SEE NOTES	MAT'L: SEE NOTES	
PDWG NO: 0482-1	DR	SGF	SCALE: N/A	REV: A0 UNIT: mm PAGE: 1/3

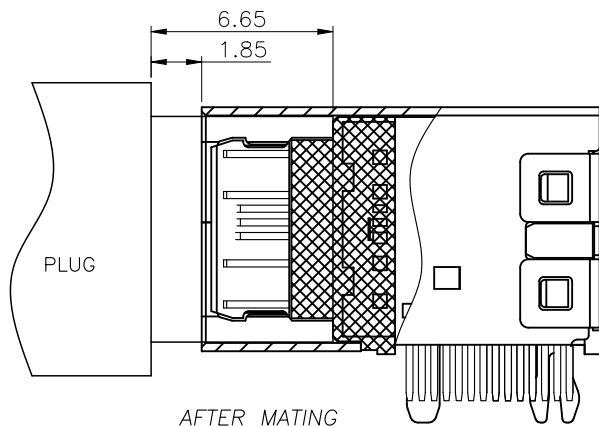


USB TYPE-C PIN ASSIGNMENTS

PIN NUMBER	SIGNAL NAME	PIN NUMBER	SIGNAL NAME
A1	GND	B12	GND
A4	VBUS	B9	VBUS
A5	CC1	B7	Dn2
A6	Dp1	B6	Dp2
A7	Dn1	B5	CC2
A9	VBUS	B4	VBUS
A12	GND	B1	GND



CONNECTOR EDGE
RECOMMENDED PCB LAYOUT(TOP VIEW)
THICKNESS 1.6±0.10MM;DEFAULT TOLERANCE:±0.05



THIS DOCUMENT IS THE
SOLE PROPERTY OF
BBJconn Technology Co.,Ltd.
Corporation AND SHOULD
NOT BE USED IN WHOLE
PRIOR WRITTEN PERMISSION.

深圳市步步精科技有限公司

.X: ±0.38 X': ±3'
.XX: ±0.25 .X': ±2'
.XXX: ±0.13 .XX': ±1'

NAME: TYPE-C 14P 母座 侧插 四脚插 端子DIP 带
中夹片 L=14.55 CH=4.57 PA9T黑胶 盒装

APPD JM_Zheng

PJ NO: 126-228-140003-H8G

CHKD LYX

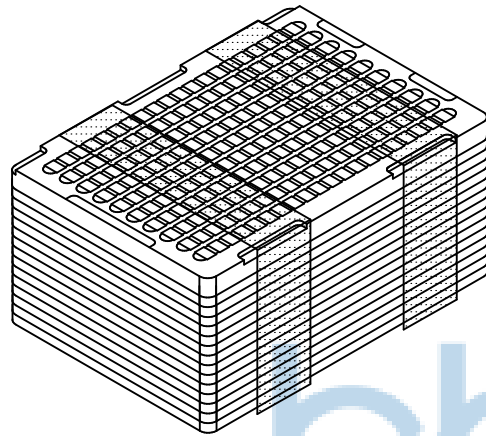
SIZE:A4 DRW NO:

PDWG NO: 0482-1 DR SGF

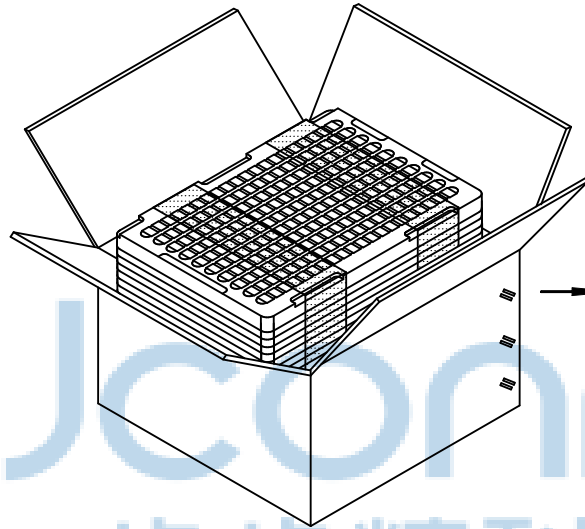
FINISH:SEE NOTES MAT'L:SEE NOTES

SCALE:N/A REV:A0 UNIT:mm PAGE:2/3

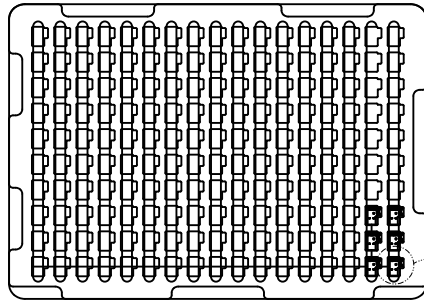
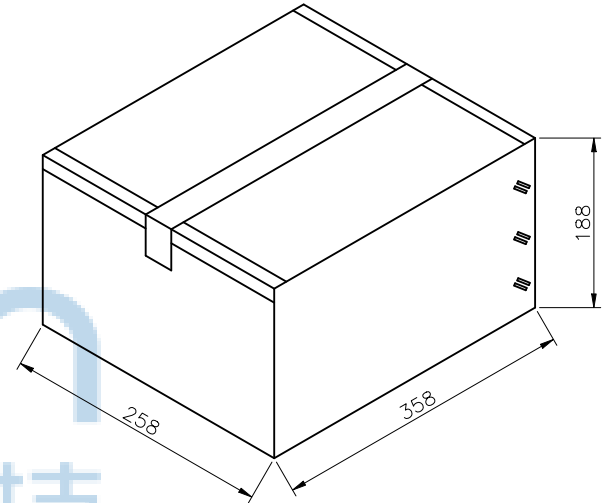
REV	ECN NO	CONTENT	DATE	ENGINEER
A0		INITIAL RELEASE	/	SGF



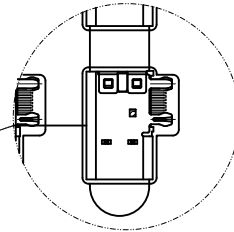
EACH BUNDLE WITH 10 LAYERS
IN ALL 4 BUNDLE



EACH CARTON WITH
6800 PCS PRODUCTS



170PCS/TRAY



	TRAY	CARTON
CONNECTOR (PCS)	170	6800



THIS DOCUMENT IS THE
SOLE PROPERTY OF
BBJconn Technology Co.,Ltd.
Corporation AND SHOULD
NOT BE USED IN WHOLE
PRIOR WRITTEN PERMISSION.

bbJconn 深圳市步步精科技有限公司

.X: ±0.38 X': ±3"
.XX: ±0.25 .X': ±2"
.XXX: ±0.13 .XX': ±1"

NAME: TYPE-C 14P 母座 侧插 四脚插 端子DIP 带
中夹片 L=14.55 CH=4.57 PA9T黑胶 盒装

APPD JM_Zheng

PJ NO: 126-228-140003-H8G

CHKD LYX

SIZE:A4 DRW NO:

DR SGF

FINISH:SEE NOTES MAT'L:SEE NOTES

PDWG NO: 0482-1

SCALE:N/A REV:A0 UNIT:mm PAGE:3/3