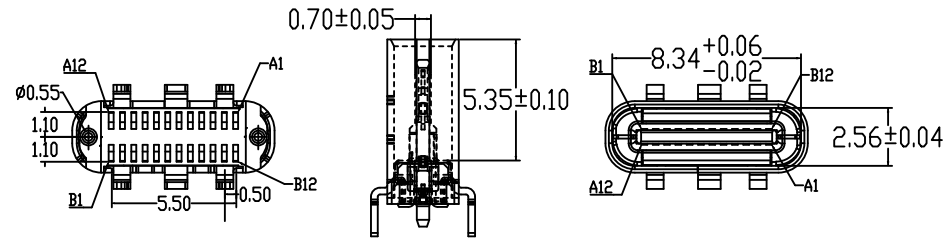
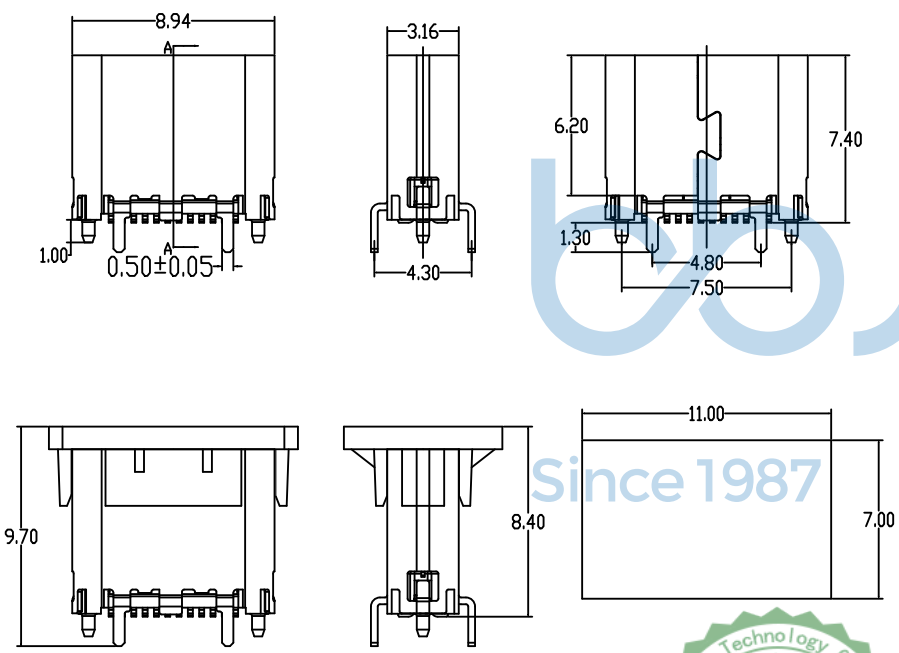


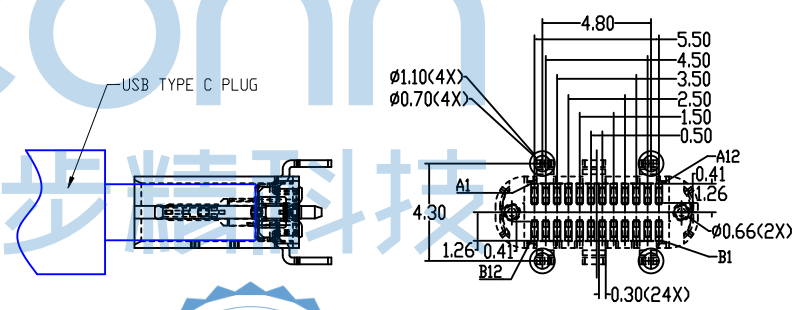
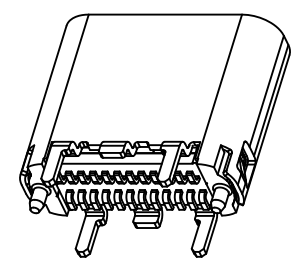
REV.	ECN NO	CONTENT	DATE	ENGINEER
A0				



SECTION:A-A



NOTE:
1.MATERIAL SPECIFICATION
1.HOUSING:LPJL94 V-0
2.TERMINAL: COPPER ALLOY
3.MIN. PLATE: STAINLESS STEEL
4.FRONT SHELL: STAINLESS STEEL
5.EMI PLATE: STAINLESS STEEL
2.PLATING SPECIFICATION:
2-1.TERMINAL:
NI 50μ MIN UNDER PLATED OVER ALL.
AU PLATED ON THE FUNCTIONAL AREA OF CONTACT.
(GOLD PLATING THICKNESS FOLLOW THE P/N)
PLATING SPECIFICATIONS OF THE SOLDER AREA FOLLOW THE P/N
2-2. FRONT SHELL:
PLATING SPECIFICATIONS FOLLOW THE P/N
2-3.MID PLATE&EMI PLATE:
CLEAR ONLY
3.MECHANICAL PERFORMANCE:
3-1.INSERTION FORCE:0.5-2.0KGF MAX
3-2.REMOVAL FORCE:0.8-2.0KGF MIN
3-3.DURABILITY:10000 CYCLES.
4.ELECTRICAL PERFORMANCE:
4-1.VOLTAGE RATING:5V DC/AC(RMS. MAX)
CURRENT RATING:5A AMPS. FOR TOTAL VBUS/GND PINS.
1.25AMPS FOR CC PIN,0.25 AMPS. FOR ALL OTHER CONTACT.
4-2.LLOR:
VBUS&GND PINS AND OTHER PINS: 40mΩ/PIN MAX
SHIELD:50mΩ MAX
LLOR MAX.CHANGE OF ALL PINS:10mΩ
4-3.INSULATION RESISTANCE:100mΩ MIN
4-4.DIELECTRIC WITHSTAND VOLTAGE:AC 100V FOR 1 MINUTE.
5.ENVIRONMENTAL PERFORMANCE:
OPERATING TEMPERATURE:-25℃~+85℃
6.IR REFLOW:
THE PEAK TEMPERATURE ON THE BOARD SHALL
BE MAINTAINED FOR 10 SECONDS AT 260℃



RECOMMENDED PCB LAYOUT(TOP VIEW)
THICKNESS 1.0±0.10mm,DEFAULT TOLERANCE:±0.05



USB TYPE-C PIN ASSIGNMENTS

PIN NUMBER	A1	A2	A3	A4	A5	A6	A7	A8	A9	A10	A11	A12
SIGNAL NAME	GND	SSTXp1	SSTXn1	Vbus	CC1	Dp1	Dn1	SBU1	Vbus	SSRXn2	SSRXp2	GND
PIN NUMBER	B12	B11	B10	B9	B8	B7	B6	B5	B4	B3	B2	B1
SIGNAL NAME	GND	SSRXp1	SSRXn1	Vbus	SBU2	Dn2	Dp2	CC2	Vbus	SSTXn2	SSTXp2	GND

THIS DOCUMENT IS THE SOLE PROPERTY OF BBJconn Technology Co.,Ltd. Corporation AND SHOULD NOT BE USED IN WHOLE OR IN PART WITHOUT PRIOR WRITTEN PERMISSION.

PDWG.NO: 0482-1

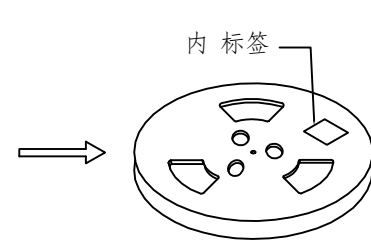
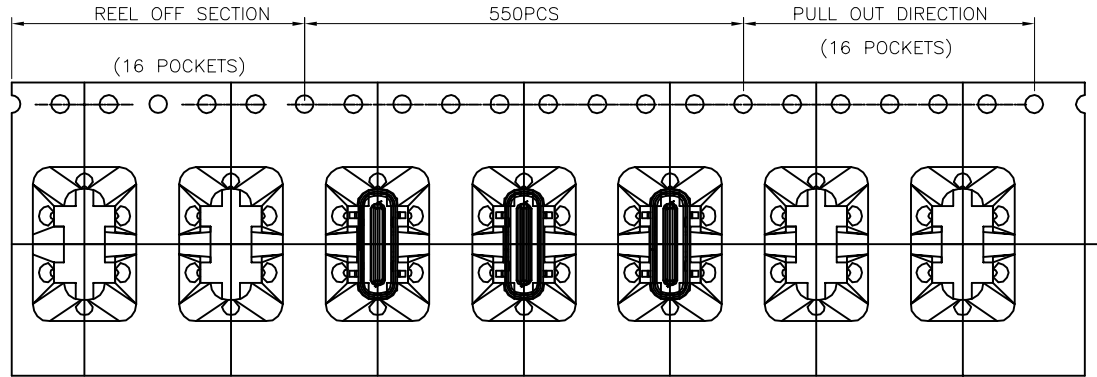
APPD. JM_Zheng
CHKD. LYX
DR. LT

深圳市步步精科技有限公司

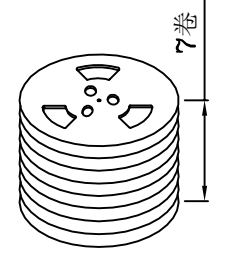
NAME: USB 3.1 TYPE-C 24PIN母座 180度立式贴片SMT H=7.4mm

PJ. NO.: 126-224-240005-H8G
SIZE: A4 | DRW NO.:
FINISH: SEE NOTES | MAT'L.: SEE NOTES
SCALE: N/A | REV.: A0 | UNIT: mm | PAGE: 1/1

REV.	ECN NO	CONTENT	DATE	ENGINEER
A0		Initial release	/	

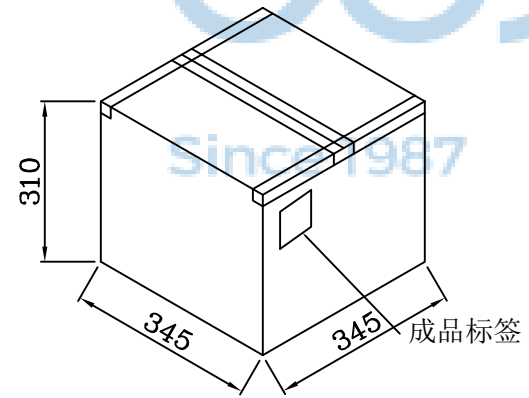


② 卷盘贴标签示意图

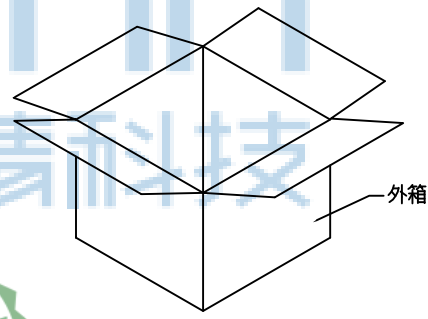


③ 7盘产品叠层示意图

① 产品入载带示意图



5 外箱封箱示意图



④ 产品入外箱示意图



	REEL	CARTON
CONNECTOR (PCS)	600	4200

包装说明:

1. 将检验好的成品;对插口朝前放入载带;每卷装600PCS产品;具体如图一所示
2. 将包装好的产品;每盘必需贴上内标签;具体如图二所示
3. 将贴好内标签的产品每7盘叠;具体如图三所示
5. 装好后并封好纸箱及贴好相关标签;具体如图五所示;
(产品包装的标签,如客户有要求,请按客户要求包装出货)
6. 载带前面留16PCS空格,后面留16PCS空格
7. COVER与CARRY剥离力:50-125g,速度:300mm/分钟左右,剥离角度:165°-180°

THIS DOCUMENT IS THE SOLE PROPERTY OF BBJconn Technology Co.,Ltd. Corporation AND SHOULD NOT BE USED IN WHOLE OR IN PART WITHOUT PRIOR WRITTEN PERMISSION. PDWG.NO:		深圳市步步精科技有限公司	
.X: ±0.38 .XX: ±0.25 .XXX: ±0.13		NAME: USB 3.1 TYPE-C 24PIN母座 180度立式贴片SMT H=7.4mm P.J. NO.: 126-224-240005-H8G SIZE: A4 DRW NO.: FINISH: SEE NOTES MAT'L.: SEE NOTES SCALE: N/A REV.: A0 UNIT: mm PAGE:	
X': ±3' X'': ±2' XX': ±1'		APPD. JM_Zheng CHKD. LYX DR.	