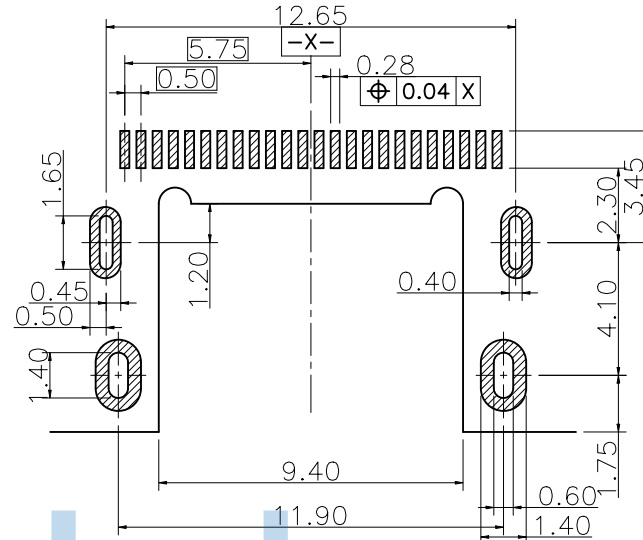
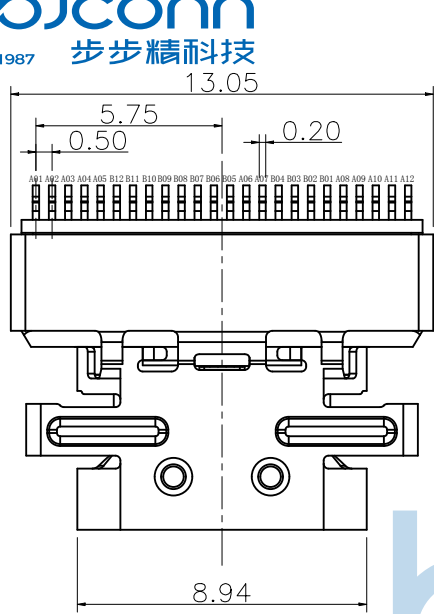
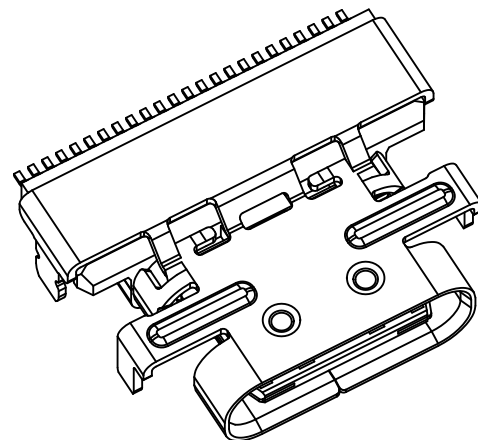
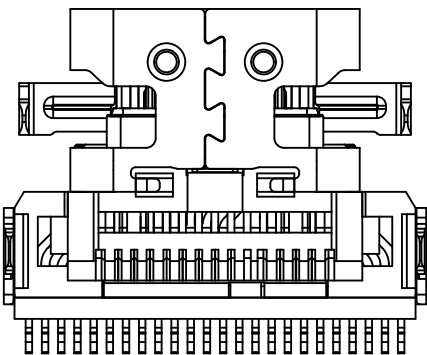
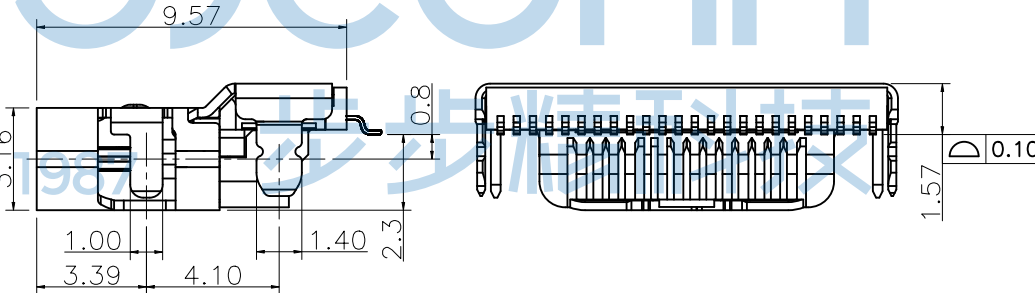
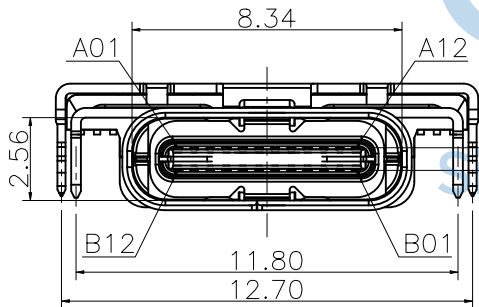


REV.	ECN NO	CONTENT	DATE	ENGINEER
A0		Initial release	/	TSP



RECOMMEND P.C.B LAYOUT (THICKNESS 1.6mm)
(COMPONENT SIDE) TOLERANCE±0.03mm



DETAIL A

NOTES:

1. MATERIAL:

HOUSING: LCP UL94 V-0 BLACK COLOR.

CONTACT: PHOSPHOR BRONZE, C7025, 0.12±0.03 THICKNESS.

MID SHELL: STAINLESS STEEL, SUS 301, 0.15±0.03 THICKNESS.

GND SHELL: STAINLESS STEEL, SUS 301&316, 0.10±0.03 THICKNESS.

SHELL: STAINLESS STEEL, SUS 304, 0.30±0.03 THICKNESS.

2. FINISH:

CONTACT: G/F AU GOLD PLATING ON CONTACT AREA,

G/F AU PLATING ON SOLDER TAILS,

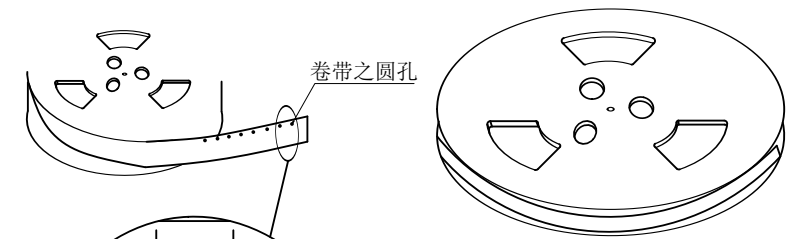
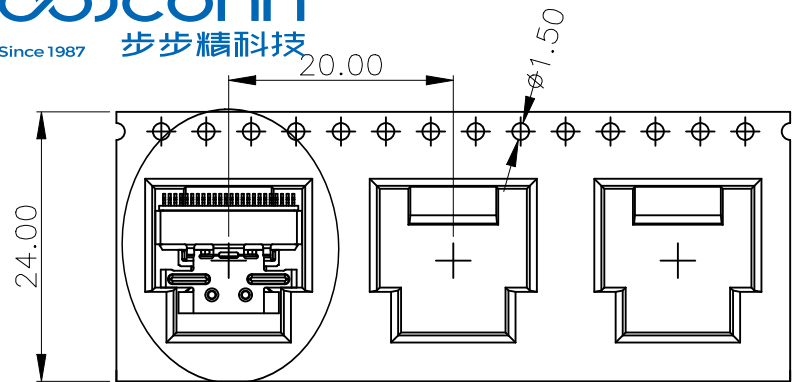
50u" MIN. NICKEL UNDERPLATING OVERALL.

SHELL: 30u" MIN. NICKEL PLATED,

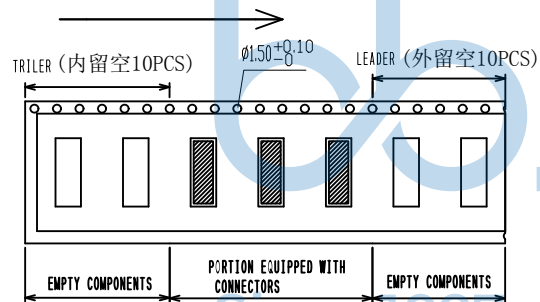


THIS DOCUMENT IS THE SOLE PROPERTY OF BBJconn Technology Co.,Ltd. Corporation AND SHOULD NOT BE USED IN WHOLE OR IN PART WITHOUT PRIOR WRITTEN PERMISSION.		深圳市步步精科技有限公司	
PDWG.NO: 0643-2		APPD. JM_Zheng	NAME: TYPE-C 24P 母座 四脚插 端子单排SMT 单壳 沉板2.3 L=9.57 CH=0.80 编带
DR. TSP	CHKD. LYX	PJ. NO.: 126-221-240009-J8G	
		SIZE: A4 DRW NO.:	
		FINISH: SEE NOTES	MAT'L.: SEE NOTES
		SCALE: N/A	REV.: A0 UNIT: mm PAGE: 1/2

REV.	ECN NO	CONTENT	DATE	ENGINEER
A0		Initial release	/	TSP

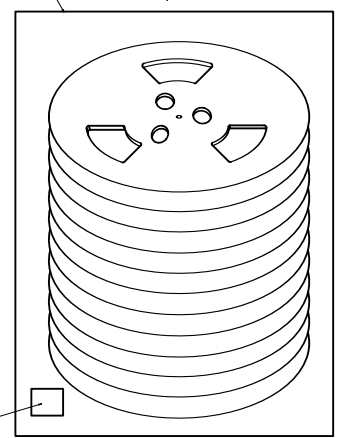


1. 每盘装700PCS

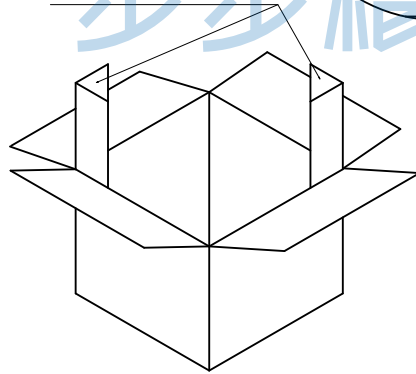
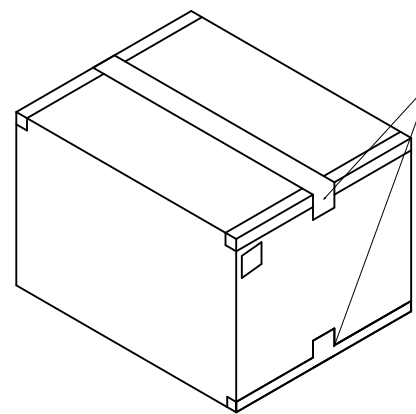


固定纸板折成三角后放于纸箱四个角以稳固成品

PE袋



2. 每叠共11层, 7700PCS



外箱

3. 每箱放1叠, 共11盘, 7700PCS

注：标签依客户出货标识



THIS DOCUMENT IS THE SOLE PROPERTY OF BBJconn Technology Co., Ltd. CORPORATION AND SHOULD NOT BE USED IN WHOLE OR IN PART WITHOUT PRIOR WRITTEN PERMISSION.		深圳市步步精科技有限公司	
PDWG.NO: 0643-2		NAME: TYPE-C 24P 母座 四脚插 端子单排SMT 单壳 沉板2.3 L=9.57 CH=0.80 编带	
APPD.	JM_Zheng	PJ. NO.: 126-221-240009-J8G	
CHKD.	LYX	SIZE: A4 DRW NO.:	
DR.	TSP	FINISH: SEE NOTES MAT'L.: SEE NOTES	
		SCALE: N/A	REV.: A0 UNIT: mm PAGE: 2/2