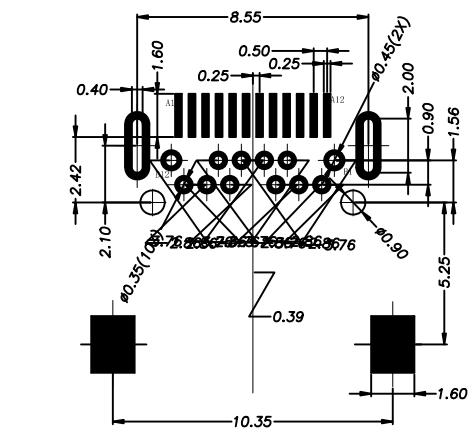


| REV. | ECN NO | CONTENT | DATE | ENGINEER |
|------|--------|---------|------|----------|
| A0 | | | | |

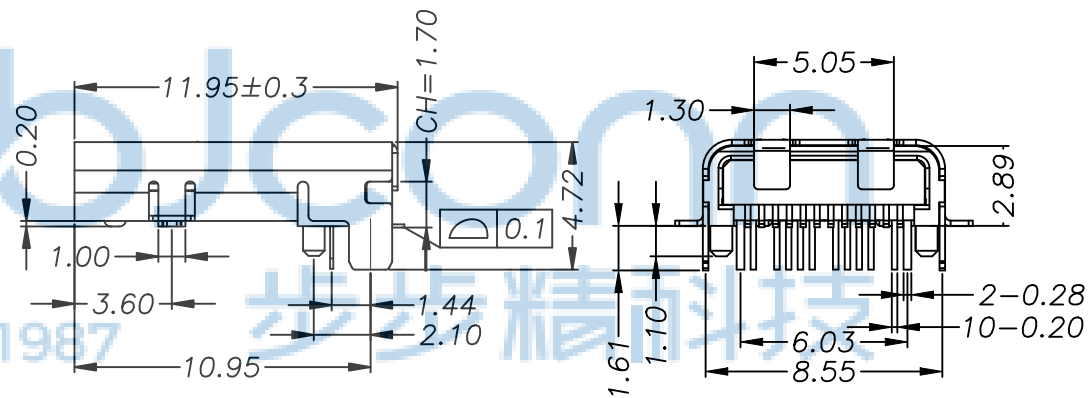
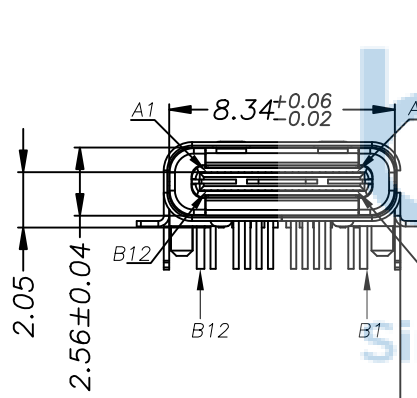
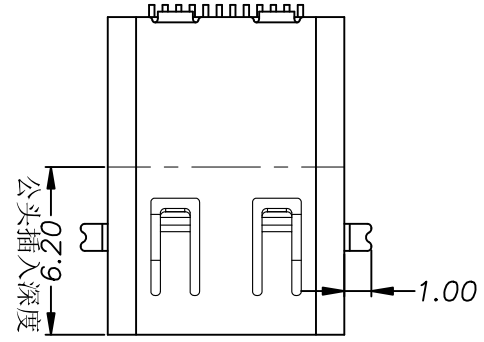
NOTES:

SPECIFICATION:

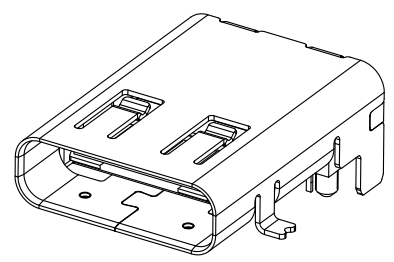
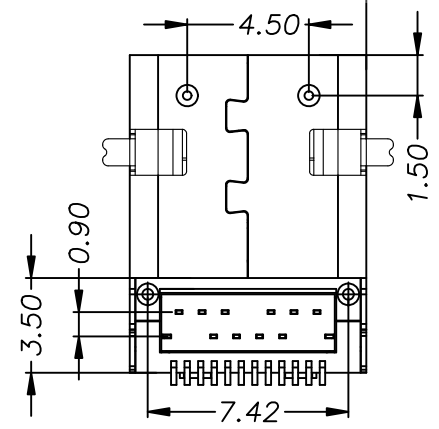
- CURRENT RATING: 3A MAX
- VOLTAGE: 100 VAC
- TEMPERATURE RANGE: -30 °C ~ 85 °C
- CONTACT RESISTANCE: 40 MILLIONHM MAX
- INSULATION RESISTANCE: 100 MEGOHMS MIN.
- INSERTION FORCE : 5N~20N
- UNMATING FORCE: 8N~20N
- DURABILITY: 10,000 CYCLES
- SHELL:SUS304,Ni:40u"-60u"
- CONTACT:C7025,Au1u"
- MID PLATE:SUS301
- HOUSING:LCP



RECOMMENDED PCB LAYOUT(TOP VIEW)



| | | | |
|-----|-------------|-----|-------------|
| A1 | GND | B12 | GND |
| A2 | SSTXP1 | B11 | SSRXP1 |
| A3 | SSTXN1 | B10 | SSRXN1 |
| A4 | VBUS | B9 | VBUS |
| A5 | CC1 | B8 | SBU2 |
| A6 | DP1 | B7 | DN2 |
| A7 | DN1 | B6 | DP2 |
| A8 | SBU1 | B5 | CC2 |
| A9 | VBUS | B4 | VBUS |
| A10 | SSRXN2 | B3 | SSTXN2 |
| A11 | SSRXP2 | B2 | SSTXP2 |
| A12 | GND | B1 | GND |
| PIN | SIGNAL NAME | PIN | SIGNAL NAME |



THIS DOCUMENT IS THE SOLE PROPERTY OF BBJconn Technology Co.,Ltd. Corporation AND SHOULD NOT BE USED IN WHOLE OR IN PART WITHOUT PRIOR WRITTEN PERMISSION.

深圳市步步精科技有限公司

NAME: TYPE-C 24P 母座 外壳前两脚贴后两脚插 带柱 L=11.95 CH=1.70 端子DIP+SMT

APPD. JM_Zheng

CHKD. LYX

DR. LHC

P.DWG. NO: 0643-2

.X: ±0.38 .XX: ±0.25 .XXX: ±0.13 X': ±3' X'': ±2' .XX': ±1'

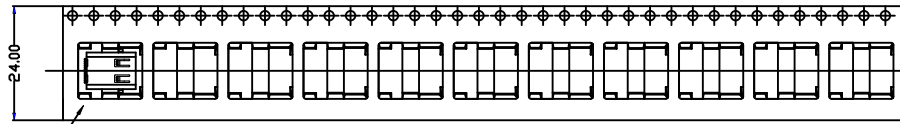
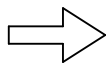
P.J. NO.: 126-223-240004-J8G

SIZE: A4 DRW NO.:

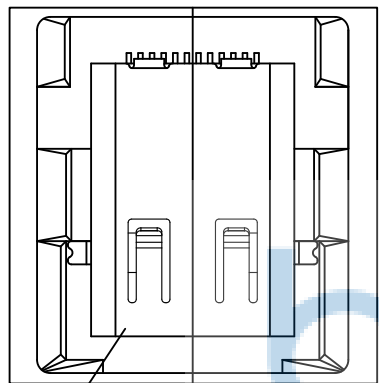
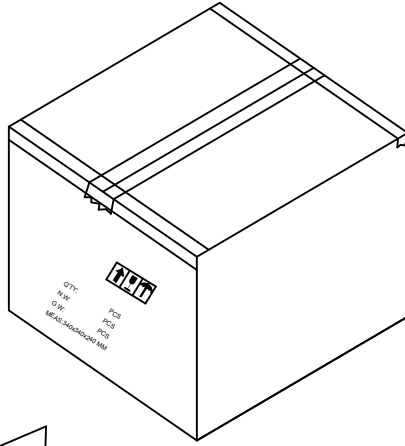
FINISH: SEE NOTES MAT'L.: SEE NOTES

SCALE: N/A REV.: A3 UNIT: mm PAGE: 1/2

| REV. | ECN NO | CONTENT | DATE | ENGINEER |
|------|--------|---------|------|----------|
| A0 | | | | |

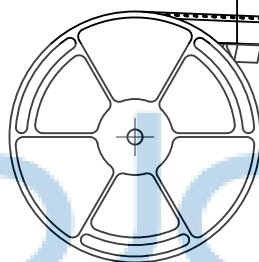
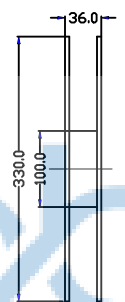


DETTALL "A"



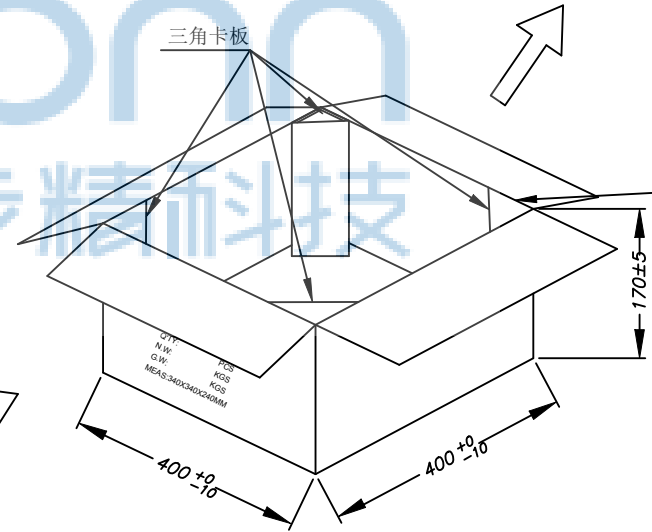
DETTALL "A"
SCALE: 4:1

SMT脚方向

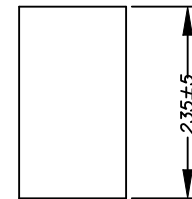
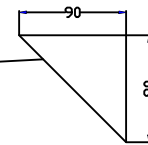


尾部空20格.
胶纸粘住
头部空30格,
尾端需用PE膜绕两周.

三角卡板

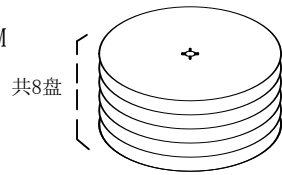


三角卡板



NOTES:

1. 每卷装产品700PCS.
2. 每箱装产品10X700=7000PCS.
3. 纸箱规格为:340MM*340MM*240MM



共8盘



| | | | | | |
|--|----------|---|----------|--|-----------|
| THIS DOCUMENT IS THE SOLE PROPERTY OF BBJconn Technology Co.,Ltd. Corporation AND SHOULD NOT BE USED IN WHOLE OR IN PART WITHOUT PRIOR WRITTEN PERMISSION. | | 深圳市步步精科技有限公司 .X: ±0.38 .X': ±3' .XX: ±0.25 .X'': ±2' .XXX: ±0.13 .XX': ±1' | | NAME: TYPE-C 24P 母座 外壳前两脚贴后两脚插 带柱 L=11.95 CH=1.70 端子D1P+SMT | |
| APPD. | JM_Zheng | P.J. NO.: 126-223-240004-J8G | | SIZE: A4 DRW NO.: | |
| CHKD. | LYX | FINISH: SEE NOTES | | MAT'L.: SEE NOTES | |
| DR. | LHC | SCALE: N/A | REV.: A3 | UNIT: mm | PAGE: 2/2 |
| PDWG. NO: 0643-2 | | | | | |