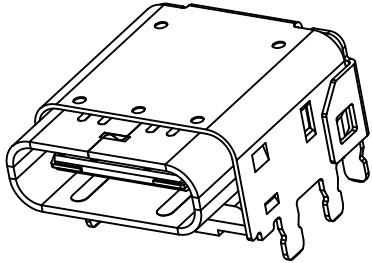
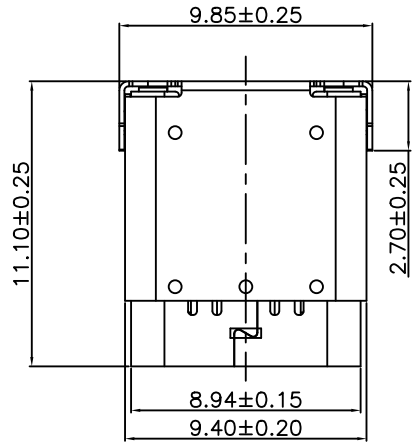
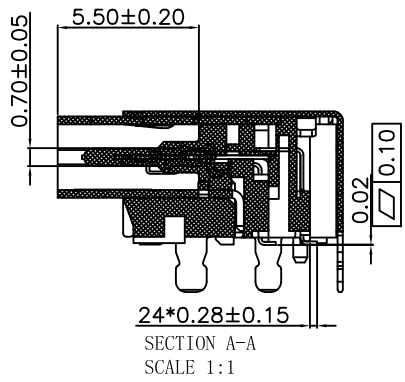
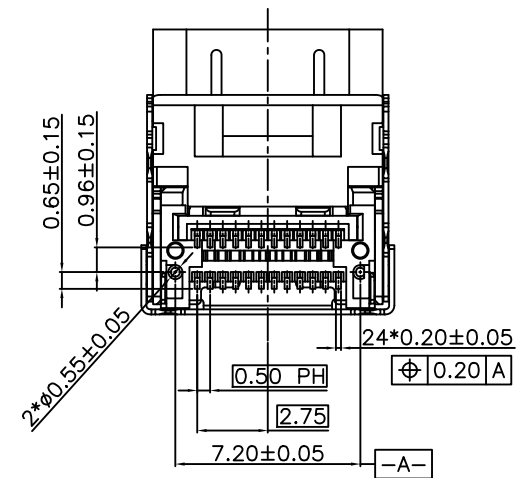
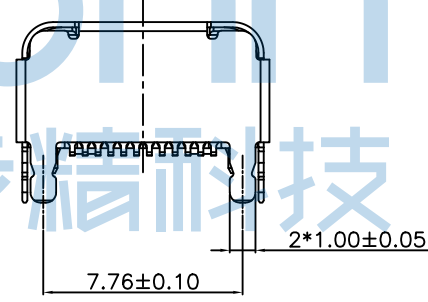
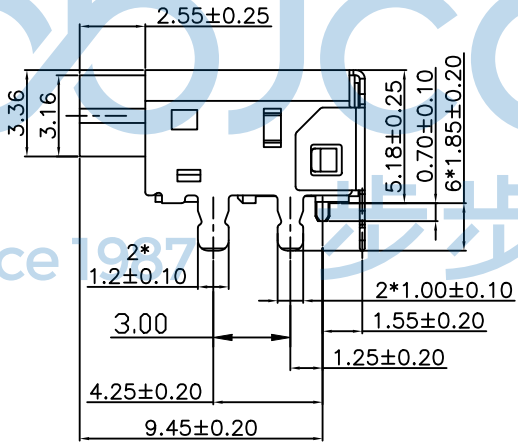
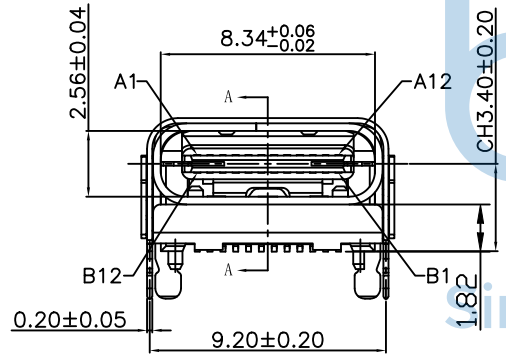


REV.	ECN NO	CONTENT	DATE	ENGINEER
A0		Initial release	/	TSP



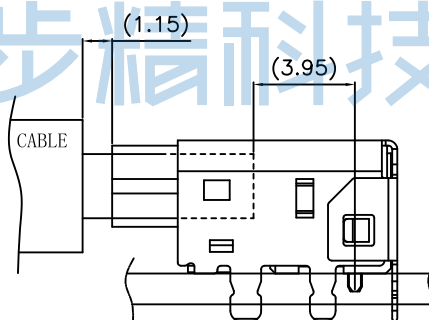
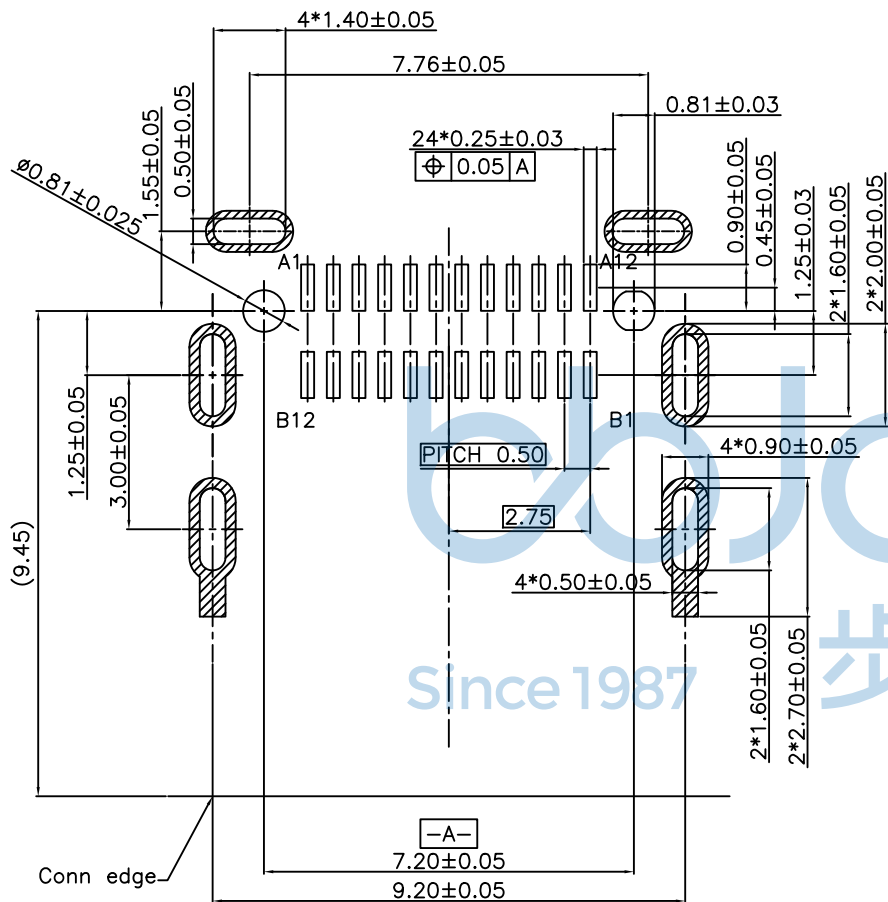
- Specifications:
- Electrical performance:
 - Contact resistance: 40mΩ max for initial. 10mΩ change after test. measure at 20mv, 100mA.
 - Dielectric withstanding voltage: AC 100V(rms).
 - Insulation resistance: 100MΩ min.
 - Contact current rating: 3A for Vbus pin; 1.25A for Vconn and GND pin; 0.25A for all the other pin.
 - Voltage: 5 Vac (rms).
 - mechanical performance:
 - Mating force: 5~20N
 - Unmating force: 8~20N Initial test, 6~20N After test
 - Durability: 10,000 cycles.
 - Environmental performance:
 - Temperature range:
 - Operating temperature: -25°to+85°.
 - Storage temperature: -20°to+60°.
 - Material:
 - Housing: LCP Black, UL94-V0.
 - Contact: C7025, T=0.12mm
 - Mid-plate: SUS301, T=0.15mm
 - Shell-in: SUS304 T=0.30mm
 - Shell-out: SUS301 T=0.20mm
 - Plating specification:
 - Contact: Au G/F plated on contact area Matte Tin plated 100u"min on solder area; Nickel 50u"min underplating over all.
 - Shell-out: Nickel 30u"min plating over all.



THIS DOCUMENT IS THE SOLE PROPERTY OF BBJconn Technology Co., Ltd. Corporation AND SHOULD NOT BE USED IN WHOLE OR IN PART WITHOUT PRIOR WRITTEN PERMISSION.		深圳市步步精科技有限公司 .X: ±0.38 .X': ±3" .XX: ±0.25 .X'': ±2" .XXX: ±0.13 .X''': ±1"		NAME: TYPE-C 24P 母座 双排SMT 双壳 板上六脚插 脚距3.0 垫高1.82 L=11.10 CH=3.40 带柱 编带 APPD. JM_Zheng CHKD. LYX DR. TSP	
PDWG.NO: 0643-2		PJ. NO.: 126-221-240027-J8G SIZE: A4 DRW NO.: FINISH: SEE NOTES MAT'L.: SEE NOTES SCALE: N/A REV.: A0 UNIT: mm PAGE: 1/3			



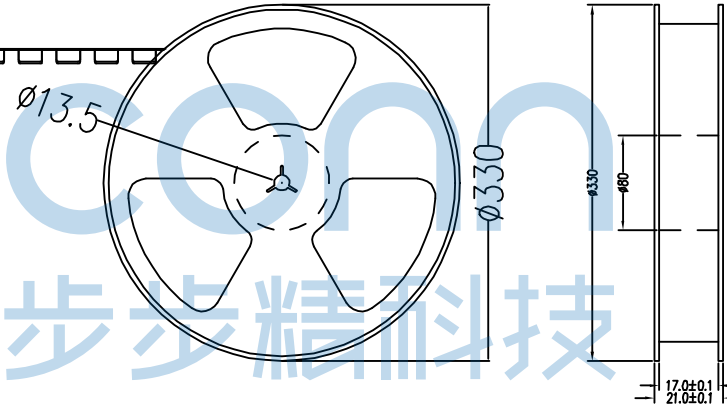
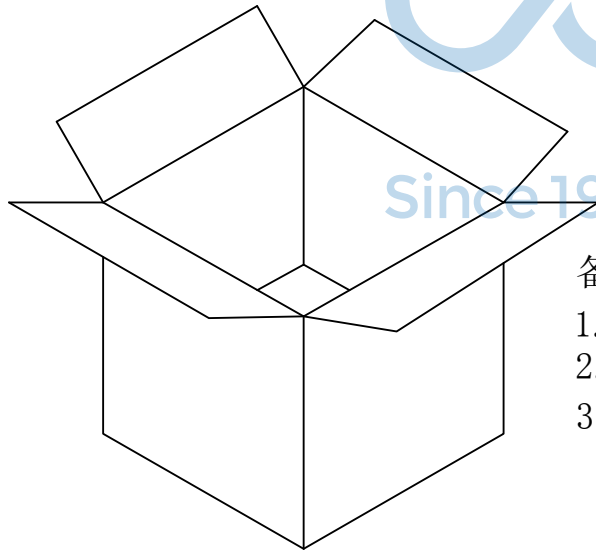
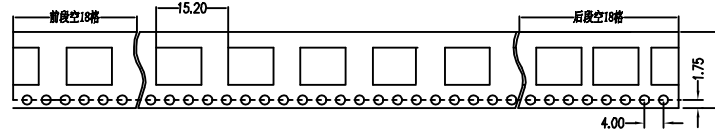
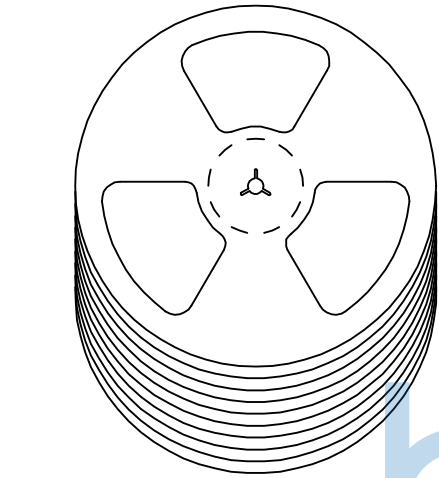
A1	GND	B12	GND
A2	SSTXP1	B11	SSRXP1
A3	SSTXN1	B10	SSRXN1
A4	VBUS	B9	VBUS
A5	CC1	B8	SBU2
A6	DP1	B7	DN2
A7	DN1	B6	DP2
A8	SBU1	B5	CC2
A9	VBUS	B4	VBUS
A10	SSRXN2	B3	SSTXN2
A11	SSRXP2	B2	SSTXP2
A12	GND	B1	GND
PIN	SIGNAL NAME	PIN	SIGNAL NAME



RECOMMENDED PCB LAYOUT(TOP) SCALE 2:1
THICKNESS=1.2mm



THIS DOCUMENT IS THE SOLE PROPERTY OF BBJconn Technology Co.,Ltd. Corporation AND SHOULD NOT BE USED IN WHOLE OR IN PART WITHOUT PRIOR WRITTEN PERMISSION.		深圳市步步精科技有限公司 .X: ±0.38 .X': ±3" .XX: ±0.25 .X": ±2" .XXX: ±0.13 .XX': ±1"	
APPD.	JM_Zheng	NAME: TYPE-C 24P 母座 双排SMT 双壳 板上六脚插 脚距3.0 垫高1.82 L=11.10 CH=3.40 带柱 编带	
CHKD.	LYX	PJ. NO.: 126-221-240027-J8G	
DR.	TSP	SIZE: A4 DRW NO.:	
PDWG.NO:	0643-2	FINISH: SEE NOTES MAT'L.: SEE NOTES	
		SCALE: N/A	REV.: A0 UNIT: mm PAGE: 2/3



备注:

1. 包装数量: 400/PCS/卷, 10卷/箱。
2. 包装袋长度: 每卷前后各空10-20个空格, 中间包装。
3. 材质:
载体: 聚丙烯 (PS),
上带: 聚乙烯 (PET),
卷盘: 聚苯乙烯。

纸箱规格: 345*345*23MM

纸箱规格: 345*345*35MM

THIS DOCUMENT IS THE SOLE PROPERTY OF BBJconn Technology Co.,Ltd. Corporation AND SHOULD NOT BE USED IN WHOLE OR IN PART WITHOUT PRIOR WRITTEN PERMISSION.		深圳市步步精科技有限公司	
.X: ±0.38 .XX: ±0.25 .XXX: ±0.13		X': ±3" X'': ±2" X'X': ±1"	
APPD.	JM_Zheng	NAME: TYPE-C 24P 母座 双排SMT 双壳 板上六脚插 脚距3.0 垫高1.82 L=11.10 CH=3.40 带柱 编带	
CHKD.	LYX	PJ. NO.: 126-221-240027-J8G	
DR.	TSP	SIZE: A4 DRW NO.:	
PDWG.NO:	0643-2	FINISH: SEE NOTES MAT'L.: SEE NOTES	
		SCALE: N/A REV.: A0 UNIT: mm PAGE: 3/3	