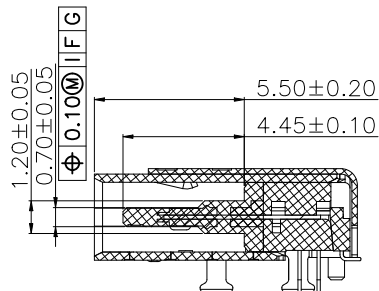
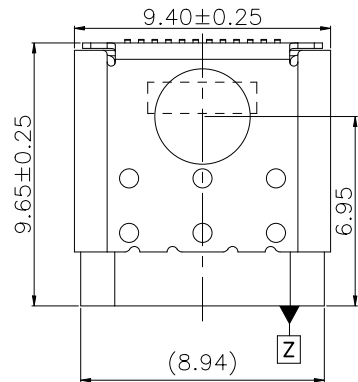
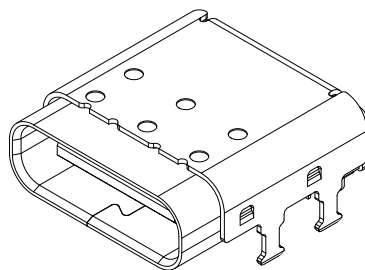
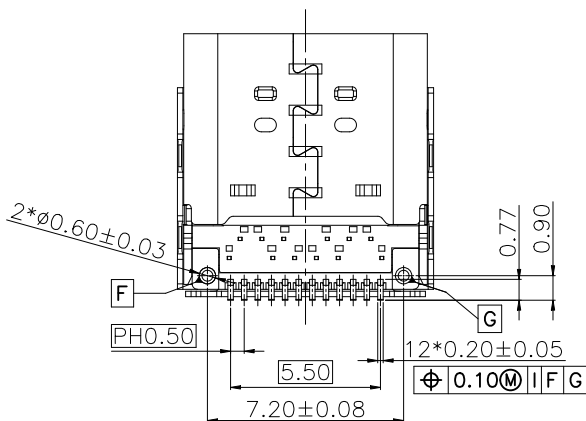
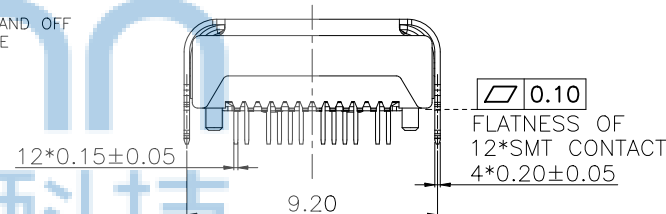
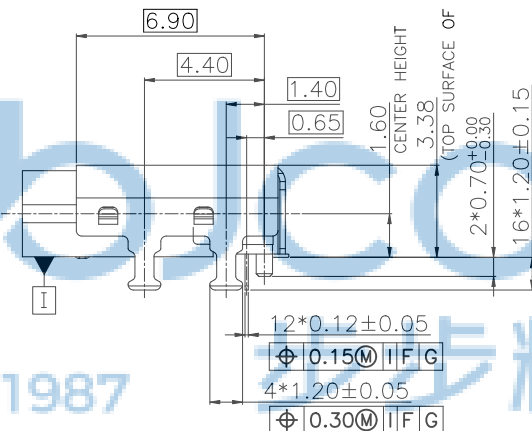
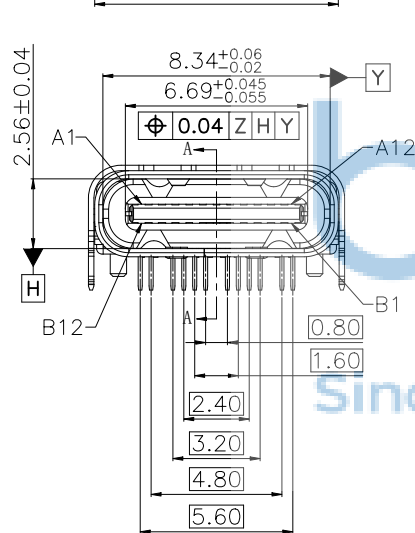


REV.	ECN NO.	CONTENT	DATE	ENGINEER
A0				

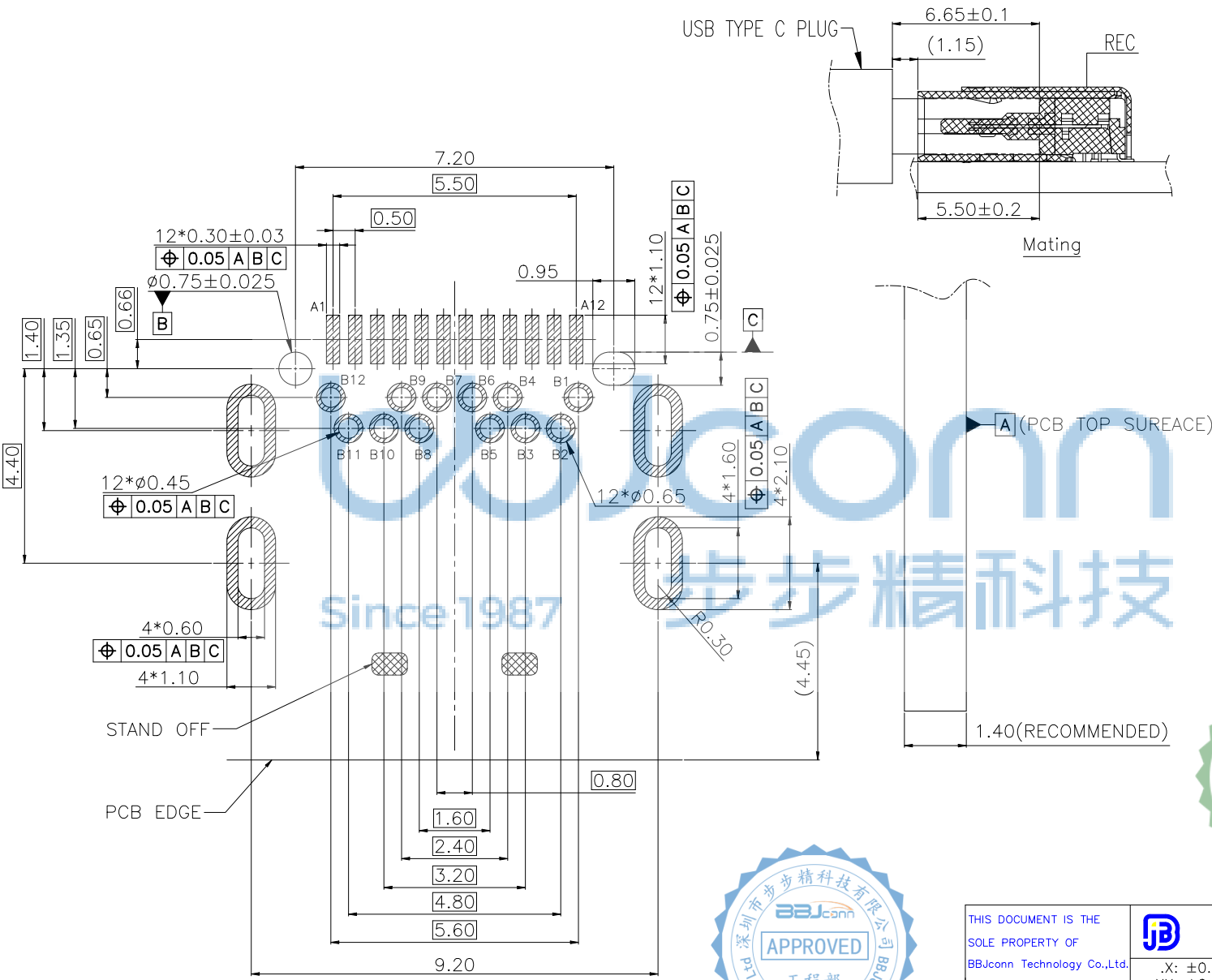


SECTION A-A
SCALE 1:1



THIS DOCUMENT IS THE SOLE PROPERTY OF BBJconn Technology Co., Ltd. Corporation AND SHOULD NOT BE USED IN WHOLE OR IN PART WITHOUT PRIOR WRITTEN PERMISSION.		深圳市步步精科技有限公司	
PDWG.NO: 0481-1		NAME: TYPE-C 24P 母座 板上四脚插 带柱 双壳 L=9.65 CH=1.60 端子SMT+DIP	
APPD. JM_Zheng	CHKD. LYX	DR. TSP	PJ. NO.: UC.01.12-1W-0003
SCALE: N/A		REV.: A0	UNIT: mm
PAGE: 1/3			

REV.	ECN NO.	CONTENT	DATE	ENGINEER
A0				



- Specifications:
- Electrical performance:
 - Contact resistance: 40mΩ max for initial, 10mΩ change after test, measure at 20mv, 100mA.
 - Dielectric withstanding voltage: AC 100V(rms).
 - Insulation resistance: 100MΩ min.
 - Contact current rating: 5A for Vbus pin; 1.25A for Vconn and GND pin; 0.25A for all the other pin.
 - Voltage: 5 Vac (rms).
 - Mechanical performance:
 - Mating force: 5~20N
 - Unmating force: 8~20N Initial test, 6~20N After test
 - Durability: 10,000 cycles.
 - Environmental performance:
 - Temperature range:
 - Operating temperature: -40°to+85°.
 - Storage temperature: -20°to+60°.
 - Material:
 - Housing: LCP Black, UL94-V0.
 - Contact: C7025, T=0.12mm
 - Mid-plate: SUS301, T=0.15mm
 - Shell-in: SUS304 T=0.30mm
 - Shell-out: SUS301 T=0.20mm
 - Plating specification:
 - Contact: Au (see table) plated on contact area, Gold flash plated on solder area; Nickel 50u"min underplating over all.
 - Shell-out: Nickel 30u"min plating over all.
 - Shell-in: Black Nickel 50u"min plating over all.
 - Mid-plate: Clean.

A1	GND	B12	GND
A2	SSTXP1	B11	SSRXP1
A3	SSTXN1	B10	SSRXN1
A4	VBUS	B9	VBUS
A5	CC1	B8	SBU2
A6	DP1	B7	DN2
A7	DN1	B6	DP2
A8	SBU1	B5	CC2
A9	VBUS	B4	VBUS
A10	SSRXN2	B3	SSTXN2
A11	SSRXP2	B2	SSTXP2
A12	GND	B1	GND
PIN	SIGNAL NAME	PIN	SIGNAL NAME



RECOMMENDED PCB LAYOUT SCALE 2:1
TOLERANCE: ±0.05mm
STAND OFF AREA

THIS DOCUMENT IS THE SOLE PROPERTY OF BBJconn Technology Co., Ltd. CORPORATION AND SHOULD NOT BE USED IN WHOLE OR IN PART WITHOUT PRIOR WRITTEN PERMISSION.

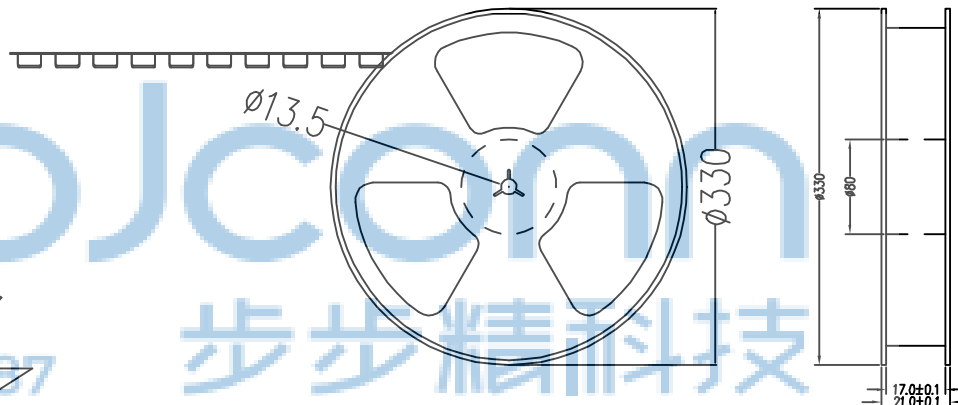
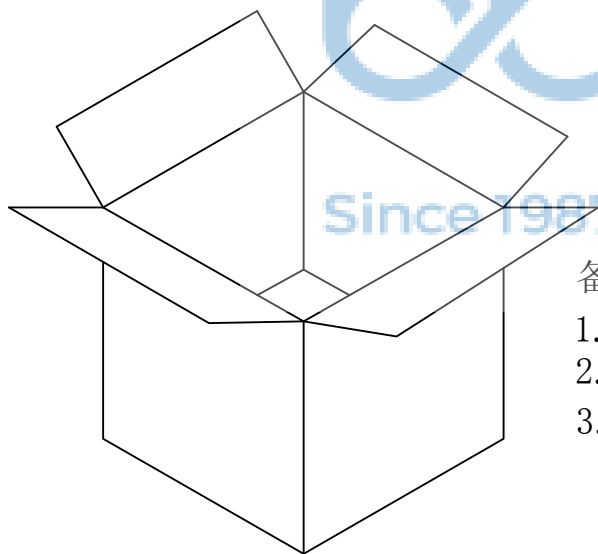
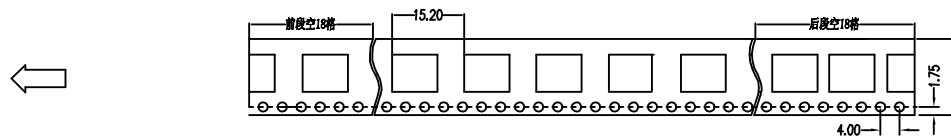
PDWG. NO: 0481-1

APPD. JM_Zheng
CHKD. LYX
DR. TSP

NAME: TYPE-C 24P 母座 板上四脚插 带柱 双壳 L=9.65 CH=1.60 端子SMT+DIP

PJ. NO.: UC.01.12-1W-0003
SIZE: A4 DRW NO.:
FINISH: SEE NOTES MAT'L.: SEE NOTES
SCALE: N/A REV.: A0 UNIT: mm PAGE: 2/3

深圳市步步精科技有限公司



备注:

1. 包装数量: 750/PCS/卷, 10卷/箱。
2. 包装袋长度: 每卷前后各空10-20个空格, 中间包装。
3. 材质:
载体: 聚丙烯 (PS), 阻抗 $10^{6-9} \Omega$
上带: 聚乙烯 (PET), 阻抗 $10^{6-11} \Omega$
卷盘: 聚苯乙烯。

纸箱规格: 345*345*23MM

纸箱规格: 345*345*35MM

THIS DOCUMENT IS THE SOLE PROPERTY OF BBJconn Technology Co.,Ltd. Corporation AND SHOULD NOT BE USED IN WHOLE OR IN PART WITHOUT PRIOR WRITTEN PERMISSION.		深圳市步步精科技有限公司	
.X: ±0.38 .XX: ±0.25 .XXX: ±0.13		X': ±3" .X': ±2" .XX': ±1"	
APPD.	JM_Zheng	NAME: TYPE-C 24P 母座 板上四脚插 带柱 双壳 L=9.65 CH=1.60 端子SMT+DIP	
CHKD.	LYX	PJ. NO.: UC.01.12-1W-0003	
DR.	TSP	SIZE: A4 DRW NO.:	
PDWG.NO: 0481-1		FINISH: SEE NOTES MAT'L.: SEE NOTES	
		SCALE: N/A REV.: A0 UNIT: mm PAGE: 3/3	