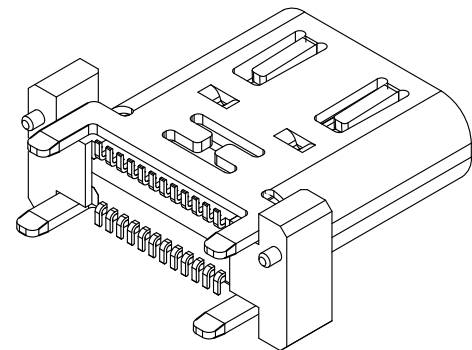
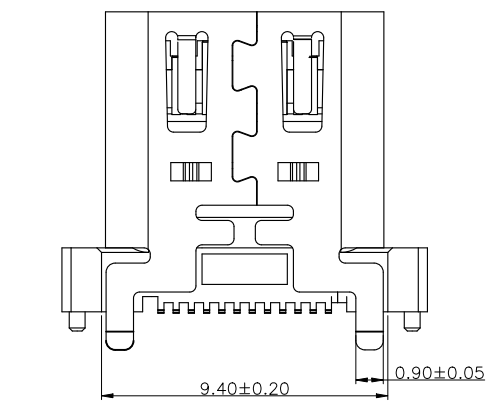
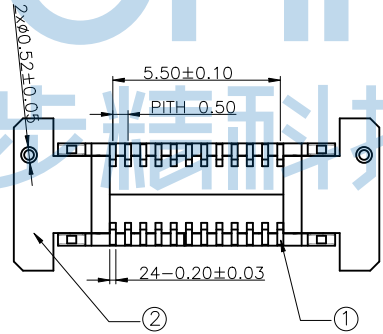
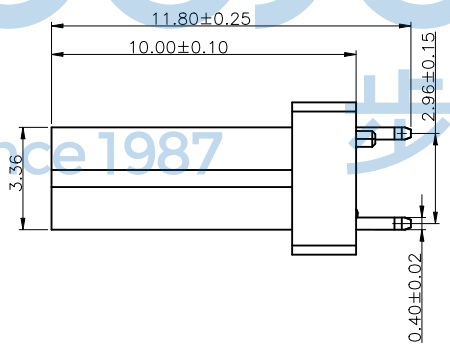
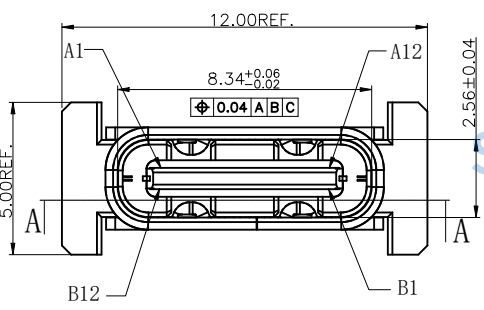
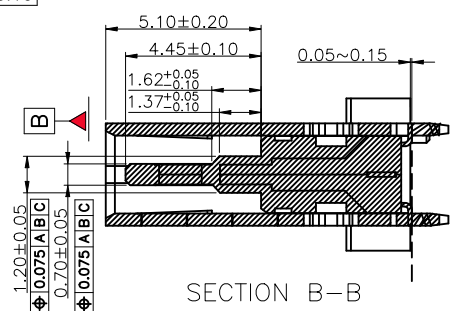
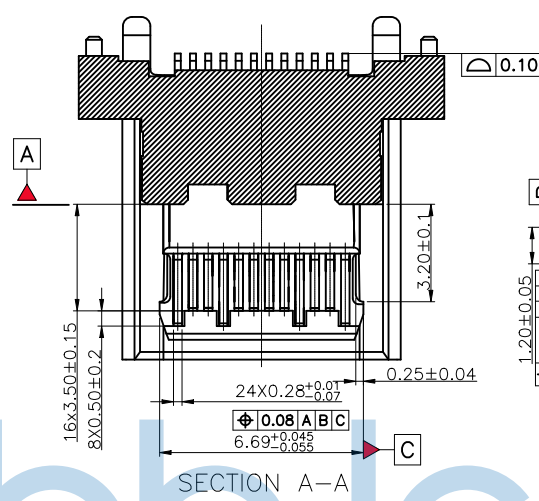
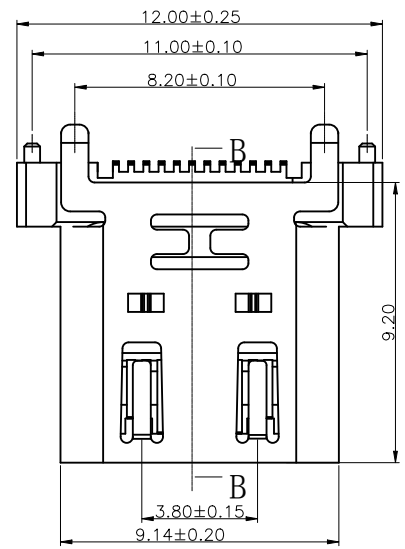


REV.	ECN NO	CONTENT	DATE	ENGINEER
A0		Initial release	/	TSP

NOTE:  
1. MATERIAL:  
1.1 INSULATOR: HIGH TEMPERATURE PLASTIC UL 94 V-0; Black Color  
1.2 CONTACT: C7025 (T=0.12mm)  
1.3 SHELL: STAINLESS STEEL (T=0.30mm)  
1.4 INNER GROUND COVER SHELL: STAINLESS STEEL (T=0.10mm)  
1.5 MID PLATE: STAINLESS STEEL (T=0.15mm)  
2. ELECTRICAL CHARACTERISTICS:  
2.1 CONTACT RESISTANCE: 40mΩ Max FOR INITIAL. 10mΩ CHANGE AFTER TEST. MEASURE AT 20mV, 100mA.  
2.2 CONTACT CURRENT RATING: 5A FOR COLLECTIVELY POWER SUPPLY PIN (PINAL, A4, A9, A12, B1, B4, B9, B12); 1.25A FOR VCONN PIN; 0.25A FOR OTHER SIGNAL PIN.  
2.3 DIELECTRIC WITHSTANDING VOLTAGE: 100V AC R.M.S.  
2.4 INSULATION RESISTANCE 100MΩ Min  
2.5 OPERATING TEMPERATURE: -40° C ~ 85° C  
3. MECHANICAL CHARACTERISTICS:  
3.1 MATING FORCE: 5~20 N.  
3.2 UNMATED FORCE: 8~20N INITIAL TEST; 6~20N DURABILITY AFTER TEST  
3.3 DURABILITY: 10,000 CYCLES  
4. PLATING  
4.1 TERMINAL CONTACT: Au G/F PLATING ON CONTACT AREA; TIN 50u'' Min TING ON SOLDER TAIL, NI 50u'' Min UNDERPLATING OVERALL  
4.2 SHELL: 50u'' Min. NICKEL ALL OVER,  
4.3 MID PLATE: CLEAN



5	CAP	LCP 6007AS UL94V-0	BLACK	1PCS
4	SHELL	SUS304 T=0.40mm	Ni 50u'' Min Plated	1PCS
3	LATCH	SUS301-H T=0.15mm	NO PLATED	1PCS 48H
2	CONTACT	C7025 T=0.12mm	Au G/F PLATING ON CONTACT AREA; TIN 50u'' Min TING ON SOLDER TAIL; NI 50u'' Min UNDERPLATING OVERALL	1SET
1	HOUSING	LCP UL94V-0	BLACK	1PCS
NO.	DESCRIPTION	MATERIAL	REMARKS	QTY 盐雾

THIS DOCUMENT IS THE SOLE PROPERTY OF BBJconn Technology Co., Ltd. CORPORATION AND SHOULD NOT BE USED IN WHOLE OR IN PART WITHOUT PRIOR WRITTEN PERMISSION FROM BBJconn Technology Co., Ltd.

PDWG. NO: 0853-1

DR. TSP

APPD. JM\_Zheng

CHKD. LYX

NAME: TYPE-C 24P 母座 直立 四脚插 带柱 端子 SMT 镀金 G-F 加宽款 仿 JAE H=10.0 LCP 黑胶 带帘

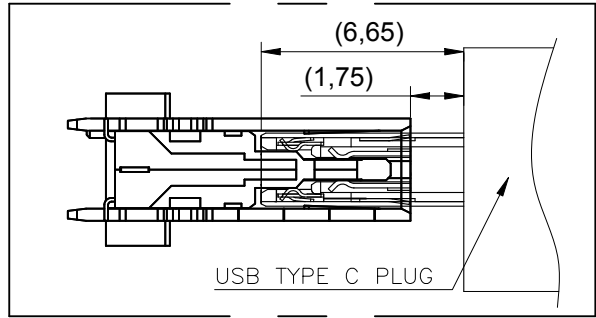
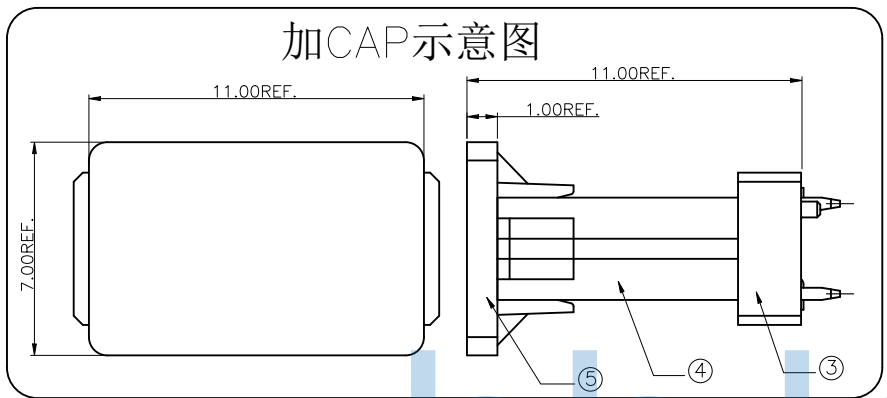
PJ. NO.: UC.01.52-1W-0052

SIZE: A4 DRW NO.:

FINISH: SEE NOTES MAT'L.: SEE NOTES

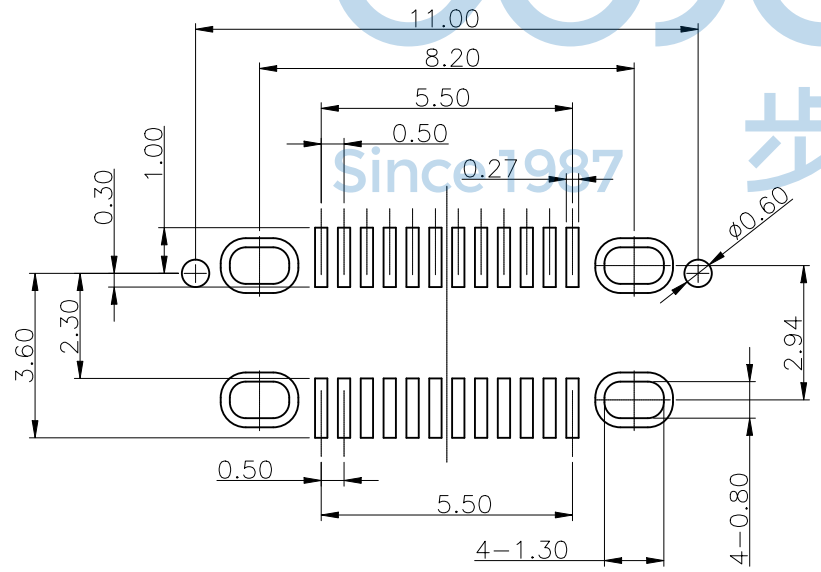
SCALE: N/A REV.: A0 UNIT: mm PAGE: 1/3

深圳市步步精科技有限公司



USB TYPE-C FULL-FEATURED RECEPTACLE INTERFACE PIN ASSIGNMENTS

PIN	Signal Name	Description	PIN	Signal Name	Description
A1	GND	Ground return	B12	GND	Ground return
A2	SSTXp1	Positive half of first SuperSpeed TX differential pair	B11	SSRXp1	Positive half of first SuperSpeed RX differential pair
A3	SSTXn1	Negative half of first SuperSpeed TX differential pair	B10	SSRXn1	Negative half of first SuperSpeed RX differential pair
A4	VBUS	Bus Power	B9	VBUS	Bus Power
A5	CC1	Configuration Channel	B8	SBU2	Sideband Use (SBU)
A6	Dp1	Positive half of the USB 2.0 differential pair-Position 1	B7	Dn2	Negative half of the USB 2.0 differential pair-Position 2
A7	Dn1	Negative half of the USB 2.0 differential pair-Position 1	B6	Dp2	Positive half of the USB 2.0 differential pair-Position 2
A8	SBU1	Sideband Use (SBU)	B5	CC2	Configuration Channel
A9	VBUS	Bus Power	B4	VBUS	Bus Power
A10	SSRXn2	Negative half of second SuperSpeed RX differential pair	B3	SSTXn2	Negative half of second SuperSpeed TX differential pair
A11	SSRXp2	Positive half of second SuperSpeed RX differential pair	B2	SSTXp2	Positive half of second SuperSpeed TX differential pair
A12	GND	Ground return	B1	GND	Ground return



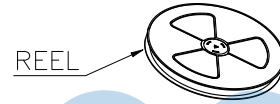
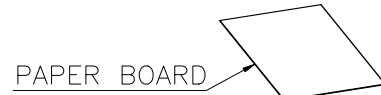
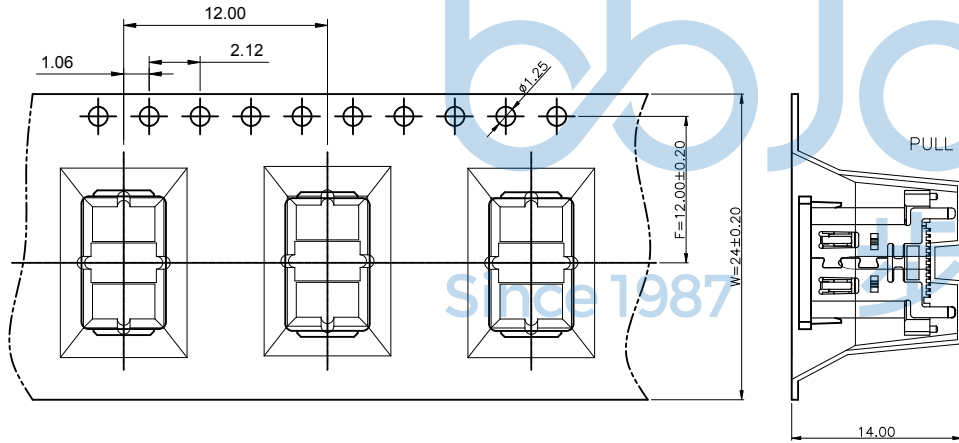
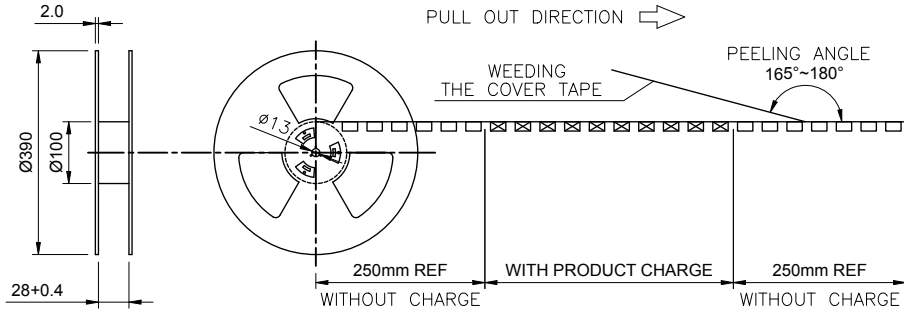
RECOMMENDED P.C.B. LAYOUT (T:1.00mm)  
TOLERANCE UNSPECIFIED ±0.05mm

THIS DOCUMENT IS THE SOLE PROPERTY OF BBJconn Technology Co., Ltd. AND SHOULD NOT BE USED IN WHOLE OR IN PART WITHOUT PRIOR WRITTEN PERMISSION. PDWG. NO: 0853-1		深圳市步步精科技有限公司	
.X: ±0.38 .XX: ±0.25 .XXX: ±0.13		X': ±3' X'': ±2' X'': ±1'	
APPD.	JM_Zheng	NAME: TYPE-C 24P 母座 直立式 四脚插 带柱 端子SMT镀金G-F 加宽款 仿JAE H=10.0 LCP黑胶 编带	
CHKD.	LYX	PJ. NO.: UC.01.52-1W-0052 SIZE: A4 DRW NO.:	
DR.	TSP	FINISH: SEE NOTES MAT'L.: SEE NOTES SCALE: N/A REV.: A0 UNIT: mm PAGE: 2/3	

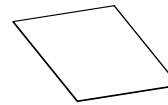
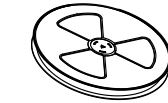


REV.	ECN NO	CONTENT	DATE	ENGINEER
A0		Initial release	/	TSP

450	10	4500PCS
PCS/卷	卷/箱	箱

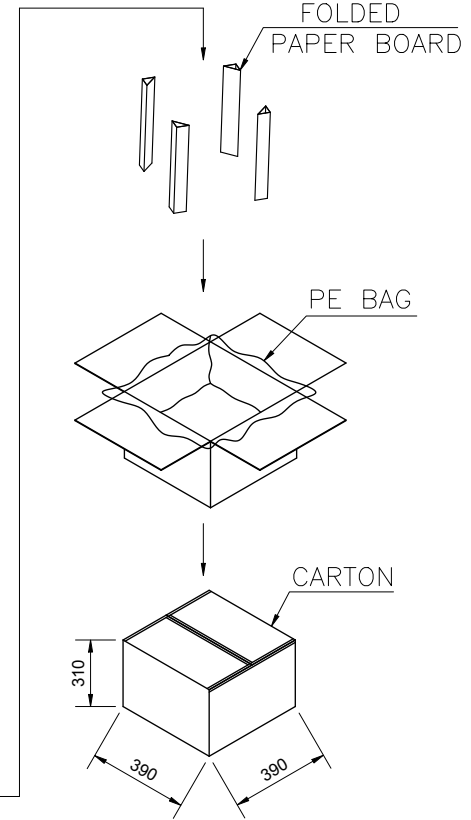


PULL OUT DIRECTION



NOTE:

1. QUANTITY: 450 PCS/RELL, 4500PCS/CARTON.



注意:

1. 材料:

- 纸箱: 纤维板, 瓦楞, 双层壁。
- 胶带: 聚苯乙烯, 耐热温度: 120℃, 白。
- 卷筒: 聚苯乙烯, 耐热温度: 70℃, 蓝色。
- 包装: 聚乙烯, 耐热温度: 100℃。

2. 剥离强度: 0.1 ~ 1.3 N(10 ~ 130克)

3. 脱皮速度: 300mm /min.

4. 每个袋子都应包括干燥剂\*2。

5. 外箱上贴号物料标签及RHOS标签

6. 同一产品只能装同一纸箱, 不允其它产品;

7. 包装后, 产品铆合面朝外; 柱子朝内;



THIS DOCUMENT IS THE SOLE PROPERTY OF BBJconn Technology Co., Ltd. Corporation AND SHOULD NOT BE USED IN WHOLE OR IN PART WITHOUT PRIOR WRITTEN PERMISSION.		深圳市步步精科技有限公司 .X: ±0.38    .X': ±3" .XX: ±0.25    .X": ±2" .XXX: ±0.13    .XX': ±1"		NAME: TYPE-C 24P 母座 直立式 四脚插 带柱 端子SMT镀金G-F 加宽款 仿JAE H=10.0 LCP黑胶 编带 PJ. NO.: UC.01.52-1W-0052 SIZE: A4   DRW NO.: FINISH: SEE NOTES   MAT'L.: SEE NOTES SCALE: N/A   REV.: A0   UNIT: mm   PAGE: 3/3	
APPD.	JM_Zheng	CHKD.	LYX	DR.	TSP
DWG. NO: 0853-1					