

REV.	ECN NO	CONTENT	DATE	ENGINEER
A0		Initial release	/	TSP

备注 (NOTE):

1 材质:

1.1 胶芯: LCP UL94 V-0

1.2 端子: C2680, T=0.2mm; 镍底, 镀金

1.3 外壳: 不锈钢201-H 表面镀镍

2. 电气特性:

2.1 接触区: 接触电阻40mΩ Max, 允许10mΩ变化量. 测试条件: 20mv, 100mA下测量.

2.2 接触电流: 3A VBUS引脚; 1.25A用于GND引脚; 其他引脚为0.25A.

2.3 额定电压: 5V.

2.4 耐电电压: 100VAC.

2.5 绝缘电阻: 至少100兆欧.

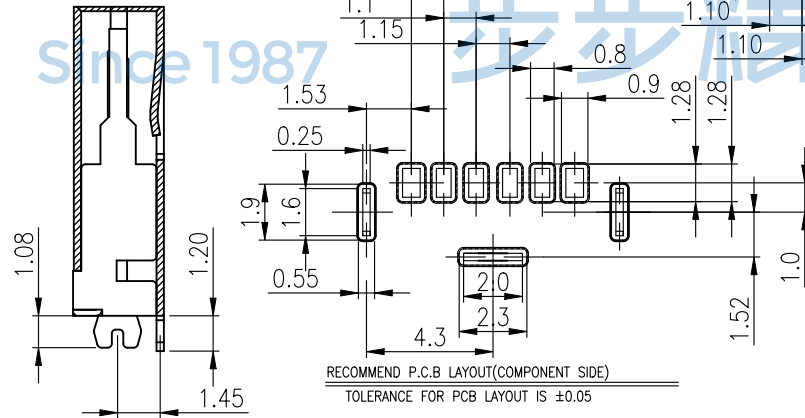
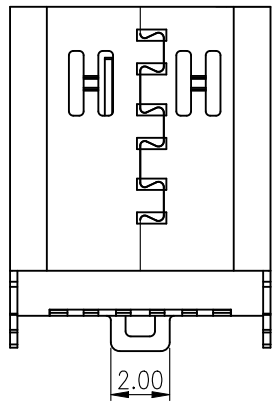
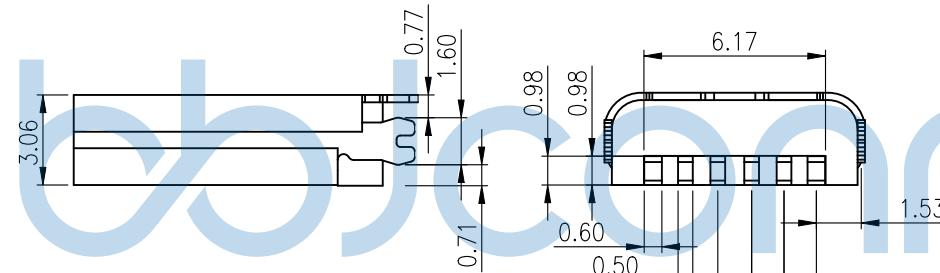
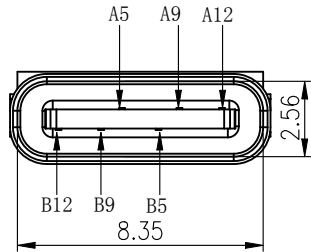
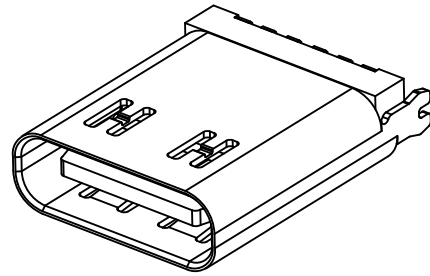
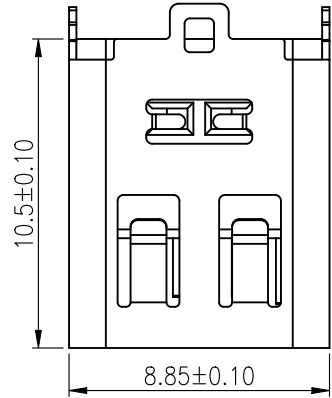
3. 机械性能:

3.1 插入力: 0.5-2.0Kg

3.2 拔出力: 0.6-2.04Kg

3.3 插拔次数: 5000次.

4. 工作环境: -20°C to +85°C.



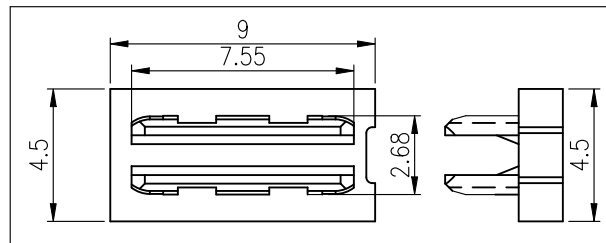
RECOMMEND P.C.B LAYOUT (COMPONENT SIDE)
TOLERANCE FOR PCB LAYOUT IS ±0.05

TABLE:

NO	PART	Q'TY	Material
1	SHELL	1	ZINC ALLOY, NI30u"Min PLATED
2	CONTACT	6	C2680, TIN80u"/Au1u"/NI30u" PLATED
3	1MD HOUSING	1	LCP UL94 V-0 BLACK
4	CAP	1	LCP UL94 V-0 BLACK
5	WATERPROOF RING	1	SILICONE UL94 V-0 BLACK

E USB TYPE C PIN ASSIGNMENTS

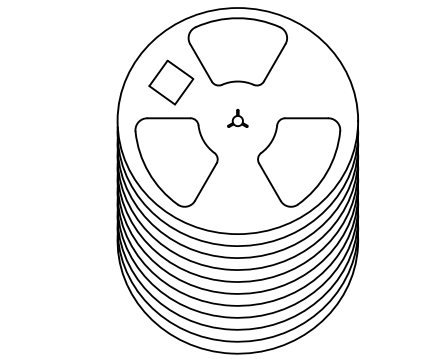
PIN NUMBER	SIGNAL NAME	PIN NUMBER	SIGNAL NAME
		B12	GND
		B9	VBUS
A5	CC1	B5	CC2
A9	VBUS		
A12	GND		



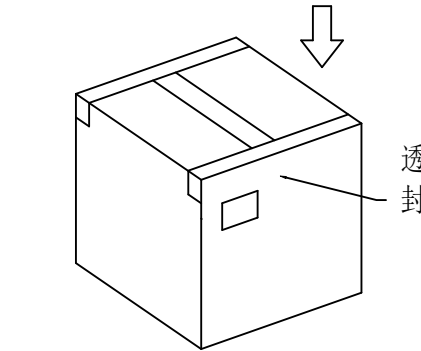
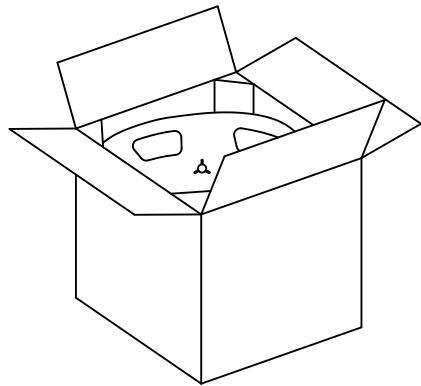
THIS DOCUMENT IS THE SOLE PROPERTY OF BBJconn Technology Co., Ltd. Corporation AND SHOULD NOT BE USED IN WHOLE OR IN PART WITHOUT PRIOR WRITTEN PERMISSION.
PDWG. NO: 0057-1

深圳市步步精科技有限公司

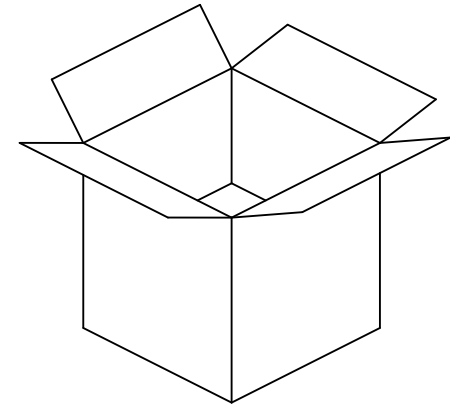
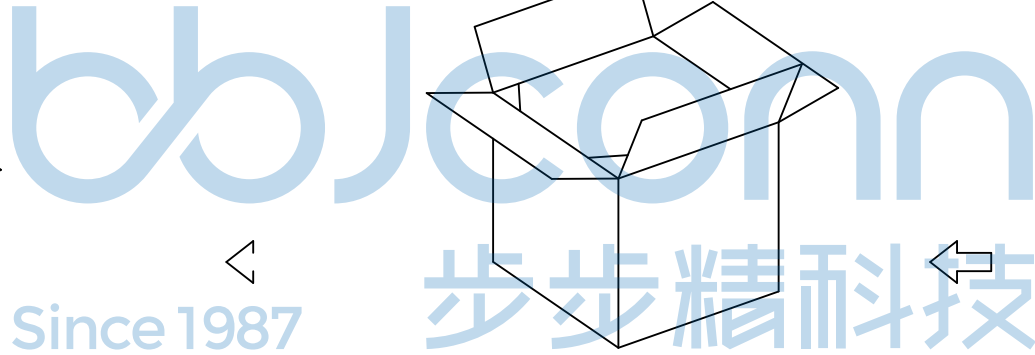
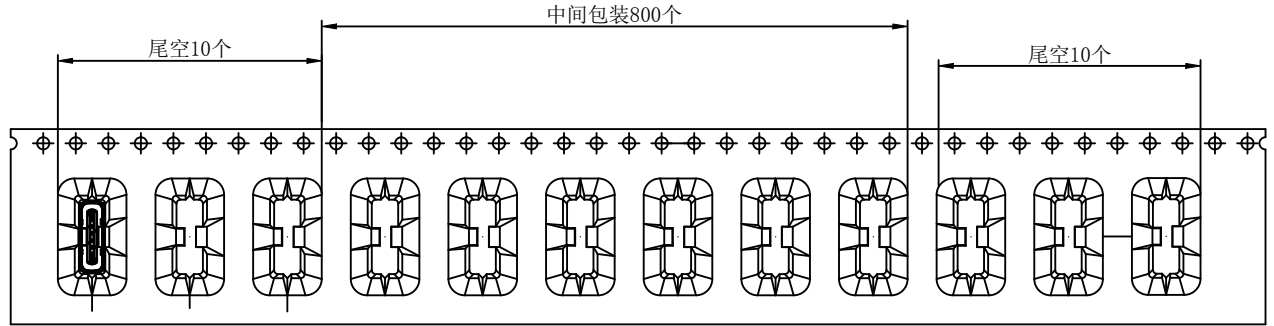
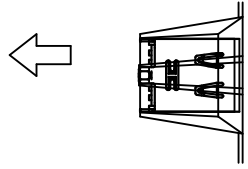
NAME:	TYPE-C 6P 母座 直立式 三脚插 端子 SMT H=10.50		
APPD.	JM_Zheng	PJ. NO.:	126-224-060001-H3G
CHKD.	LYX	SIZE:	A4 DRW NO.:
DR.	TSP	FINISH:	SEE NOTES
		MAT'L.:	SEE NOTES
		SCALE:	N/A
		REV.:	A0
		UNIT:	mm
		PAGE:	1/2



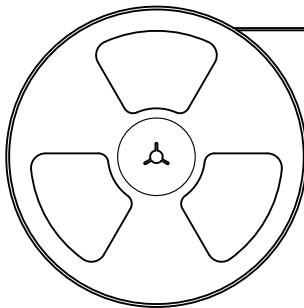
10盘 ↓



8K/箱



收料方向



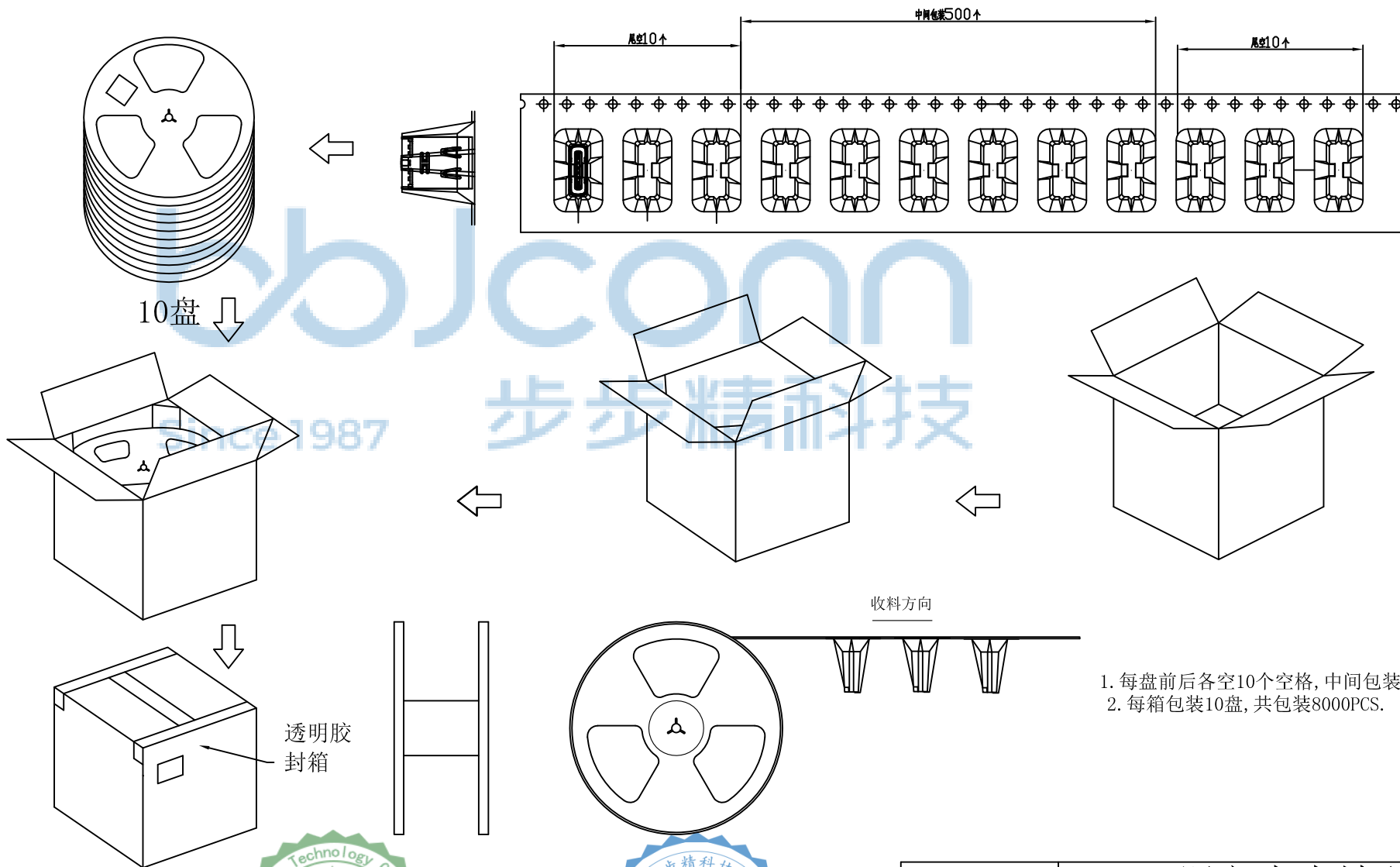
0.8K/盘

1. 每盘前后各空10个空格, 中间包装800PCS.
2. 每箱包装10盘, 共包装8000PCS.



THIS DOCUMENT IS THE SOLE PROPERTY OF BBJconn Technology Co.,Ltd. Corporation AND SHOULD NOT BE USED IN WHOLE OR IN PART WITHOUT PRIOR WRITTEN PERMISSION.		深圳市步步精科技有限公司	
.X: ±0.38 .XX: ±0.25 .XXX: ±0.13		X': ±3" .X': ±2" .XX': ±1"	
APPD.	JM_Zheng	NAME: TYPE-C 6P 母座 直立式 三脚插 端子SMT H=10.50	
CHKD.	LYX	PJ. NO.: 126-224-060001-H3G	
DR.	TSP	SIZE: A4 DRW NO.:	
PDWG.NO:	0057-1	FINISH: SEE NOTES MAT'L.: SEE NOTES	
		SCALE: N/A REV.: A0 UNIT: mm PAGE: 2/2	

REV.	ECN NO.	CONTENT	DATE	ENGINEER
A0				



1. 每盘前后各空10个空格, 中间包装800PCS.
2. 每箱包装10盘, 共包装8000PCS.



THIS DOCUMENT IS THE SOLE PROPERTY OF BBJconn Technology Co.,Ltd. Corporation AND SHOULD NOT BE USED IN WHOLE OR IN PART WITHOUT PRIOR WRITTEN PERMISSION.		深圳市步步精科技有限公司 .X: ±0.38 .X': ±3' .XX: ±0.25 .X'': ±2' .XXX: ±0.13 .XX': ±1'		NAME:	
APPD.	JM_Zheng	PJ. NO.: 126-224-060001-H3G SIZE: A4 DRW NO.:		FINISH: SEE NOTES MAT'L.: SEE NOTES	
CHKD.	LYX	SCALE: N/A		REV.: A0	UNIT: mm
PDWG.NO:	DR. LHC			PAGE: 1/2	