

REV.	ECN NO.	CONTENT	DATE	ENGINEER
A0			2023 20/04	



备注 (NOTE):

1 材质:

- 1.1 胶芯: LCP UL94 V-0
- 1.2 端子: C2680, T=0.2mm; 镍底, 镀金
- 1.3 外壳: 不锈钢201-H 表面镀镍

2 电气特性:

- 2.1 接触区: 接触电阻40mΩ Max, 允许10mΩ变化量. 测试条件: 20mv, 100mA下测量.
- 2.2 接触电流: 3A VBUS引脚; 1.25A用于GND引脚; 其他引脚为0.25A.
- 2.3 额定电压: 5V.
- 2.4 耐电压: 100VAC.
- 2.5 绝缘电阻: 至少100兆欧.

3 机械性能:

- 3.1 插入力: 0.5-2.0Kg
- 3.2 拔出力: 0.6-2.04Kg
- 3.3 插拔次数: 5000次.
- 4 工作环境: -20℃ to +85℃.

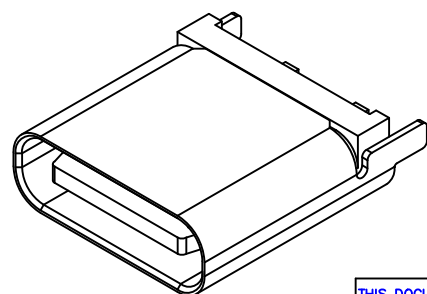
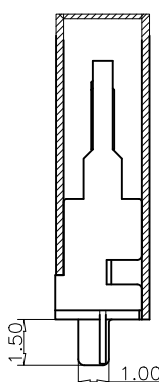
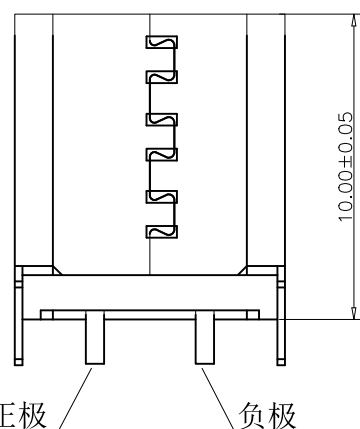
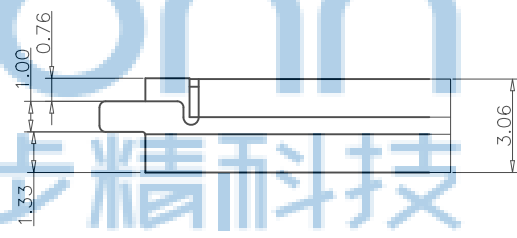
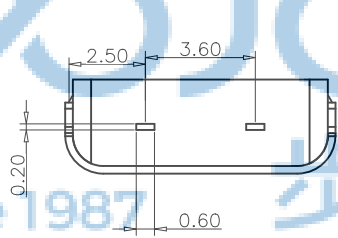
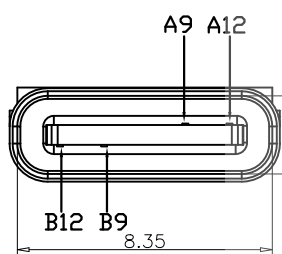
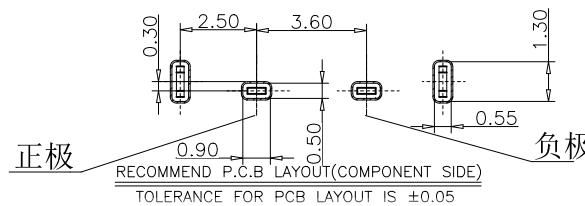
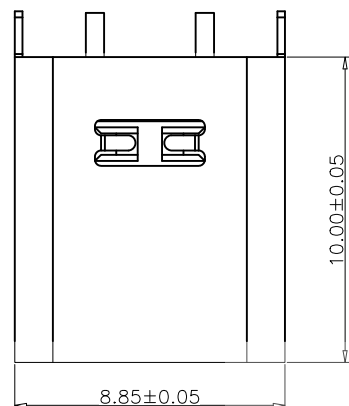


TABLE:

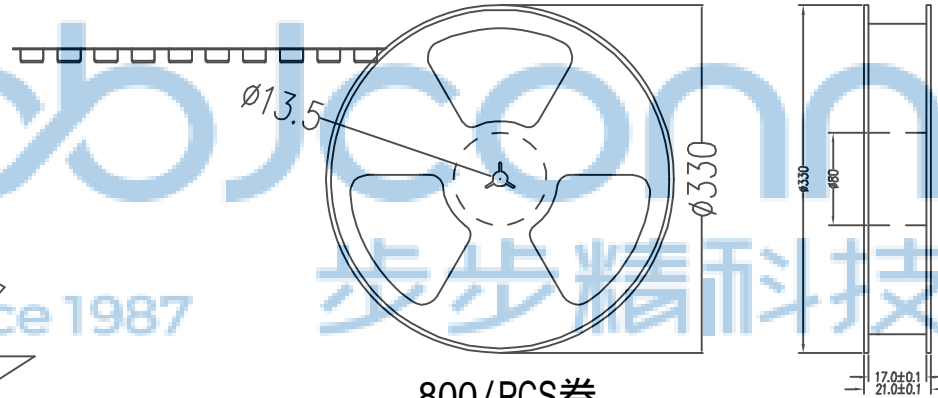
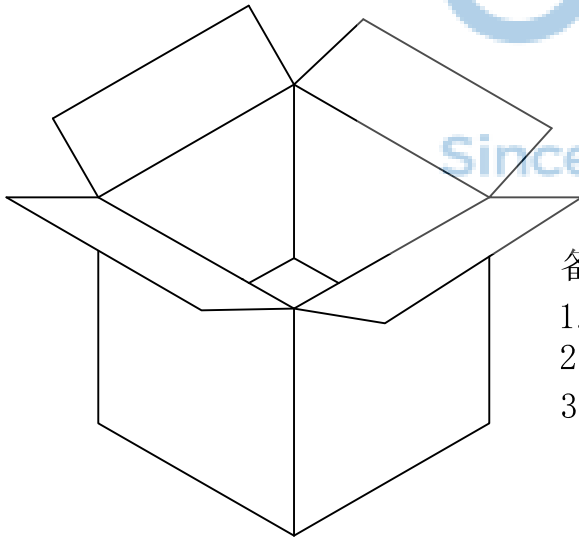
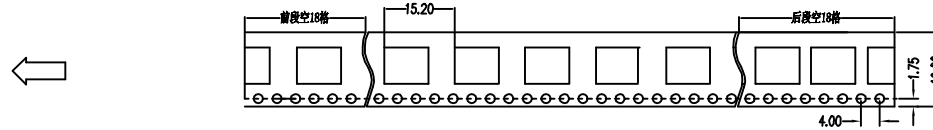
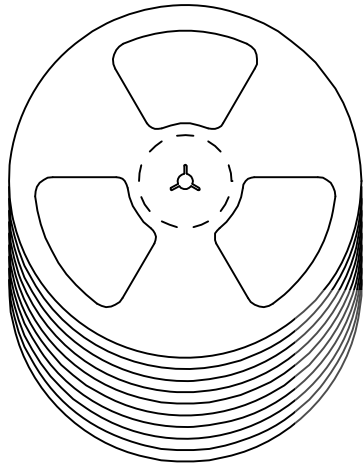
NO	PART	Q'TY	Material
1	SHELL	1	ZINC ALLOY, NI30u" Min PLATED
2	CONTACT	6	C2680, TIN80u"/Au1u"/NI30u" PLATED
3	1MD HOUSING	1	LCP UL94 V-0 BLACK
4	CAP	1	LCP UL94 V-0 BLACK
5	WATERPROOF RING	1	SILICONE UL94 V-0 BLACK

THIS DOCUMENT IS THE SOLE PROPERTY OF BBJconn Technology Co., Ltd Corporation AND SHOULD NOT BE USED IN WHOLE OR IN PART WITHOUT PRIOR WRITTEN PERMISSION.
PDWG. NO: 0057-2

深圳市步步精科技有限公司

.X: ±0.38 .XX: ±0.25 .XXX: ±0.13	X': ±3" .X': ±2" .XX': ±1"	NAME: TYPE-C 2P 母座 直立式 H=10.0 两脚插 脚长1.50 端子DIP 加盖编带
APPD. JM_Zheng 23/05'02	CHKD. TSP 23/05'02	DR. LYX 23/05'02
P.J. NO.: 126-225-020003-H3G		SIZE: A4 DRW NO.:
FINISH: SEE NOTES		MAT'L.: SEE NOTES
SCALE: N/A		REV.: A3 UNIT: mm PAGE: 1/1

PIN NUMBER	SIGNAL NAME	PIN NUMBER	SIGNAL NAME
B12	GND	B9	VBUS
A5	CC1	B5	CC2
A9	VBUS		
A12	GND		



800/PCS卷



备注:

1. 包装数量: 800/PCS/卷, 10卷/箱或15卷/箱。
2. 包装袋长度: 每卷前后各空10-20个空格, 中间包装。
3. 材质:
载体: 聚丙烯 (PS), 阻抗 $10^{6-9} \Omega$
上带: 聚乙烯 (PET), 阻抗 $10^{6-11} \Omega$
卷盘: 聚苯乙烯。

纸箱规格: 345*345*23MM

纸箱规格: 345*345*35MM

THIS DOCUMENT IS THE SOLE PROPERTY OF BBJconn Technology Co.,Ltd Corporation AND SHOULD NOT BE USED IN WHOLE OR IN PART WITHOUT PRIOR WRITTEN PERMISSION.		深圳市步步精科技有限公司 .X: ± 0.38 .X': $\pm 3'$.XX: ± 0.25 .X': $\pm 2'$.XXX: ± 0.13 .XX': $\pm 1'$		NAME: TYPE-C 2P 母座 直立式 H=10.0 两脚插 脚长1.50 端子DIP 加盖编带	
APPD.	JM_Zheng	23/05/02		PJ. NO.: 126-225-020003-H3G	
CHKD.	TSP	23/05/02		SIZE: A4 DRW NO.:	
PDWG.NO:	0057-2	DR.	LYX	23/05/02	FINISH: SEE NOTES MAT'L.: SEE NOTES SCALE: N/A REV.: A3 UNIT: mm PAGE: 1/1