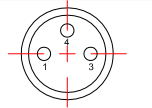
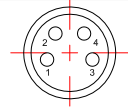
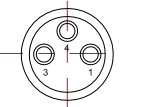
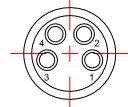
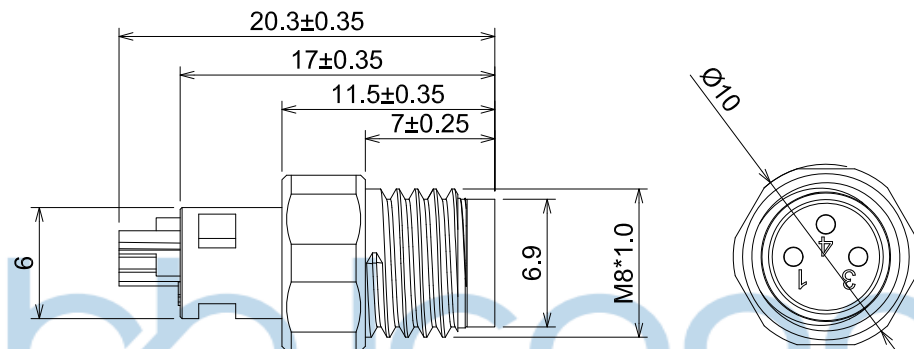


REV.	ECN NO	CONTENT	DATE	ENGINEER
A0		Initial release		LYX

执行标准	IEC61076-2-104	
Coding	M8A-03	M8A-04
Rated Voltage	50V AC / 60V DC	
Rated Current	4A	
Male Type		
Female Type		
环境温度	-25℃ ~ +85℃	
绝缘材料	PA	
绝缘阻抗	≥100MΩ	
接触阻抗	≤5MΩ	
防护等级	IP67	
插拔次数	>500次	


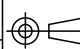


Since 1987

步步精科技

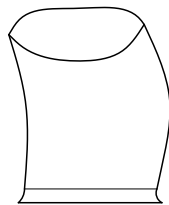


3	端子	铜合金 接触区镀金	PCS	3/4	
2	主体	PA66+25%F 黑色	PCS	1	
1	螺母/螺丝	铜合金 表面镀镍	PCS	1	
项	料号	名称	规格型号	单位	数量

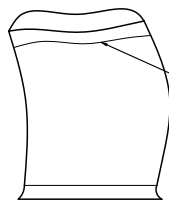
THIS DOCUMENT IS THE SOLE PROPERTY OF BBJconn Technology Co.,Ltd. Corporation AND SHOULD NOT BE USED IN WHOLE PRIOR WRITTEN PERMISSION.		 <b>深圳市步步精科技有限公司</b>	
.X: ±0.38 .XX: ±0.25 .XXX: ±0.13		X': ±3' X'': ±2' XX': ±1'	
NAME:	航插 M8A 4P 公线端 铜螺丝 不带屏蔽		
APPD	JM_Zheng	 PJ NO: 170-109-040003-J8G	
CHKD	Tang	SIZE:A4   DRW NO:	
PDWG NO: 1052-1	DR	LYX	FINISH:SEE NOTES   MAT'L:SEE NOTES SCALE:N/A   REV:A0   UNIT:mm   PAGE: 1/2

REV.	ECN NO	CONTENT	DATE	ENGINEER
A0		Initial release	/	LYX

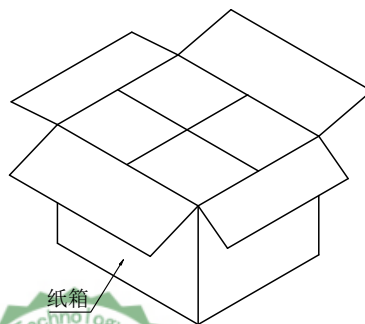
产品



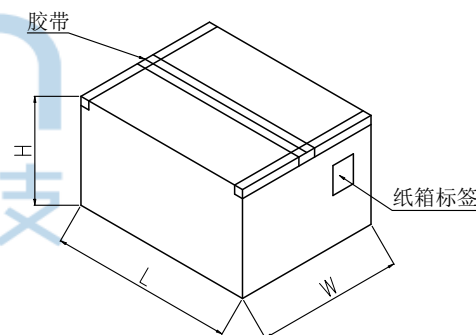
PE袋



袋口封合




纸箱



纸箱规格: L350\*W210\*H290



- 1、包装要求:
- 1.1 PE袋包装200pcs;
  - 1.2 纸箱外贴上标签

THIS DOCUMENT IS THE SOLE PROPERTY OF BBJconn Technology Co.,Ltd. Corporation AND SHOULD NOT BE USED IN WHOLE OR IN PART WITHOUT PRIOR WRITTEN PERMISSION.		 <b>深圳市步步精科技有限公司</b>	
PDWG.NO:	1052-1	DR.	LYX
APPD.	JM_Zheng	NAME:	航插 M8A 4P 公线端 铜螺丝 不带屏蔽
CHKD.	Tang	PJ. NO.:	170-109-040003-J8G
		SIZE:	A4 DRW NO.:
		FINISH:	SEE NOTES
		MAT'L.:	SEE NOTES
		SCALE:	N/A
		REV.:	A0
		UNIT:	mm
		PAGE:	2/2