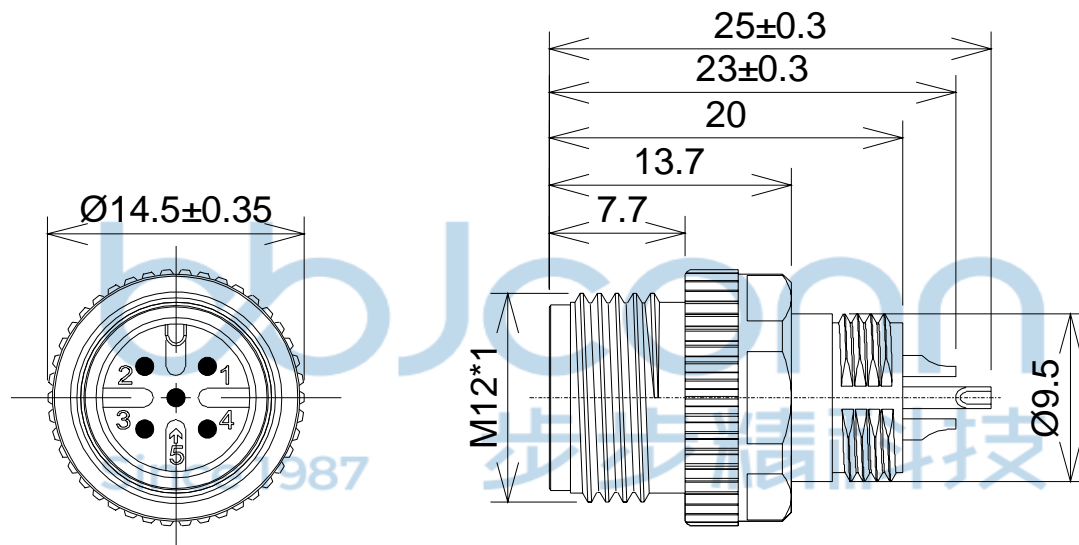


REV.	ECN NO	CONTENT	DATE	ENGINEER
A0		Initial release		LYX



技术参数:

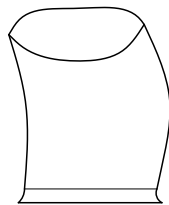
- 1、防水等级: IP67
- 2、工作温度: -25°C ~ +85°C
- 3、插拔次数: >500 次
- 4、额定电压: AC/DC 60V
- 5、额定电流: 4A
- 6、接触电阻: ≤3mΩ
- 7、导体材料: 铜 Ni/Au
- 8、绝缘材料: PA66
- 9、外壳材料: 黄铜镀镍



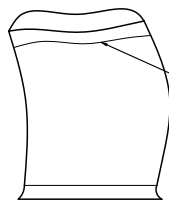
THIS DOCUMENT IS THE SOLE PROPERTY OF BBJconn Technology Co.,Ltd. Corporation AND SHOULD NOT BE USED IN WHOLE PRIOR WRITTEN PERMISSION.	深圳市步步精科技有限公司	
	.X: ±0.38 .XX: ±0.25 .XXX: ±0.13	X': ±3' .X': ±2' .XX': ±1'
	APPD	JM_Zheng
	CHKD	Tang
PDWG NO: 1052-1	DR	LYX
NAME: 航插 公座 M12A 5PIN 线端 铜六角螺丝 不带屏蔽		PJ NO: 170-109-050002-J8G SIZE:A4 DRW NO:
FINISH:SEE NOTES		MAT'L:SEE NOTES
SCALE:N/A	REV:A0	UNIT:mm PAGE: 1/2

REV.	ECN NO	CONTENT	DATE	ENGINEER
A0		Initial release	/	LYX

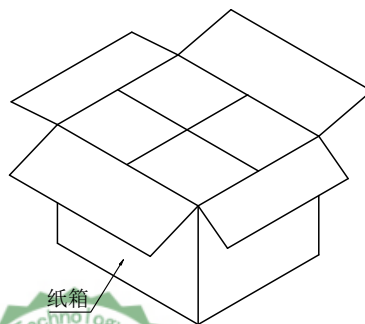
产品



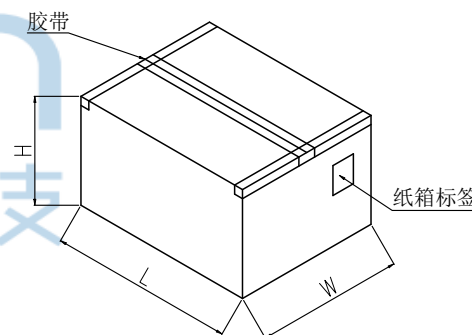
PE袋



袋口封合



纸箱



纸箱规格: L350\*W210\*H290



- 1、包装要求:
- 1.1 PE袋包装200pcs;
  - 1.2 纸箱外贴上标签



THIS DOCUMENT IS THE SOLE PROPERTY OF BBJconn Technology Co.,Ltd. Corporation AND SHOULD NOT BE USED IN WHOLE OR IN PART WITHOUT PRIOR WRITTEN PERMISSION.		深圳市步步精科技有限公司 .X: ±0.38    .X': ±3" .XX: ±0.25    .X'': ±2" .XXX: ±0.13    .XX': ±1"		NAME: 航插 公座 M12A 5PIN 线端 铜六角螺丝 不带屏蔽 PJ. NO.: 170-109-050002-J8G SIZE: A4   DRW NO.: FINISH: SEE NOTES   MAT'L.: SEE NOTES SCALE: N/A   REV.: A0   UNIT: mm   PAGE: 2/2	
APPD.	JM_Zheng				
CHKD.	Tang				
PDWG.NO:	1052-1	DR.	LYX		