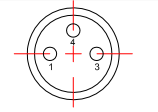
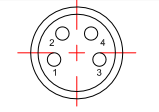
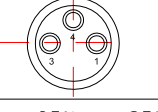
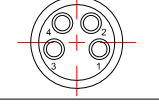
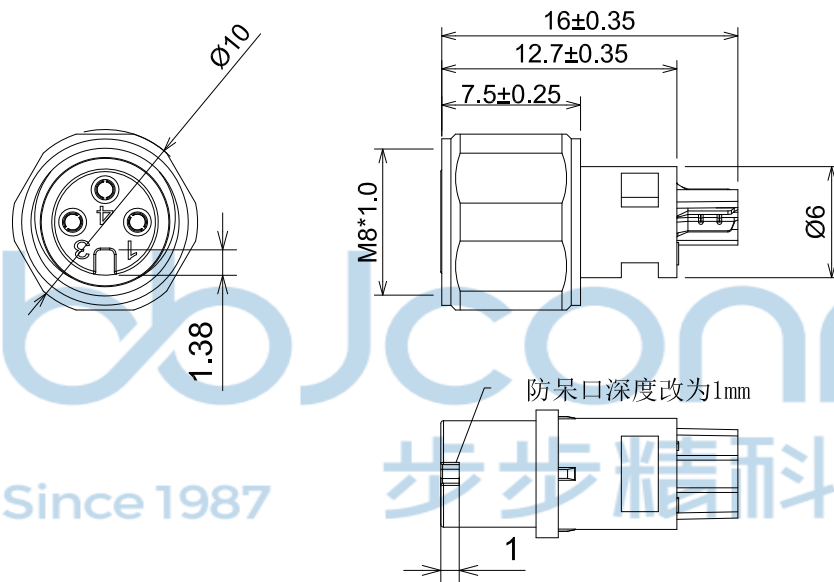


REV.	ECN NO	CONTENT	DATE	ENGINEER
A0		Initial release		LYX

执行标准	IEC61076-2-104	
Coding	M8A-03	M8A-04
Rated Voltage	50V AC / 60V DC	
Rated Current	4A	
Male Type		
Female Type		
环境温度	-25℃ ~ +85℃	
绝缘材料	PA	
绝缘阻抗	≥100MΩ	
接触阻抗	≤5MΩ	
防护等级	IP67	
插拔次数	>500次	



Since 1987

步步精科技



项	料号	名称	规格型号	单位	数量
3		端子	铜合金 接触区镀金	PCS	3/4
2		主体	PA66+25%F 黑色	PCS	1
1		螺母/螺丝	铜合金 表面镀镍	PCS	1

THIS DOCUMENT IS THE SOLE PROPERTY OF BBJconn Technology Co.,Ltd. Corporation AND SHOULD NOT BE USED IN WHOLE PRIOR WRITTEN PERMISSION.

PDWG NO: 1052-1

深圳市步步精科技有限公司

NAME: 航插 M8A 4P 母线端 铜螺母 不带屏蔽

PJ NO: 170-209-040001-J8G

SIZE:A4 | DRW NO:

FINISH:SEE NOTES | MAT'L:SEE NOTES

SCALE:N/A | REV:A0 | UNIT:mm | PAGE: 1/2

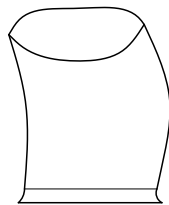
APPD: JM_Zheng

CHKD: Tang

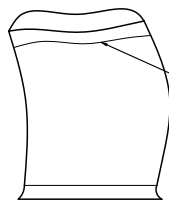
DR: LYX

REV.	ECN NO	CONTENT	DATE	ENGINEER
A0		Initial release	/	LYX

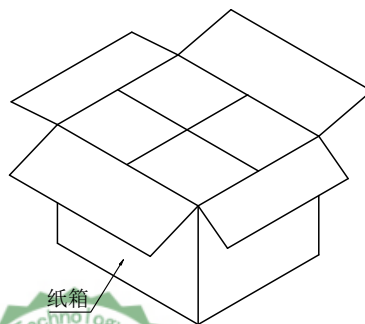
产品



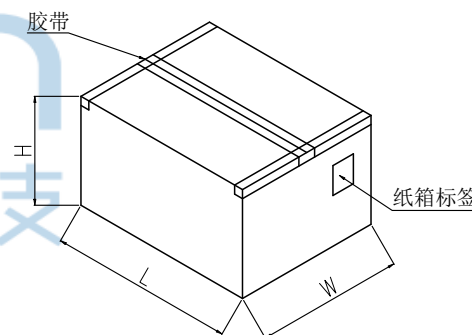
PE袋



袋口封合



纸箱



纸箱规格: L350*W210*H290



- 1、包装要求:
- 1.1 PE袋包装200pcs;
 - 1.2 纸箱外贴上标签



THIS DOCUMENT IS THE SOLE PROPERTY OF BBJconn Technology Co.,Ltd. Corporation AND SHOULD NOT BE USED IN WHOLE OR IN PART WITHOUT PRIOR WRITTEN PERMISSION.		深圳市步步精科技有限公司 .X: ±0.38 .X': ±3" .XX: ±0.25 .X": ±2" .XXX: ±0.13 .XX': ±1"		NAME: 航插 M8A 4P 母线端 铜螺母 不带屏蔽 PJ. NO.: 170-209-040001-J8G SIZE: A4 DRW NO.: FINISH: SEE NOTES MAT'L.: SEE NOTES SCALE: N/A REV.: A0 UNIT: mm PAGE: 2/2	
APPD.	JM_Zheng				
CHKD.	Tang				
PDWG.NO:	1052-1	DR.	LYX		