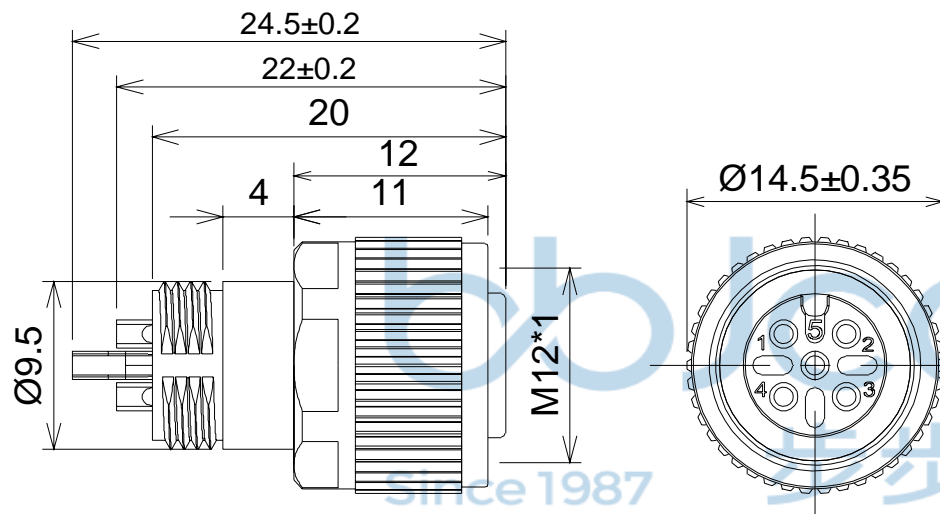


REV.	ECN NO	CONTENT	DATE	ENGINEER
A0		Initial release		LYX

技术参数:

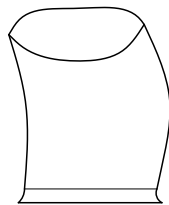
- 1、防水等级: IP67
- 2、工作温度: $-25^{\circ}\text{C} \sim +85^{\circ}\text{C}$
- 3、插拔次数: >500 次
- 4、额定电压: AC/DC 60V
- 5、额定电流: 4A
- 6、接触电阻: $\leq 3\text{m}\Omega$
- 7、导体材料: 铜 Ni/Au
- 8、绝缘材料: PA66
- 9、防水圈: 硅胶
- 10、外壳材料: 黄铜镀镍



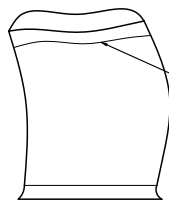
THIS DOCUMENT IS THE SOLE PROPERTY OF BBJconn Technology Co.,Ltd. Corporation AND SHOULD NOT BE USED IN WHOLE PRIOR WRITTEN PERMISSION.	深圳市步步精科技有限公司		NAME: 航插 母座 M12A 5P 线端 铜六角螺母 不带屏蔽	
	APPD	JM_Zheng	PJ NO: 170-209-050001-J8G	
	CHKD	Tang	SIZE:A4	DRW NO:
	PDWG NO: 1052-1	DR	LYX	FINISH:SEE NOTES SCALE:N/A REV:A0 UNIT:mm PAGE: 1/2

REV.	ECN NO	CONTENT	DATE	ENGINEER
A0		Initial release	/	LYX

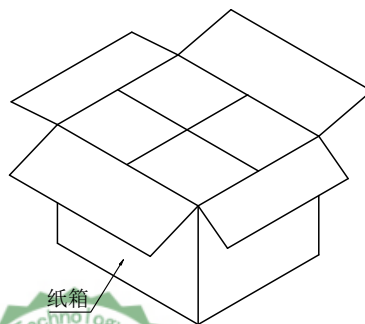
产品



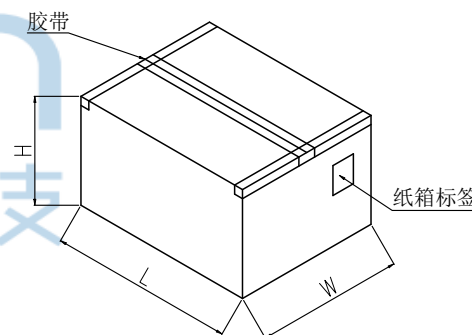
PE袋



袋口封合



纸箱



纸箱规格: L350*W210*H290



- 1、包装要求:
- 1.1 PE袋包装200pcs;
 - 1.2 纸箱外贴上标签



THIS DOCUMENT IS THE SOLE PROPERTY OF BBJconn Technology Co.,Ltd. Corporation AND SHOULD NOT BE USED IN WHOLE OR IN PART WITHOUT PRIOR WRITTEN PERMISSION.		深圳市步步精科技有限公司 NAME: 航插 母座 M12A 5P 线端 铜六角螺母 不带屏蔽 PJ. NO.: 170-209-050001-J8G SIZE: A4 DRW NO.: FINISH: SEE NOTES MAT'L.: SEE NOTES SCALE: N/A REV.: A0 UNIT: mm PAGE: 2/2	
PDWG.NO: 1052-1	DR. LYX	APPD. JM_Zheng	CHKD. Tang