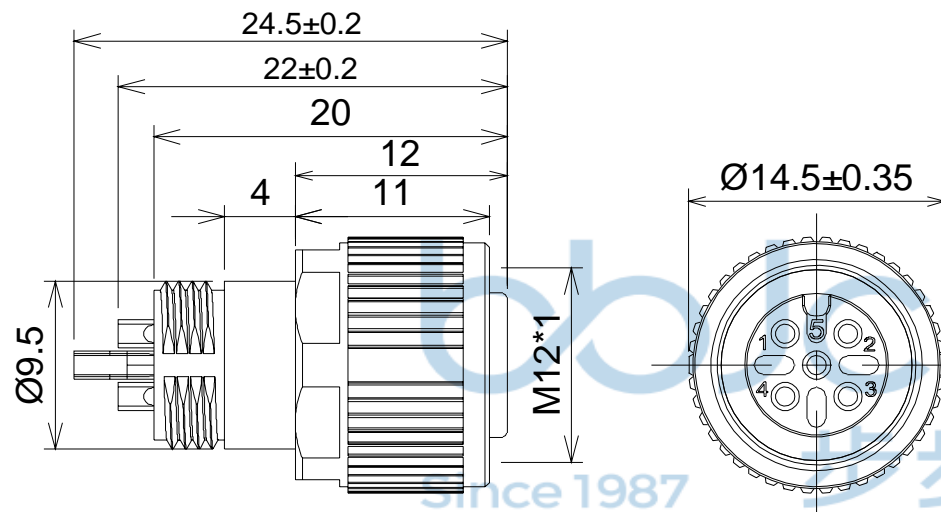


REV.	ECN NO	CONTENT	DATE	ENGINEER
A0		Initial release		LYX

技术参数:

- 1、防水等级: IP67
- 2、工作温度: $-25^{\circ}\text{C} \sim +85^{\circ}\text{C}$
- 3、插拔次数: >500 次
- 4、额定电压: AC/DC 60V
- 5、额定电流: 4A
- 6、接触电阻: $\leq 3\text{m}\Omega$
- 7、导体材料: 铜 Ni/Au
- 8、绝缘材料: PA66
- 9、防水圈: 硅胶
- 10、外壳材料: 锌合金镀镍

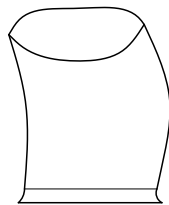


THIS DOCUMENT IS THE
SOLE PROPERTY OF
BBJconn Technology Co.,Ltd.
Corporation AND SHOULD
NOT BE USED IN WHOLE
PRIOR WRITTEN PERMISSION.
PDWG NO: 1052-1

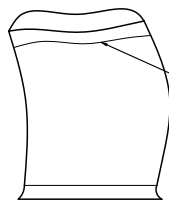
深圳市步步精科技有限公司 .X: ± 0.38 .X': $\pm 3'$.XX: ± 0.25 .X': $\pm 2'$.XXX: ± 0.13 .XX': $\pm 1'$		NAME: 航插 母座 M12A 5P 线端 锌合金六角螺母 不带屏蔽	
		PJ NO: 170-209-050002-J8G SIZE:A4 DRW NO:	
APPD	JM_Zheng	FINISH:SEE NOTES MAT'L:SEE NOTES	
CHKD	Tang	SCALE:N/A	REV:A0 UNIT:mm PAGE: 1/2
DR	LYX		

REV.	ECN NO	CONTENT	DATE	ENGINEER
A0		Initial release	/	LYX

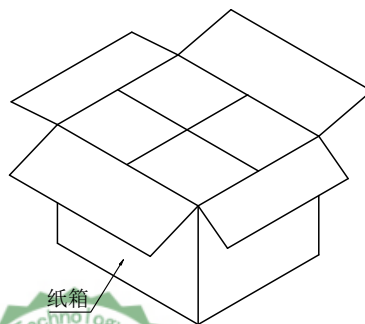
产品



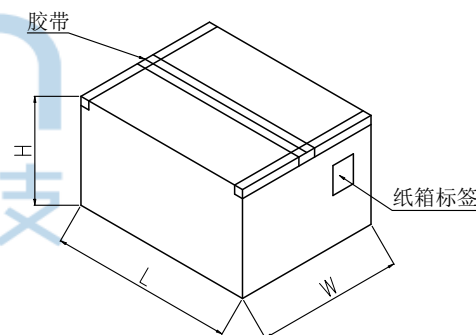
PE袋



袋口封合



纸箱



纸箱规格: L350*W210*H290



- 1、包装要求:
- 1.1 PE袋包装200pcs;
 - 1.2 纸箱外贴上标签

THIS DOCUMENT IS THE SOLE PROPERTY OF BBJconn Technology Co.,Ltd. Corporation AND SHOULD NOT BE USED IN WHOLE OR IN PART WITHOUT PRIOR WRITTEN PERMISSION.		深圳市步步精科技有限公司 .X: ±0.38 X': ±3" .XX: ±0.25 X'': ±2" .XXX: ±0.13 XX': ±1"		NAME: 航插 母座 M12A 5P 线端 锌合金六角螺母 不带屏蔽	
APPD.	JM_Zheng	PJ. NO.: 170-209-050002-J8G		SIZE: A4 DRW NO.:	
CHKD.	Tang	FINISH: SEE NOTES		MAT'L.: SEE NOTES	
PDWG.NO:	1052-1	DR.	LYX	SCALE: N/A	REV.: A0 UNIT: mm PAGE: 2/2