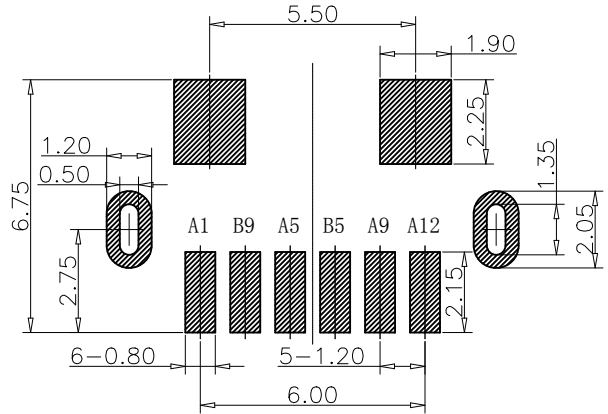
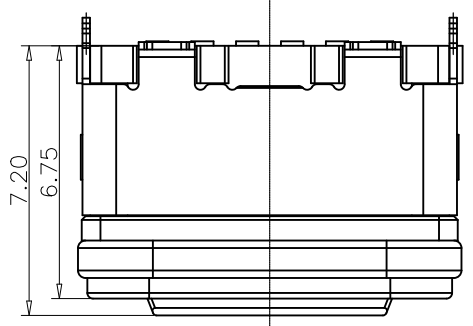
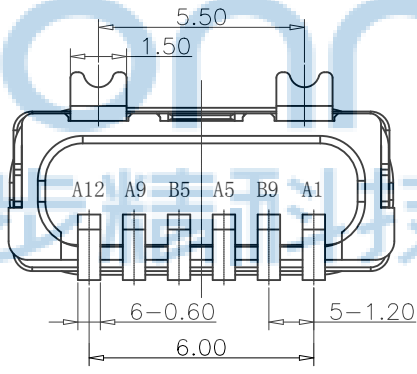
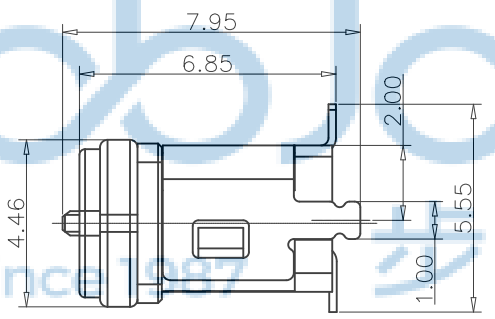
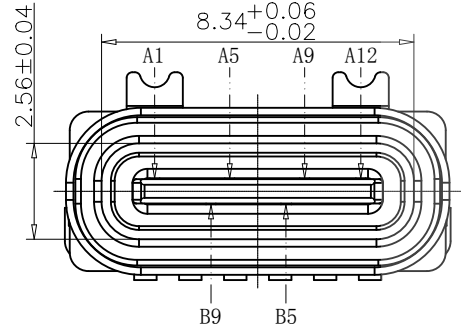


REV.	ECN NO	CONTENT	DATE	ENGINEER
A0		Initial release	/	TSP



- NOTES:
SPECIFICATION:
1.CURRENT RATING: 3.0 A
2.VOLTAGE RATING: 3.0 V
3.VBUS & GND PINS AND OTHER PINS: 40mΩ/PIN MAX
SHIELD: 50mΩ/MAX
LLCR MAX. CHANGE OF ALL PINS: 100m
4.INSULATION RESISTANCE: 100MΩ MIN
5.DIELECTRIC WITHSTAND VOLTAGE,AC 100V FOR 1MINUTE
6.INSERTION FORCE: 0.5~2.0kgf
7.UNMATING FORCE: 0.8~2.0kgf
8.DURABILITY: 10000 CYCLES
9.OPERATING TEMPERATURE: -35°C~+85°C
10.THE PEAK TEMPERATURE ON THE BOARD SHALL BE MAINTAINED FOR 10 SECONDS AT 210~230°C
11.WATERPROOF:IP-X7.

RECOMMEND P.C.B LAYOUT(COMPONENT SIDE)
TOLERANCE FOR PCB LAYOUT IS ±0.05



USB TYPE C PIN ASSIGNMENTS

PIN NUMBER	SIGNAL NAME	PIN NUMBER	SIGNAL NAME
A1	GND	B9	VBUS
A5	CC1	B5	CC2
A9	VBUS		
A12	GND		

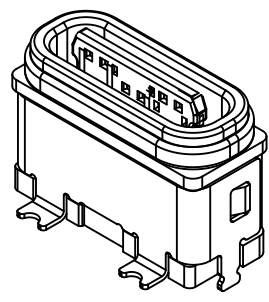
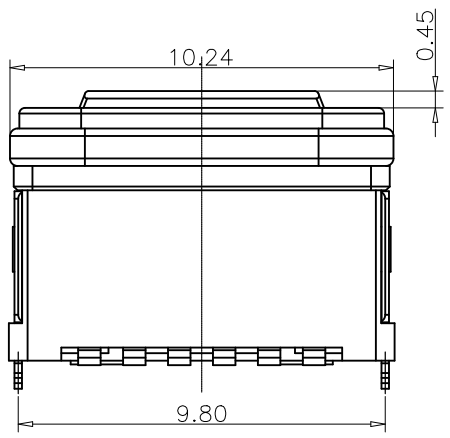
TABLE:

NO	PART	Q'TY	Material
1	SHELL	1	HIGH TEMPERATURE RESISTANT PLASTIC BLACK UL94 V-0
2	CONTACT	6	COPPER STEEL,TIN/Au/NI PLATED
3	MID PLATE	1	STAINLESS STEEL,NO PLATING
4	MD HOUSING	1	HIGH TEMPERATURE RESISTANT PLASTIC BLACK UL94 V-0
5	SHIELDING PLATE	1	STAINLESS STEEL,NI PLATED
6	WATERPROOF RING	1	SILICONE UL94 V-0 BLACK

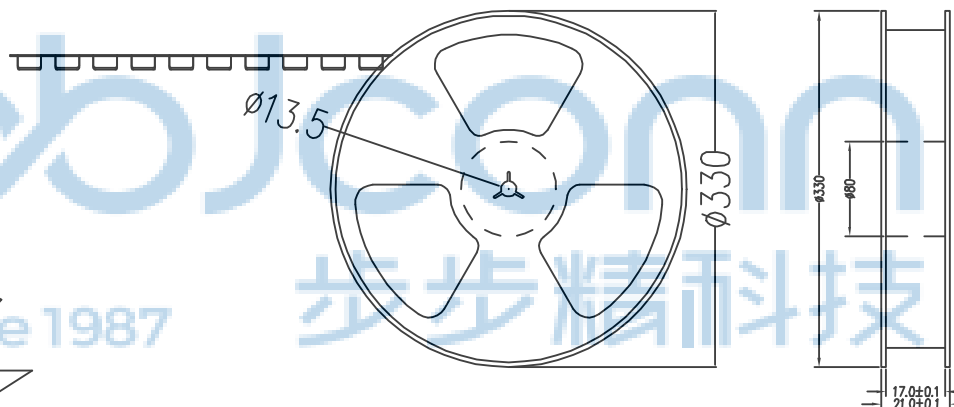
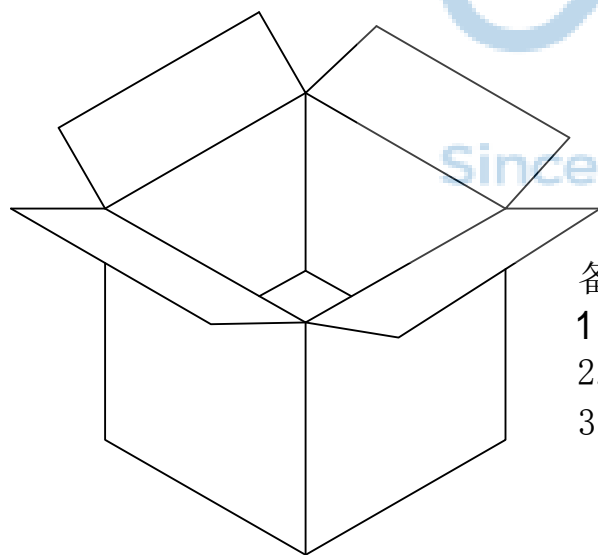
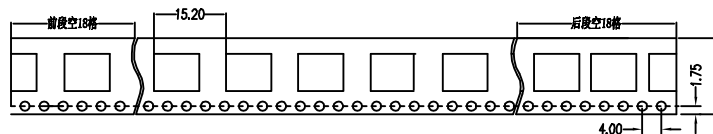
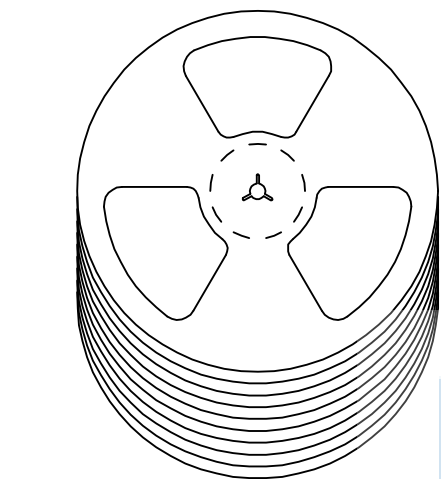
THIS DOCUMENT IS THE SOLE PROPERTY OF BBJconn Technology Co.,Ltd. Corporation AND SHOULD NOT BE USED IN WHOLE OR IN PART WITHOUT PRIOR WRITTEN PERMISSION.
PDWG,NO: 0395-1

深圳市步步精科技有限公司

.X: ±0.38 .XX: ±0.25 .XXX: ±0.13	X': ±3' .X': ±2' .XX': ±1'	NAME: TYPE-C 6P 防水母座 直立式 H=6.85 舌片外露 0.45 两脚插 两脚贴 端子SMT 带钢片 全塑U型 IPX7
APPD. JM_Zheng	PJ. NO.: 126-224-060001-J2G	SIZE: A4 DRW NO.:
CHKD. LYX	FINISH: SEE NOTES	MAT'L.: SEE NOTES
DR. TSP	SCALE: N/A	REV.: A0 UNIT: mm PAGE: 1/2



REV.	ECN NO	CONTENT	DATE	ENGINEER
A0		Initial release	/	TSP



备注:

1. 包装数量：500/PCS/卷，10卷/箱
2. 包装袋长度：每卷前后各空10-20个空格，中间包装。
3. 材质：
载体：聚丙烯（PS），
上带：聚乙烯（PET），
卷盘：聚苯乙烯。

纸箱规格：345*345*23MM

纸箱规格：345*345*35MM

THIS DOCUMENT IS THE SOLE PROPERTY OF BBJconn Technology Co.,Ltd. Corporation AND SHOULD NOT BE USED IN WHOLE OR IN PART WITHOUT PRIOR WRITTEN PERMISSION.		深圳市步步精科技有限公司 .X: ±0.38 .X': ±3' .XX: ±0.25 .X'': ±2' .XXX: ±0.13 .XX': ±1'		NAME: TYPE-C 6P 防水母座 直立式 H=6.85 舌片外露0.45 两脚插 两脚贴 端子SMT 带钢片 全塑U型 IPX7	
APPD.	JM_Zheng	PJ. NO.: 126-224-060001-J2G		SIZE: A4 DRW NO.:	
CHKD.	LYX	FINISH: SEE NOTES		MAT'L.: SEE NOTES	
PDWG.NO:	0395-1	DR.	TSP	SCALE: N/A	REV.: A0 UNIT: mm PAGE: 2/2