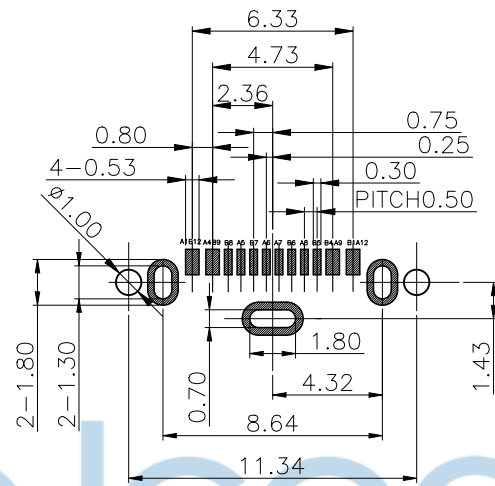
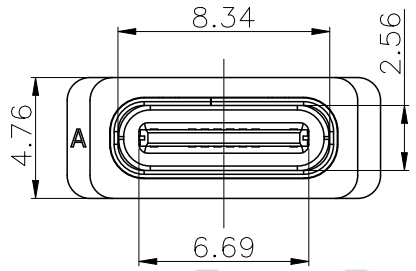


REV	ECN NO	CONTENT	DATE	ENGINEER
A0		INITIAL RELEASE	/	LYX

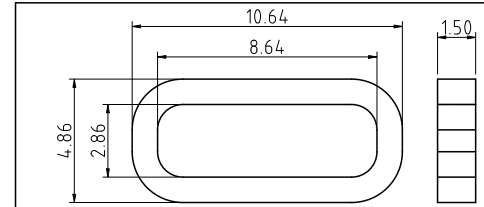
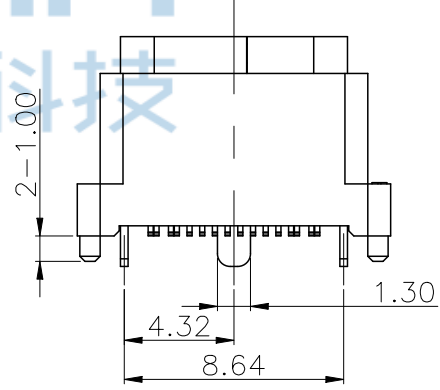
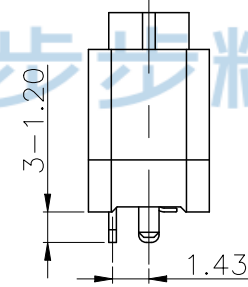
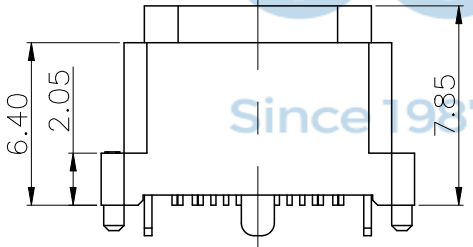
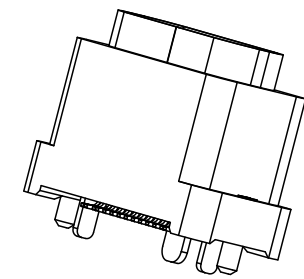
NOTES:

SPECIFICATION:

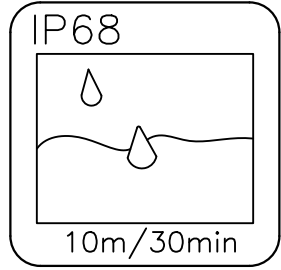
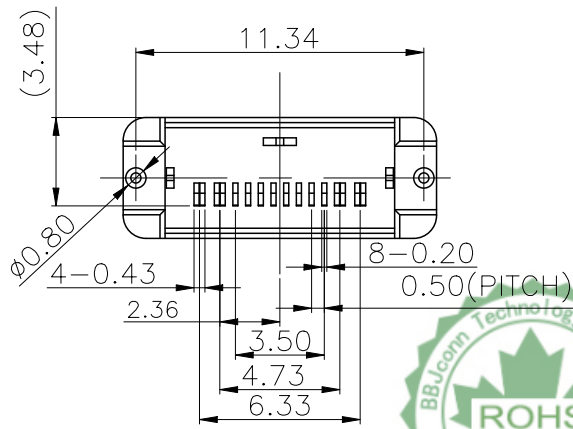
1. CURRENT RATING: 3.0A MAX
2. DIELECTRIC WITHSTAND VOLTAGE: 100VAC
3. TEMPERATURE RANGE: -30 °C ~ 85 °C
4. CONTACT RESISTANCE: 40 MILLIONHM MAX
5. INSULATION RESISTANCE: 100 MEGOHMS MIN.
6. INSERTION FORCE : 5N~20N
7. UNMATING FORCE: 8N~20N
8. DURABILITY:10,000 CYCLES



RECOMMENDED PCB LAYOUT(TOP VIEW)
(GENERAL TOLERANCE±0.05)



建议胶圈尺寸



6	防水圈	硅胶	BLACK	1PCS
5	SHELL	STAINLESS STEEL	NI Plated	1PCS
4	SHIELDING PLATE	STAINLESS STEEL	NI Plated	1PCS
3	CONTACT	COPPER ALLOY	Au/Ni Plated	1SET
2	SHELL HOUSING	HIGH TEMPERATURE PLASTIC	BLACK	1PCS
1	HOUSING	HIGH TEMPERATURE PLASTIC	BLACK	1PCS
NO.	DESCRIPTION	MATERIAL	REMARKS	QTY

A1	GND	B12	GND
A4	VBUS	B9	VBUS
A5	CC1	B8	SBU2
A6	DP1	B7	DN2
A7	DN1	B6	DP2
A8	SBU1	B5	CC2
A9	VBUS	B4	VBUS
A12	GND	B1	GND
PIN	SIGNAL NAME	PIN	SIGNAL NAME

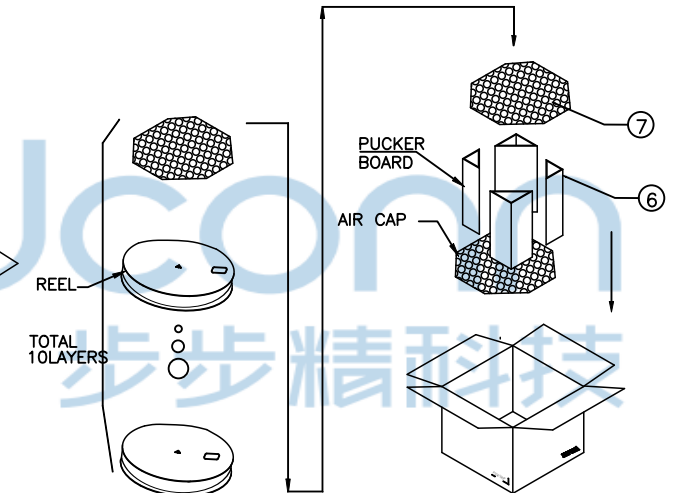
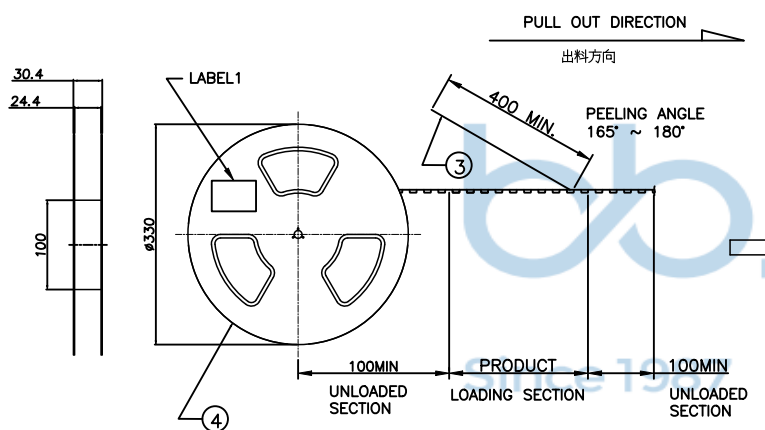
THIS DOCUMENT IS THE
SOLE PROPERTY OF
BBJconn Technology Co.,Ltd.
Corporation AND SHOULD
NOT BE USED IN WHOLE
PRIOR WRITTEN PERMISSION.

深圳市步步精科技有限公司

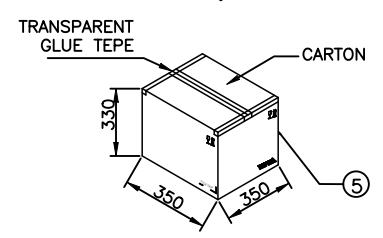
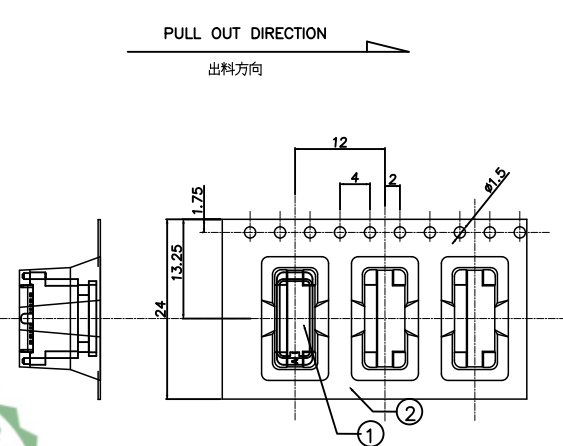
.X: ±0.38	X': ±3'	NAME: TYPE-C 16P 防水母座 直立式 贴片 三脚插 带柱 H=7.85 SMT IP68 冷封编带
.XX: ±0.25	.X': ±2'	PJ NO:
.XXX: ±0.13	.XX': ±1'	SIZE:A4 DRW NO:
APPD: JM_Zheng	CHKD: Tang	FINISH:SEE NOTES MAT'L:SEE NOTES
PDWG NO:0395-1	DR: LYX	SCALE:N/A REV:A0 UNIT:mm PAGE:1/2



REV	ECN NO	CONTENT	DATE	ENGINEER
AO		INITIAL RELEASE	/	LYX



1. 包装方式
- 1-1: 使用半自動包裝機, 先將 CARRY TAPE 送入導軌中, 并與 COVER TAPE 貼合在上面, 其中前端大于10空槽不要放產品, 尾端大于10空槽不要放產品, 然后將產品如圖所示方向依次放入 CARRY TAPE 每個槽放1PCS;
- 1.2. 用膠帶將 CARRY TAPE 壓合在一起, 包裝后在圖示指定位置貼上 LABEL;
- 1-3: 按圖示要求將10盤包裝好的 REEL 裝入紙箱, 紙箱上下按圖示要求加墊海綿墊, 四角折三角墊固定;
- 1-4: 將裝好產品的紙箱按圖示要求封箱, 在指定區域貼好 LABEL;
2. 包裝數量:
- 500PCS/REEL;
10REEL (5000PCS) /CARTON.
3. 耐剝離性:
- 上帶引拔力測試規格: 20-150gf
測試條件: 以每分鐘300mm速度引拔測試



7	气泡垫	L=345, W=345, T=10	2PCS
6	纸板 (折三角垫)	L=430, W=330, T=6	4PCS
5	外箱	L=350, W=350, H=330	1PCS
4	卷盘	PS, BLUE, A=330, B=100, W=32.4	10PCS
3	上带	PET, CLEAR, W=21.3	6.5m
2	载带	PS, W=24, T=0.4, P=16	6.5m
1	UAB CONN	UAB CONN	5000PCS
NO.	NAME	SPEC	Q'TY



THIS DOCUMENT IS THE SOLE PROPERTY OF BBJconn Technology Co.,Ltd. Corporation AND SHOULD NOT BE USED IN WHOLE PRIOR WRITTEN PERMISSION.

PDWG NO: 0395-1

深圳市步步精科技有限公司

NAME: TYPE-C 16P 防水母座 直立式 贴片 三脚插 带柱 H=7.85 SMT IP68 冷封编带

APPD: JM_Zheng
CHKD: Tang
DR: LYX

PJ NO:
SIZE:A4
FINISH:SEE NOTES
SCALE:N/A

DRW NO:
MAT'L:SEE NOTES
REV:A0
UNIT:mm

PAGE:2/2