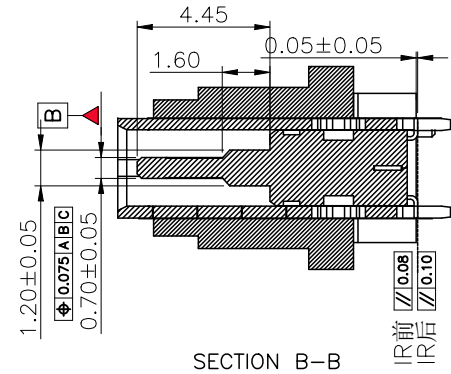
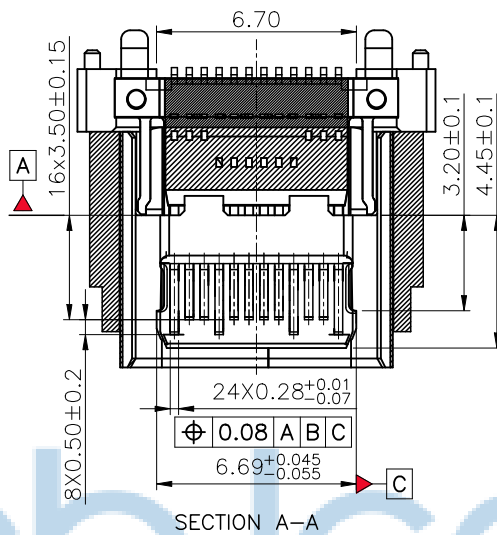
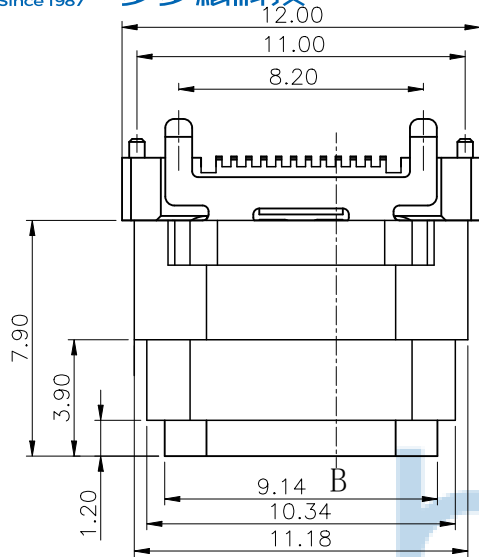
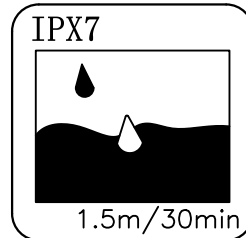
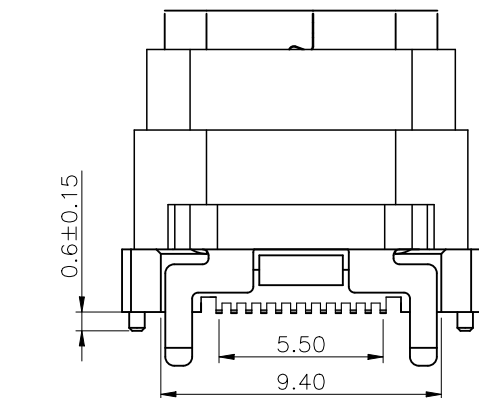
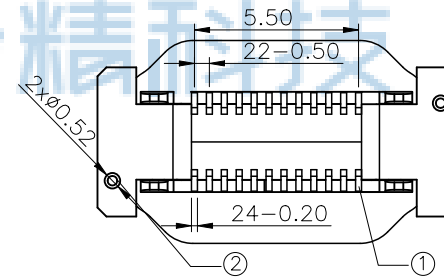
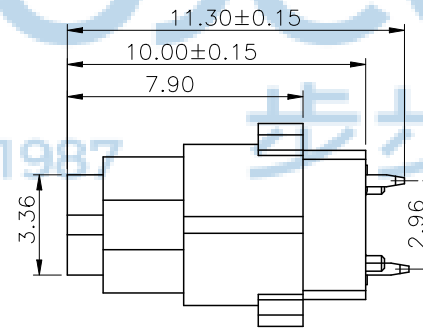
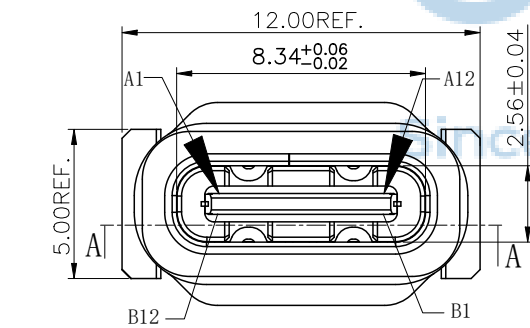


REV	ECN NO	CONTENT	DATE	ENGINEER
A0		INITIAL RELEASE	/	SGF



NOTE:
 1.MATERIAL:
 1.1 INSULATOR: HIGH TEMPERATURE PLASTIC UL 94 V-0; Black Color
 1.2 CONTACT: C7025(T=0.12mm)
 1.3 SHELL:STAINLESS STEEL(T=0.40mm)
 1.4 MID PLATE:STAINLESS STEEL(T=0.15mm)
 2.ELECTRICAL CHARACTERISTICS;
 2.1 CONTACT RESISTANCE: 40mΩ Max FOR INITIAL. 10mΩ CHANGE AFTER TEST. MEASURE AT 20mV, 100mA.
 2.2 CONTACT CURRENT RATING: 5A FOR COLLECTIVELY POWER SUPPLY PIN(PINA1,A4,A9,A12,B1,B4,B9,B12); 1.25A FOR VCONN PIN; 0.25A FOR OTHER SIGNAL PIN.
 2.3 DIELECTRIC WITHSTANDING VOLTAGE: 100V AC R.M.S.
 2.4 INSULATION RESISTANCE 100MΩ Min
 2.5 OPERATING TEMPERATURE: -40°C ~ 85°C
 3 MECHANICAL CHARACTERISTICS:
 3.1 MATING FORCE: 5~20 N.
 3.2 UNMATED FORCE: 8~20N INITIAL TEST; 6~20N DURABILITY AFTER TEST
 3.3 DURABILITY: 10,000 CYCLES
 4.PLATING
 4.1 TERMINAL CONTACT: Au 3u" PLATING ON CANTACT AREA; TIN 50u" Min TING ON SOLDER TAIL,NI 50u" Min UNDERPLATING OVERALL
 4.2 SHELL: 50u" Min. NICKEL ALL OVER,
 4.3 MID PLATE: CLEAN



NO.	DESCRIPTION	MATERIAL	REMARKS	QTY	盐雾	PACKAGING
5	CAP	LCP 6007AS UL94V-0	BLACK	1PCS		48H Reel
4	SHELL	SUS304 T=0.40mm	Ni 50u" Min Plated	1PCS		
3	LATCH	SUS301-H T=0.15mm	NO PLATED	1PCS		
2	CONTACT	C7025 T=0.12mm	Au 3u" PLATING ON CANTACT AREA; TIN 50u" Min TING ON SOLDER TAIL,NI 50u" Min UNDERPLATING OVERALL	1SET		
1	HOUSING	LCP UL94V-0	LCP BLACK UL94V-0	1PCS		

THIS DOCUMENT IS THE SOLE PROPERTY OF BBJconn Technology Co.,Ltd. Corporation AND SHOULD NOT BE USED IN WHOLE PRIOR WRITTEN PERMISSION.

PDWG NO: 0395-1

深圳市步步精科技有限公司

NAME:TYPE-C 24P 防水母座 直立式 四脚插 带柱
H=10.00 端子SMT LCP黑胶 镀金3U IPX7 加盖编带

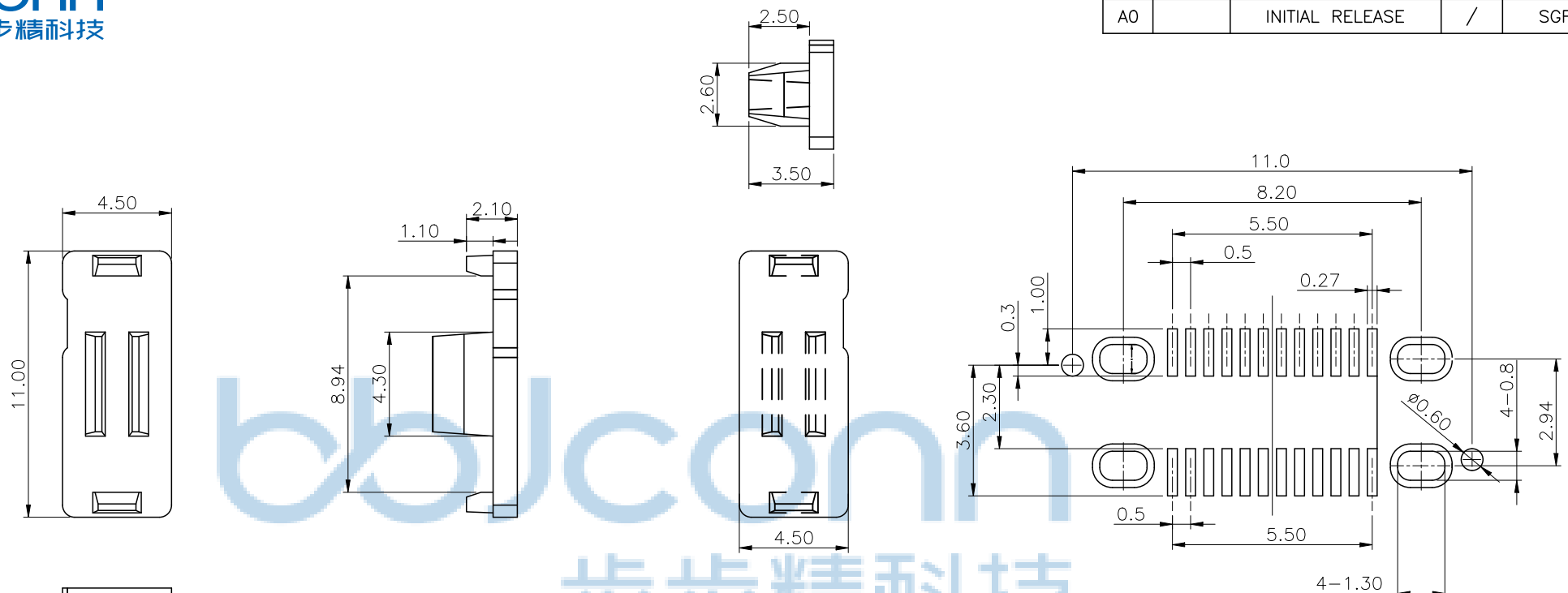
PJ NO: 126-224-240001-J2G

SIZE:A4 DRW NO:

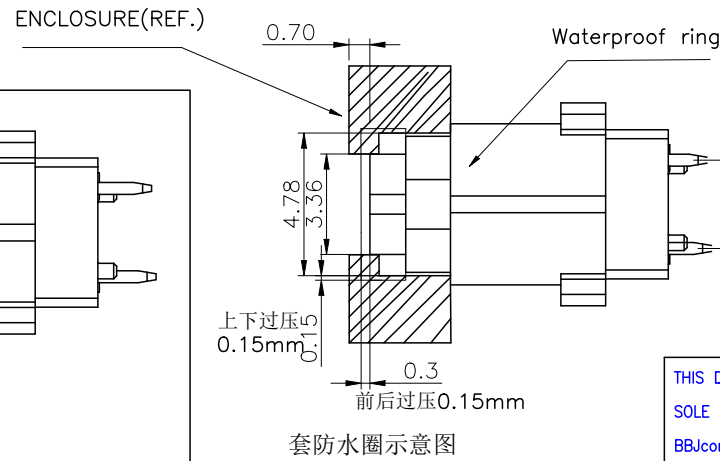
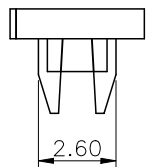
FINISH:SEE NOTES MAT'L:SEE NOTES

SCALE:N/A REV:A0 UNIT:mm PAGE:1/4

REV	ECN NO	CONTENT	DATE	ENGINEER
A0		INITIAL RELEASE	/	SGF



RECOMMENDED P.C.B. LAYOUT (T:1.00mm)
TOLERANCE UNSPECIFIED ±0.05mm



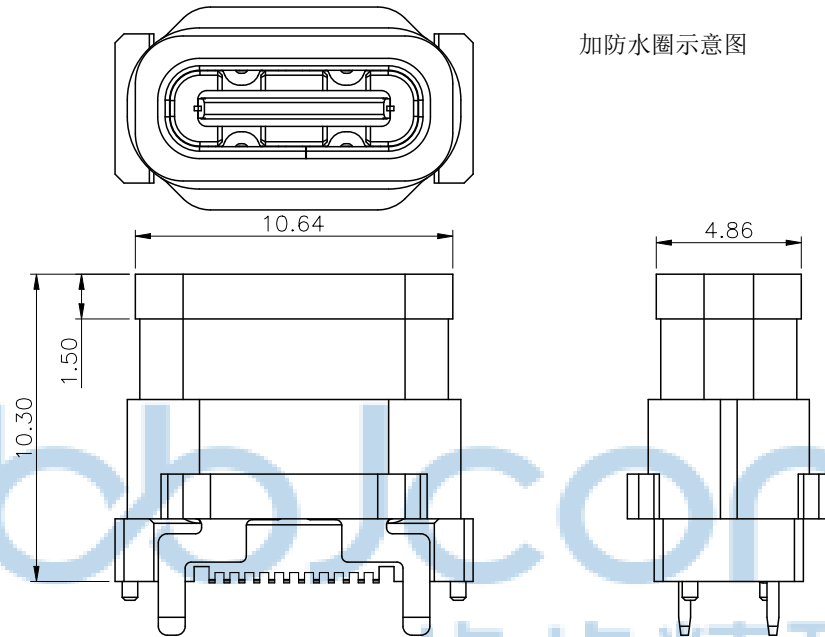
加CAP示意图

套防水圈示意图



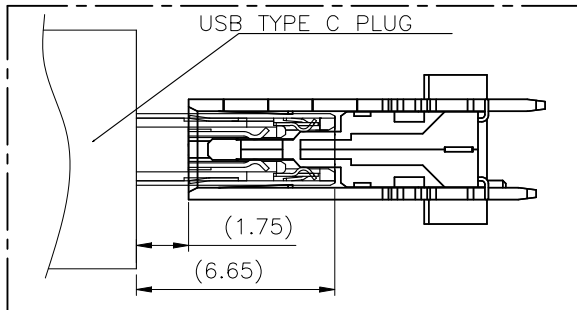
THIS DOCUMENT IS THE SOLE PROPERTY OF BBJconn Technology Co.,Ltd. Corporation AND SHOULD NOT BE USED IN WHOLE PRIOR WRITTEN PERMISSION.		深圳市步步精科技有限公司 .X: ±0.38 .X': ±3' .XX: ±0.25 .X': ±2' .XXX: ±0.13 .XX': ±1'		NAME:TYPE-C 24P 防水母座 直立式 四脚插 带柱 H=10.00 端子SMT LCP黑胶 镀金3U IPX7 加盖编带	
APPD	JM_Zheng	PJ NO: 126-224-240001-J2G		SIZE:A4 DRW NO:	
CHKD	LYX	FINISH:SEE NOTES		MAT'L:SEE NOTES	
PDWG NO: 0395-1	DR	SGF	SCALE:N/A	REV:A0	UNIT:mm PAGE:2/4

加防水圈示意图



USB TYPE-C FULL-FEATURED RECEPTACLE INTERFACE PIN ASSIGNMENTS

PIN	Signal Name	Description	PIN	Signal Name	Description
A1	GND	Ground return	B12	GND	Ground return
A4	VBUS	Bus Power	B9	VBUS	Bus Power
A5	CC1	Configuration Channel	B8	SBU2	Sideband Use (SBU)
A6	Dp1	Positive half of the USB 2.0 differential pair-Position 1	B7	Dn2	Negative half of the USB 2.0 differential pair-Position 2
A7	Dn1	Negative half of the USB 2.0 differential pair-Position 1	B6	Dp2	Positive half of the USB 2.0 differential pair-Position 2
A8	SBU1	Sideband Use (SBU)	B5	CC2	Configuration Channel
A9	VBUS	Bus Power	B4	VBUS	Bus Power
A12	GND	Ground return	B1	GND	Ground return



THIS DOCUMENT IS THE
SOLE PROPERTY OF
BBJconn Technology Co.,Ltd.
Corporation AND SHOULD
NOT BE USED IN WHOLE
PRIOR WRITTEN PERMISSION.

深圳市步步精科技有限公司

.X: ±0.38 X': ±3'
.XX: ±0.25 .X': ±2'
.XXX: ±0.13 .XX': ±1'

NAME:TYPE-C 24P 防水母座 直立式 四脚插 带柱
H=10.00 端子SMT LCP黑胶 镀金3U IPX7 加盖编带

APPD JM_Zheng

PJ NO: 126-224-240001-J2G

CHKD LYX

SIZE:A4 DRW NO:

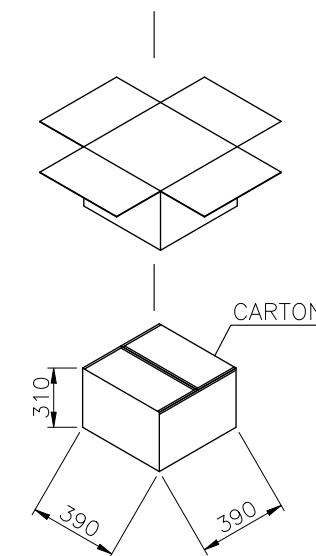
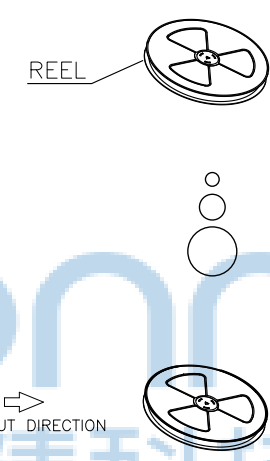
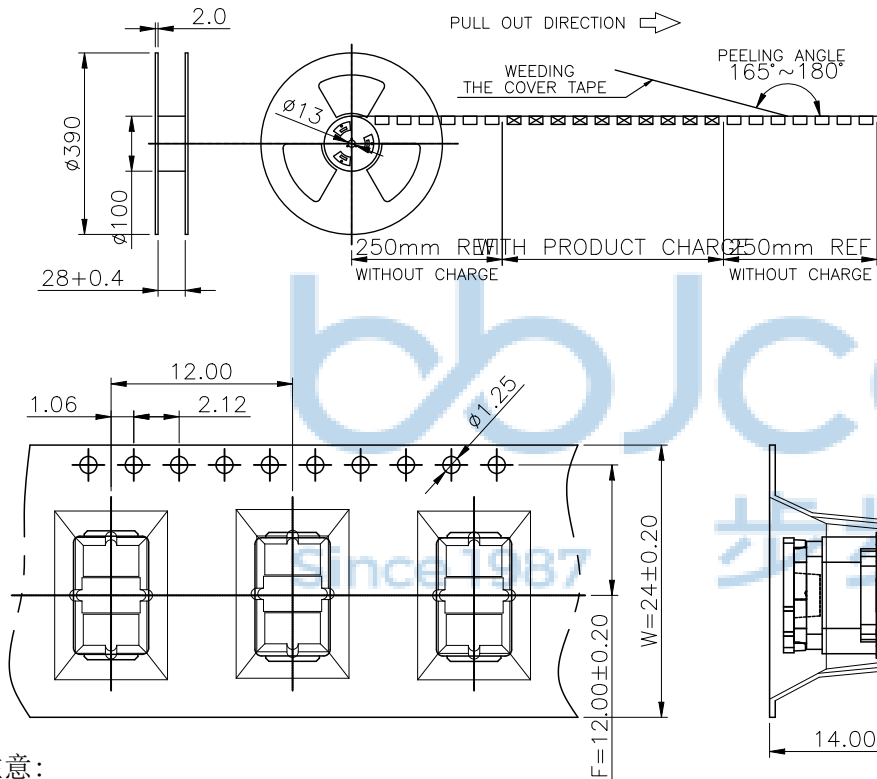
DR SGF

FINISH:SEE NOTES MAT'L:SEE NOTES

PDWG NO: 0395-1

SCALE:N/A REV:A0 UNIT:mm PAGE:3/4

REV	ECN NO	CONTENT	DATE	ENGINEER
AO		INITIAL RELEASE	/	SGF



NOTE:
1. QUANTITY: 300 PCS/REEL, 3300PCS/CARTON.

- 注意:
1. 材料:
纸箱: 纤维板, 瓦楞, 双层壁。
胶带: 聚苯乙烯, 耐热温度: 120°C, 白。
卷筒: 聚苯乙烯, 耐热温度: 70°C, 蓝色。
包装: 聚乙烯, 耐热温度: 100°C。
 2. 剥离强度: 0.1 ~ 1.3 N (10 ~ 130克)
 3. 脱皮速度: 300mm /min。
 4. 每盘都应真空包装包括干燥剂*2。
 5. 外箱上贴号物料标签及RHOS标签
 6. 同一产品只能装同一纸箱, 不允其它产品;

300	10	3000 PCS
PCS/卷	卷/箱	箱



THIS DOCUMENT IS THE SOLE PROPERTY OF BBJconn Technology Co., Ltd. Corporation AND SHOULD NOT BE USED IN WHOLE PRIOR WRITTEN PERMISSION.		深圳市步步精科技有限公司 .X: ±0.38 .XX: ±0.25 .XXX: ±0.13 X': ±3' X'': ±2' XX': ±1'	
APPD	JM_Zheng	NAME: TYPE-C 24P 防水母座 直立式 四脚插 带柱 H=10.00 端子SMT LCP黑胶 镀金3U IPX7 加盖编带	
CHKD	LYX	PJ NO: 126-224-240001-J2G SIZE: A4 DRW NO:	
DR	SGF	FINISH: SEE NOTES MAT'L: SEE NOTES SCALE: N/A REV: AO UNIT: mm PAGE: 4/4	
PDWG NO: 0395-1			