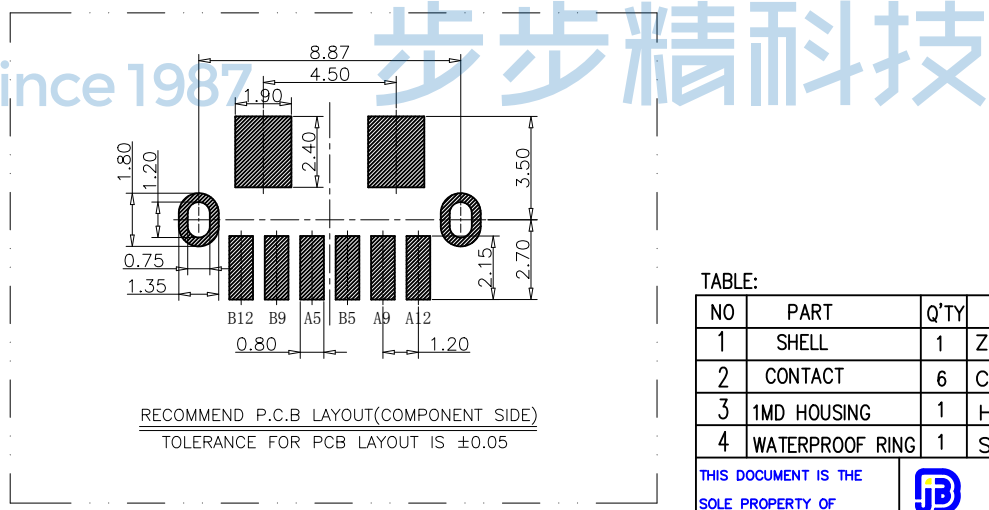
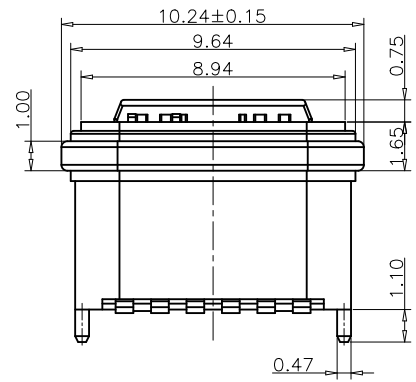
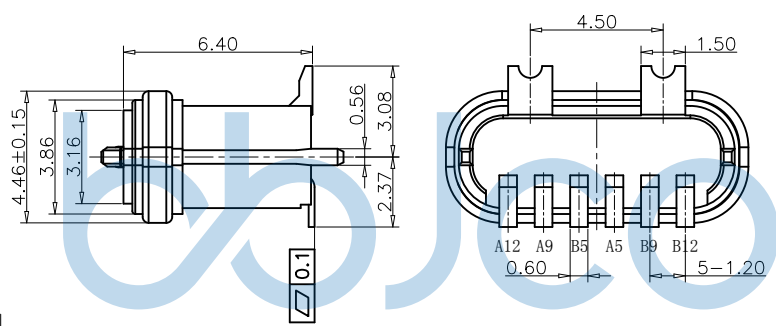
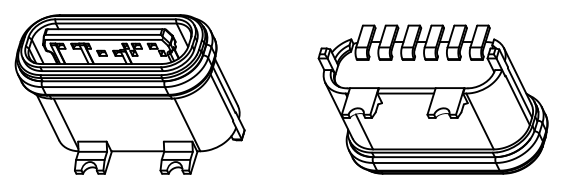
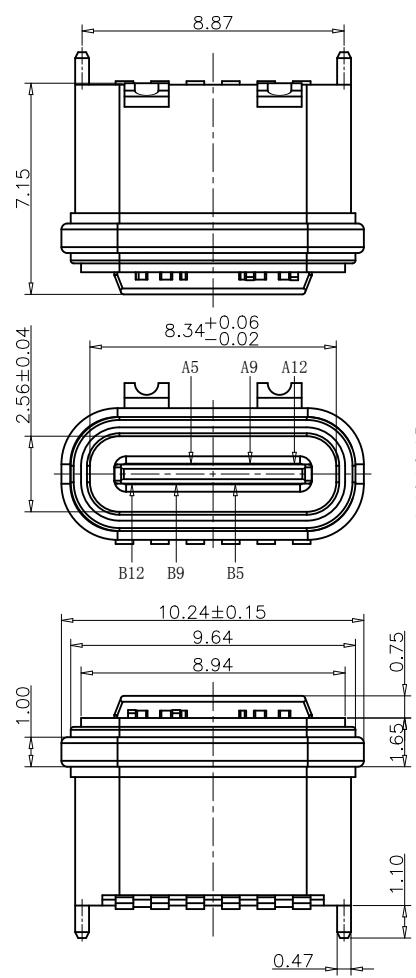


REV.	ECN NO	CONTENT	DATE	ENGINEER
A0		Initial release	/	TSP



RECOMMEND P.C.B LAYOUT(COMPONENT SIDE)
TOLERANCE FOR PCB LAYOUT IS ±0.05

- 备注(NOTE):
- 电气特性:
 - 接触区: 接触电阻40mΩ Max, 允许10mΩ变化量. 测试条件: 20mv, 100mA下测量.
 - 接触电流: 最大 VBUS和GND引脚; 其他引脚为0.25A.
 - 额定电压: 5V.
 - 耐电压: 100VAC.
 - 绝缘电阻: 至少100兆欧.
 - 机械性能:
 - 插入力: 0.5-2.0Kg
 - 拔出力: 0.6-2.04Kg
 - 插拔次数: 10000次.
 - 可焊性: 温度210-230℃, 时间10秒.
 - 工作环境: -20℃ to +85℃.

USB TYPE C PIN ASSIGNMENTS

PIN NUMBER	SIGNAL NAME	PIN NUMBER	SIGNAL NAME
		B12	GND
		B9	VBUS
A5	CC1	B5	CC2
A9	VBUS		
A12	GND		

TABLE:

NO	PART	Q'TY	Material
1	SHELL	1	ZINC ALLOY,NI PLATED
2	CONTACT	6	COPPER STEEL,TIN/Au/NI PLATED
3	1MD HOUSING	1	HIGH TEMPERATURE RESISTANT PLASTIC BLACK UL94 V-0
4	WATERPROOF RING	1	SILICONE UL94 V-0 BLACK

THIS DOCUMENT IS THE SOLE PROPERTY OF BBJconn Technology Co.,Ltd. Corporation AND SHOULD NOT BE USED IN WHOLE OR IN PART WITHOUT PRIOR WRITTEN PERMISSION. PDWG:NO: 0395-1

深圳市步步精科技有限公司

NAME: TYPE-C 6P 防水母座 直立式 H=7.15 两脚插两脚插 舌片外露0.75 端子SMT U型锌合金外壳 IPX7

APPD. JM_Zheng

CHKD. LYX

DR. TSP

PJ. NO.: 126-224-060005-J2G

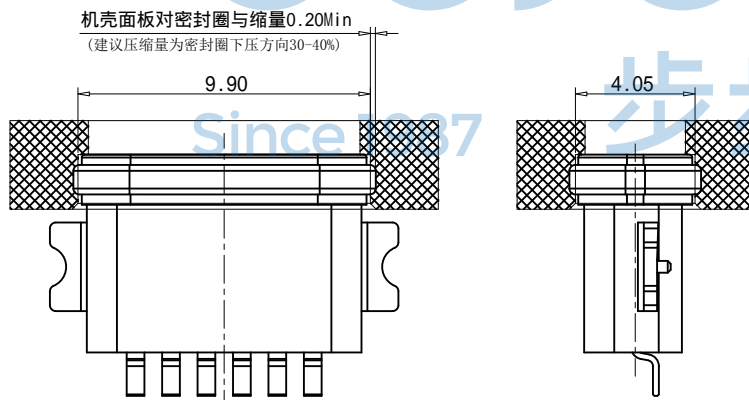
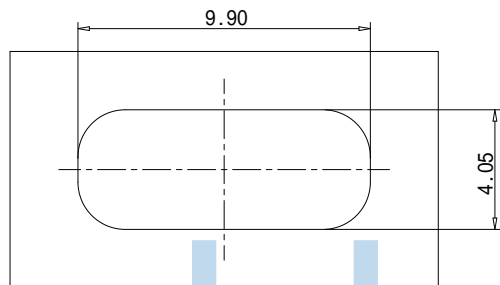
SIZE: A4 | DRW NO.:

FINISH: SEE NOTES | MAT'L.: SEE NOTES

SCALE: N/A | REV.: A0 | UNIT: mm | PAGE: 1/3

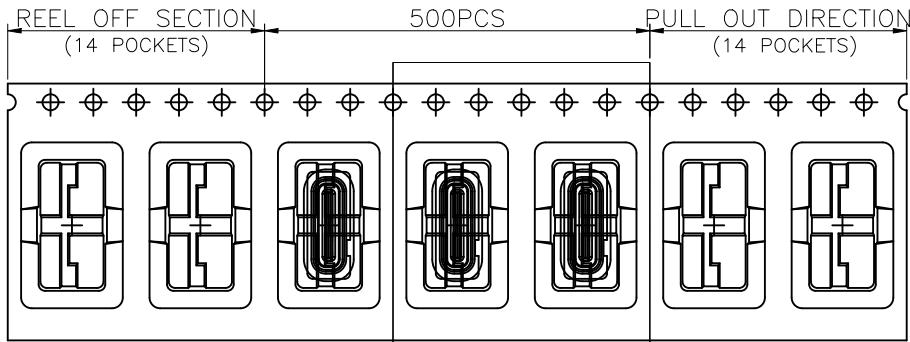
REV.	ECN NO	CONTENT	DATE	ENGINEER
A0		Initial release	/	TSP

密封开孔参考尺寸(只供参考)
组装外壳时需要打环保润滑油

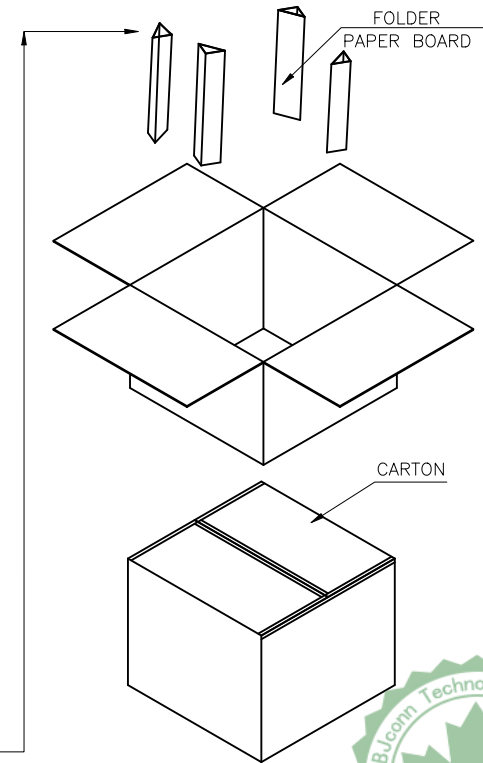
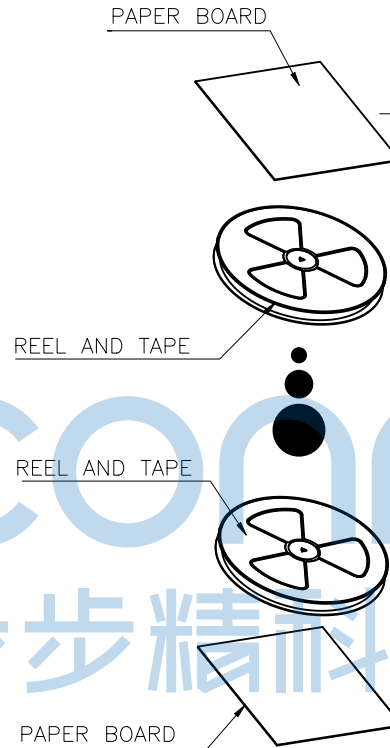
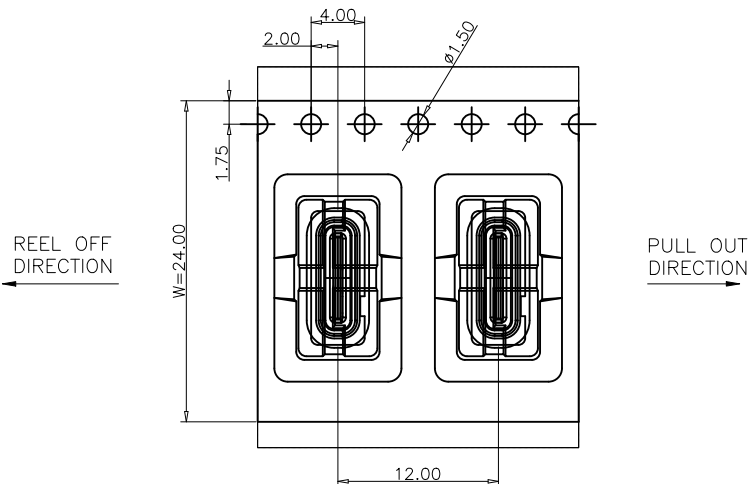
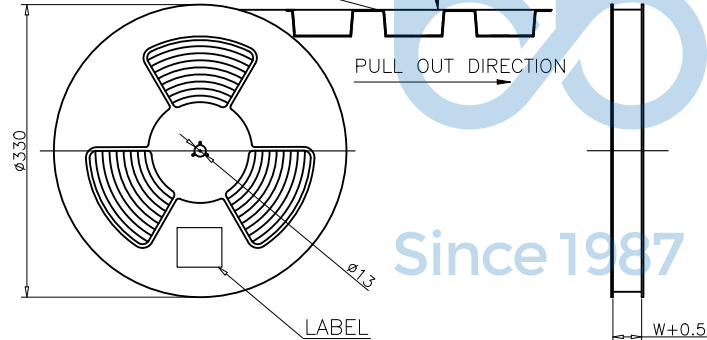
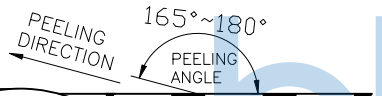


THIS DOCUMENT IS THE SOLE PROPERTY OF BBJconn Technology Co.,Ltd. Corporation AND SHOULD NOT BE USED IN WHOLE OR IN PART WITHOUT PRIOR WRITTEN PERMISSION.		深圳市步步精科技有限公司 .X: ±0.38 .X': ±3" .XX: ±0.25 .X'': ±2" .XXX: ±0.13 .XX': ±1"		NAME: TYPE-C 6P 防水母座 直立式 H=7.15 两脚插两脚贴 舌片外露0.75 端子SMT U型锌合金外壳 IPX7 PJ. NO.: 126-224-060005-J2G SIZE: A4 DRW NO.: FINISH: SEE NOTES MAT'L.: SEE NOTES SCALE: N/A REV.: A0 UNIT: mm PAGE: 2/3	
APPD.	JM_Zheng				
CHKD.	LYX				
PDWG.NO:	0395-1	DR.	TSP		

REV.	ECN NO	CONTENT	DATE	ENGINEER
A0		Initial release	/	TSP



SEE DETAIL X



	REEL	CARTON
CONNECTOR (PCS)	500	5000

THIS DOCUMENT IS THE SOLE PROPERTY OF BBJconn Technology Co., Ltd. Corporation AND SHOULD NOT BE USED IN WHOLE OR IN PART WITHOUT PRIOR WRITTEN PERMISSION.		深圳市步步精科技有限公司 工程管理部	
.X: ±0.38 .X': ±3" .XX: ±0.25 .X'': ±2" .XXX: ±0.13 .X''': ±1"		NAME: TYPE-C 6P 防水母座 直立式 H=7.15 两脚插两脚贴 舌片外露0.75 端子SMT U型锌合金外壳 IPX7	
APPD.	JM_Zheng	PJ. NO.: 126-224-060005-J2G SIZE: A4 DRW NO.:	FINISH: SEE NOTES
CHKD.	LYX		MAT'L.: SEE NOTES
PDWG.NO:	0395-1	DR.	TSP
		SCALE: N/A	REV.: A0
		UNIT: mm	PAGE: 3/3