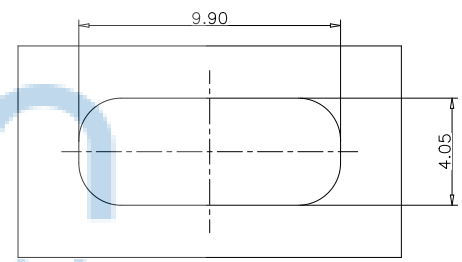
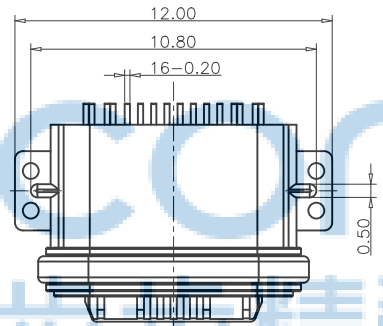
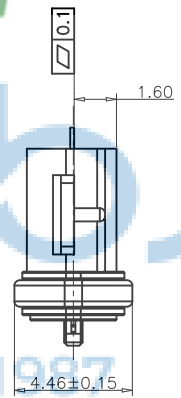
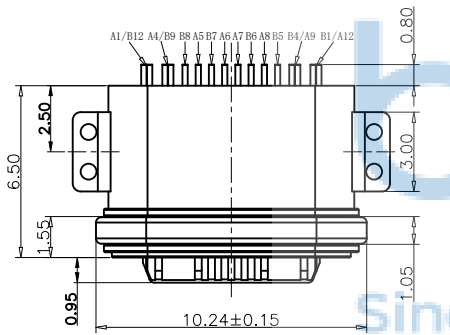
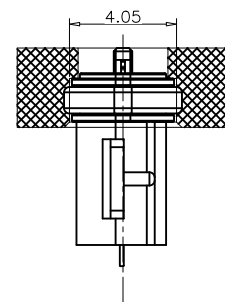
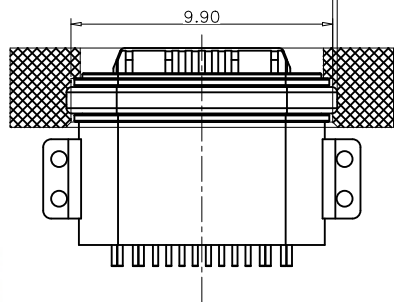
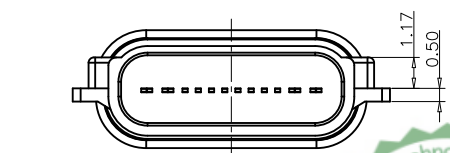


REV.	ECN NO.	CONTENT	DATE	ENGINEER
A0		Initial release	/	SGF

NOTES:
SPECIFICATION:
1. CURRENT RATING: 5A
2. VOLTAGE RATING: 20V
3. VBUS & GND PINS AND OTHER PINS: 40mΩ/PIN MAX
SHIELD: 50mΩ/MAX
LLCR MAX. CHANGE OF ALL PINS: 10Ωm
4. INSULATION RESISTANCE: 100MΩ MIN
5. DIELECTRIC WITHSTAND VOLTAGE, AC 100V FOR 1MINUTE
6. INSERTION FORCE: 0.5~2.0kgf
7. UNMATING FORCE: 0.8~2.0kgf
8. DURABILITY: 10000 CYCLES
9. OPERATING TEMPERATURE: -35°C~+85°C
10. THE PEAK TEMPERATURE ON THE BOARD SHALL BE MAINTAINED FOR 10 SECONDS AT 2 10-230°C
11. WATERPROOF: IP-X7.



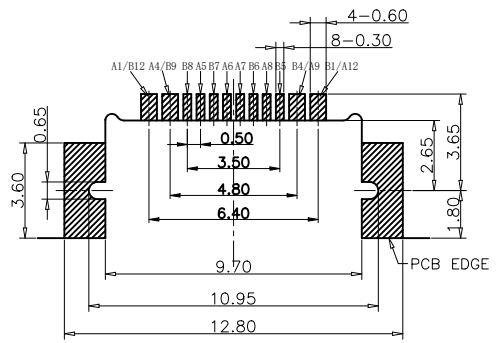
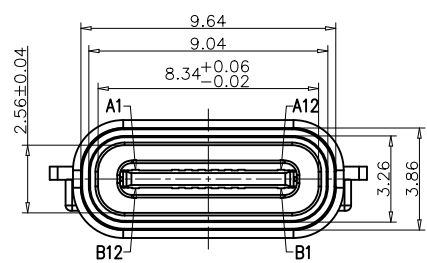
机壳面板对密封圈与缩量0.20Min
(建议压缩量为密封圈下压方向30~40%)



密封开孔参考尺寸(只供参考)
组装外壳时需要打环保润滑油

USB TYPE C PIN ASSIGNMENTS

PIN NUMBER	SIGNAL NAME	PIN NUMBER	SIGNAL NAME
A1	GND	B12	GND
A4	VBUS	B9	VBUS
A5	CC1	B8	SBU2
A6	DP1	B7	DN2
A7	DN1	B6	DP2
A8	SBU1	B5	CC2
A9	VBUS	B4	VBUS
A12	GND	B1	GND



RECOMMEND P.C.B LAYOUT
TOLERANCE UNSPECIFIED ±0.05mm

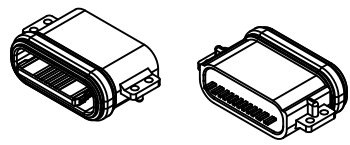


TABLE:

NO	PART	Q'TY	Material
1	SHELL	1	ZINC ALLOY, NI30u"Min PLATED
2	CONTACT	16	C7025, TIN80u"/Au3u"/Ni30u"PLATED
3	MID PLATE	1	SUS301, NO PLATING
4	HOUSING	1	LCP(E130i) UL94 V-0 BLACK
5	WATERPROOF RING	1	SILICONE(SI/60-65A) UL94 V-0 RED

THIS DOCUMENT IS THE SOLE PROPERTY OF BBJconn Technology Co., Ltd. Corporation AND SHOULD NOT BE USED IN WHOLE OR IN PART WITHOUT PRIOR WRITTEN PERMISSION.

PDWG.NO: 0395-1

深圳市步步精科技有限公司

NAME: TYPE-C 16P 防水母座 沉板1.6 带锁板贴片 舌片外露0.95 带中夹片 端子SMT L=6.5 锌合金外壳 LCP黑胶 IPX7 编带

APPD. JM_Zheng

CHKD. LYX

DR. SGF

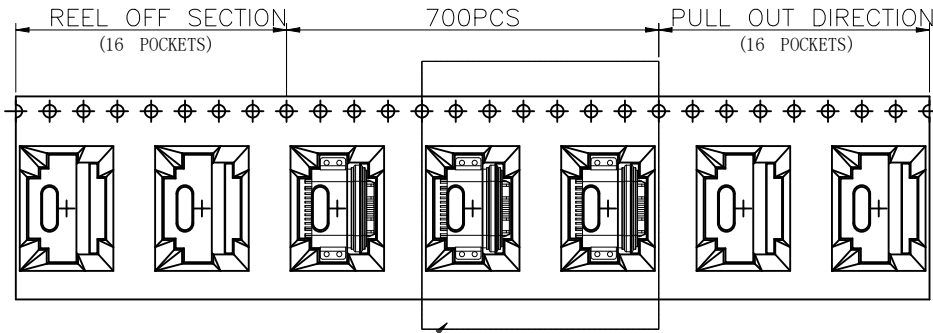
PJ. NO.: 126-221-160002-J2G

SIZE: A4 DRW NO.:

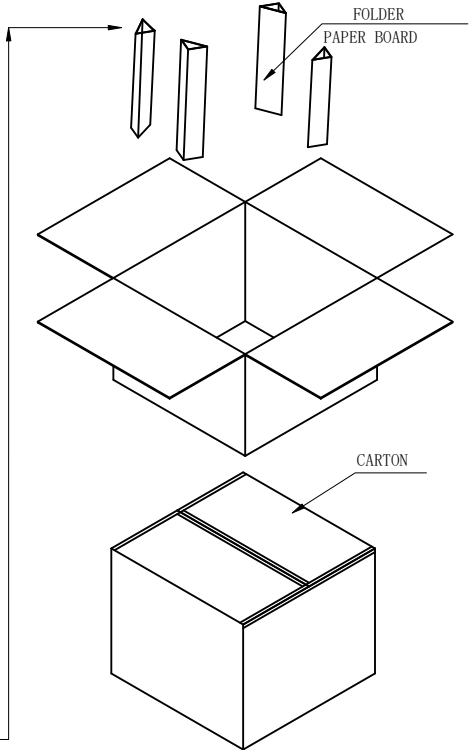
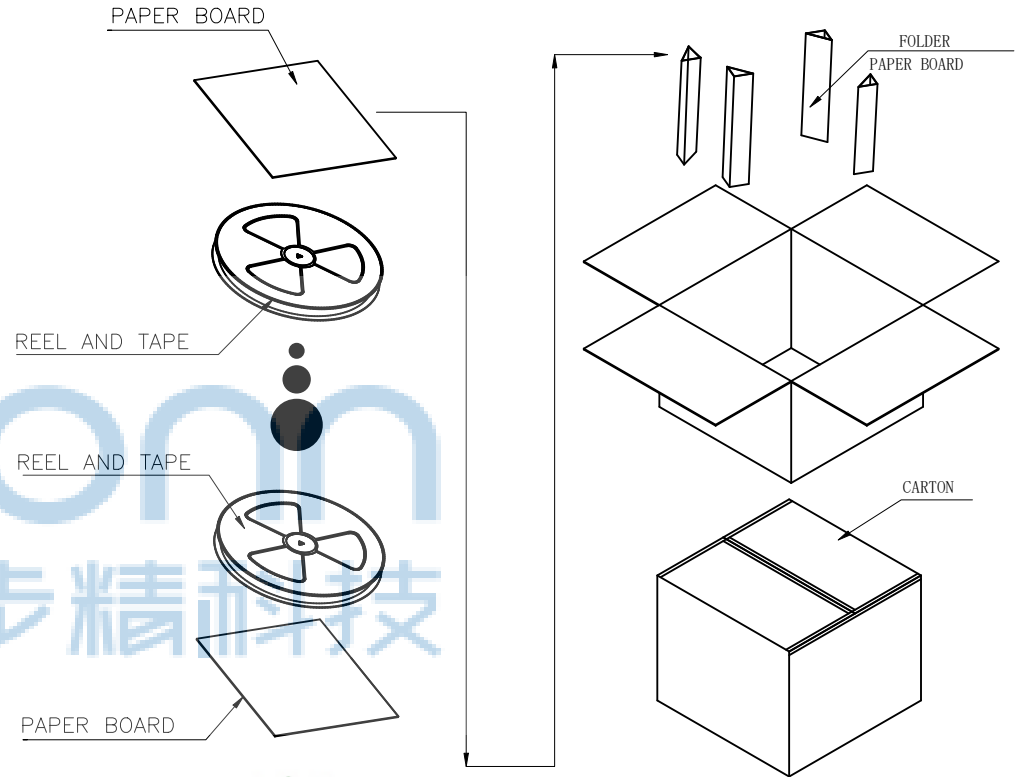
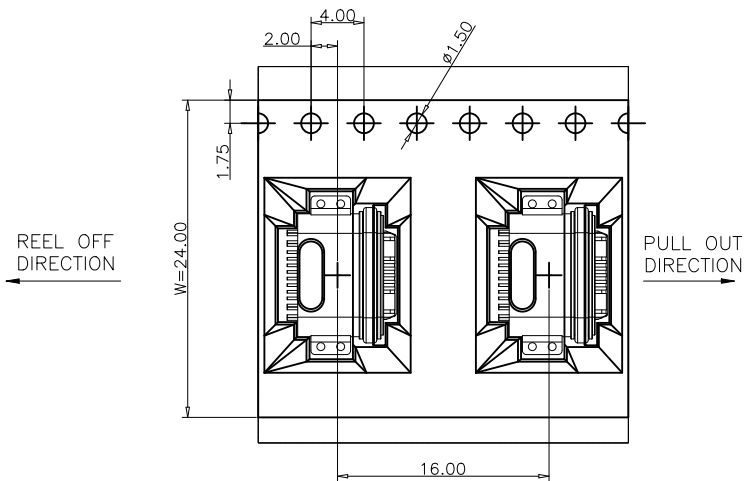
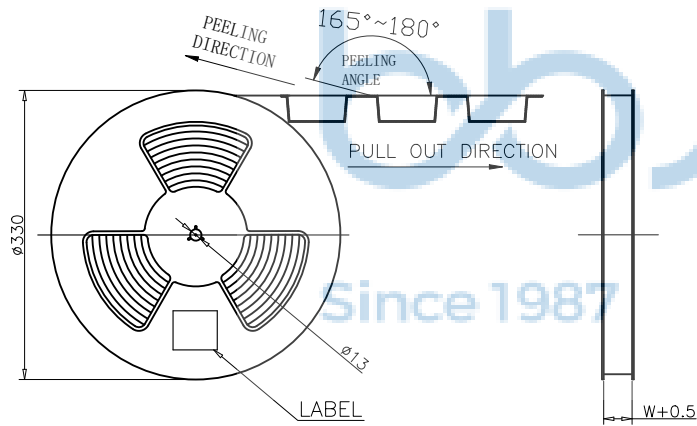
FINISH: SEE NOTES MAT'L: SEE NOTES

SCALE: N/A REV.: A0 UNIT: mm PAGE: 1/2

REV.	ECN NO	CONTENT	DATE	ENGINEER
A0		Initial release	/	SGF



SEE DETAIL X



	REEL	CARTON
CONNECTOR (PCS)	700	7000

THIS DOCUMENT IS THE SOLE PROPERTY OF BBJconn Technology Co., Ltd. Corporation AND SHOULD NOT BE USED IN WHOLE OR IN PART WITHOUT PRIOR WRITTEN PERMISSION.
PDWG.NO: 0395-1

深圳市步步精科技有限公司		NAME: TYPE-C 16P 防水母座 沉板1.6 带锁板贴片 舌片外露0.95 带中夹片 端子SMT L=6.5 锌合金外壳 LCP黑胶 IPX7 编带
APPD. JM_Zheng	CHKD. LYX	PJ. NO.: 126-221-160002-J2G
DR. SGF		SIZE: A4 DRW NO.:
		FINISH: SEE NOTES MAT'L: SEE NOTES
		SCALE: N/A REV.: A0 UNIT: mm PAGE: 2/2