

REV.	ECN NO	CONTENT	DATE	ENGINEER
A0		Initial release	/	TSP

NOTES:
SPECIFICATION:
1. CURRENT RATING: 5A
2. VOLTAGE RATING: 20 V
3. VBUS & GND PINS AND OTHER PINS: 40mΩ/PIN MAX
SHIELD: 50mΩ/MAX
LLCR MAX. CHANGE OF ALL PINS: 10 Ωm
4. INSULATION RESISTANCE: 100MΩ MIN
5. DIELECTRIC WITHSTAND VOLTAGE, AC 100V FOR 1MINUTE
6. INSERTION FORCE: 0.5~2.0kgf
7. UNMATING FORCE: 0.8~2.0kgf
8. DURABILITY: 10000 CYCLES
9. OPERATING TEMPERATURE: -35° C~+85° C
10. THE PEAK TEMPERATURE ON THE BOARD SHALL BE MAINTAINED FOR 10 SECONDS AT 210-230° C
11. WATERPROOF: IP-X7.

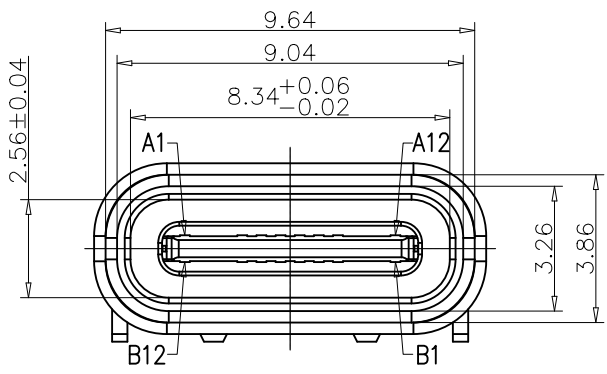
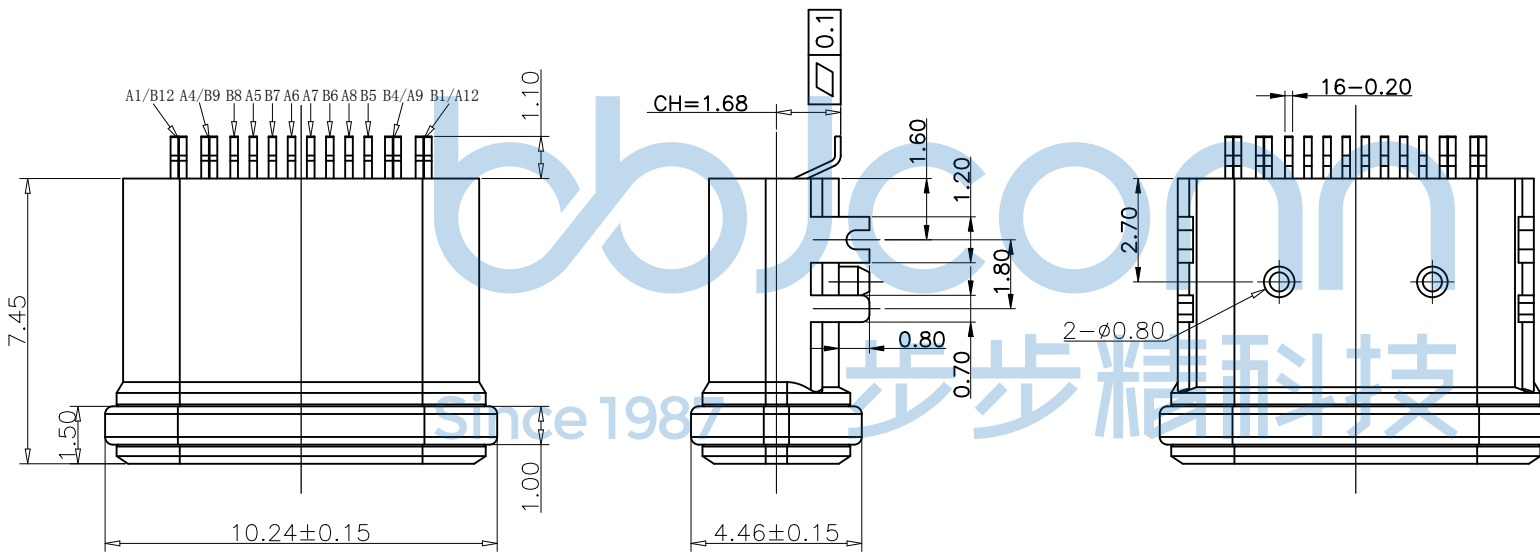
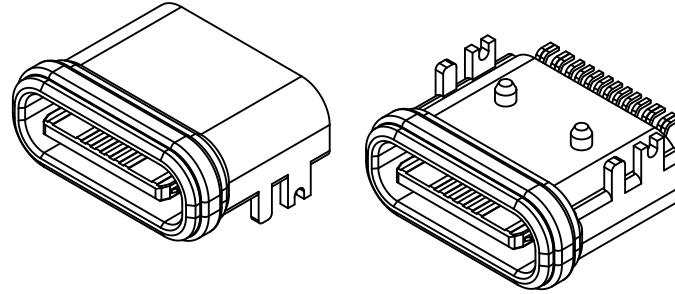
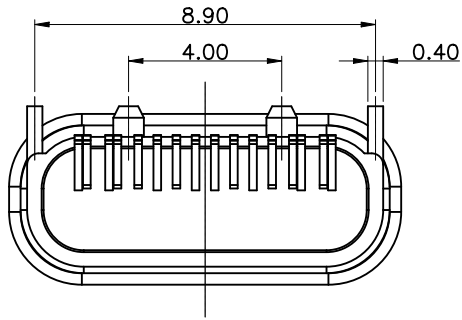


TABLE:

NO	PART	Q'TY	Material
1	SHELL	1	ZINC ALLOG, NI30u"Min PLATED
2	CONTACT	16	C7025, TIN80u"/Au3u"/NI30u"PLATED
3	MID PLATE	1	SUS301, NO PLATING
4	HOUSING	1	LCP(E130i) UL94 V-0 BLACK
5	WATERPROOF RING	1	SILICONE(SI/60-65A) UL94 V-0 RED

THIS DOCUMENT IS THE SOLE PROPERTY OF BBJconn Technology Co., Ltd. Corporation AND SHOULD NOT BE USED IN WHOLE OR IN PART WITHOUT PRIOR WRITTEN PERMISSION.

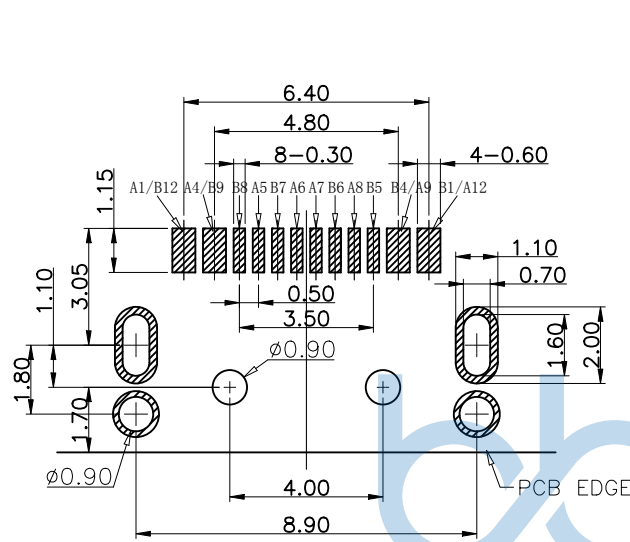
PDWG.NO: 0395-1

BBJconn 深圳市步步精科技有限公司

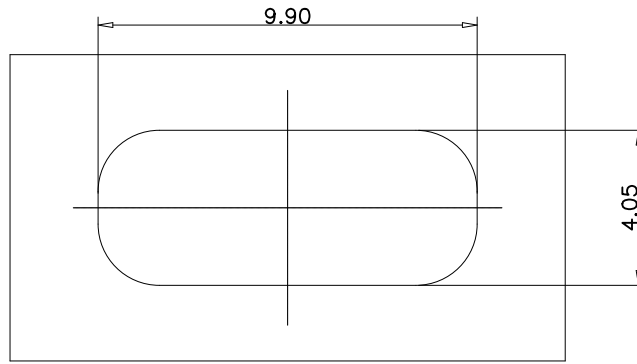
NAME: TYPE-C 16P 防水母座 板上四脚插 带柱 端子SMT
L=7.45 CH=1.68 U型粉末合金外壳 IPX7 (ATCF-16-025)

APPD. JM_Zheng
CHKD. LYX
DR. TSP

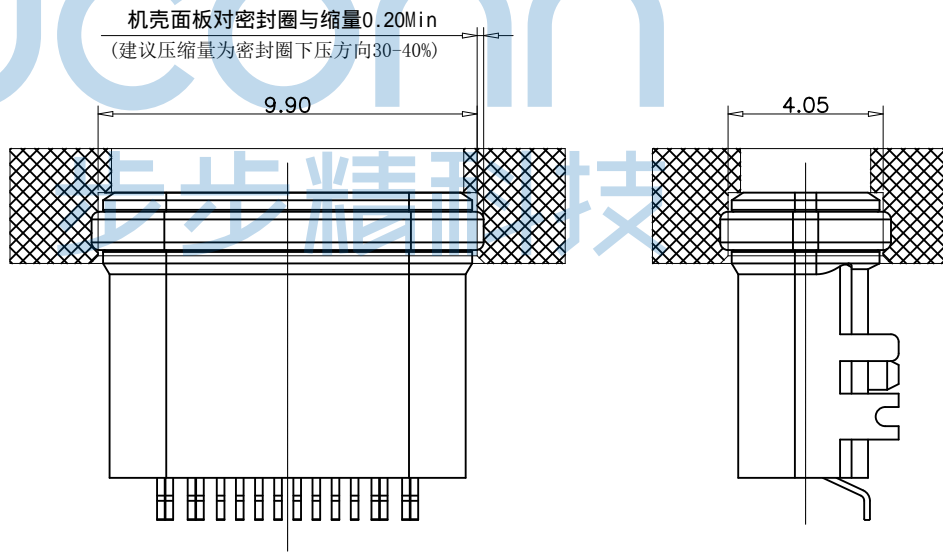
PJ. NO.: 126-221-160007-J2G
SIZE: A4 | DRW NO.:
FINISH: SEE NOTES | MAT'L.: SEE NOTES
SCALE: N/A | REV.: A0 | UNIT: mm | PAGE: 1/3



RECOMMEND P.C.B LAYOUT
TOLERANCE UNSPECIFIED ±0.05mm



密封开孔参考尺寸(只供参考)
组装外壳时需要打环保润滑油



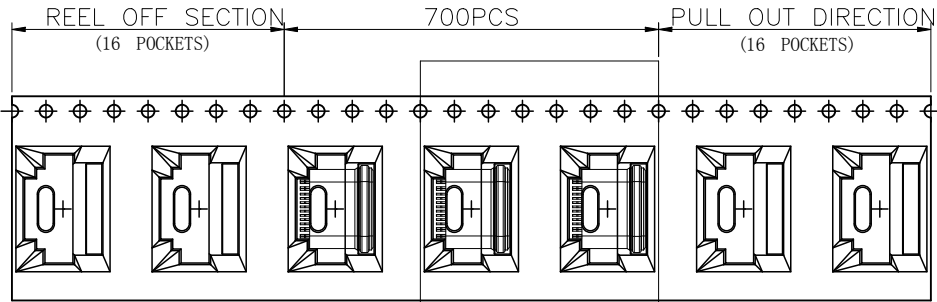
USB TYPE C PIN ASSIGNMENTS

PIN NUMBER	SIGNAL NAME	PIN NUMBER	SIGNAL NAME
A1	GND	B12	GND
A4	VBUS	B9	VBUS
A5	CC1	B8	SBU2
A6	DP1	B7	DN2
A7	DN1	B6	DP2
A8	SBU1	B5	CC2
A9	VBUS	B4	VBUS
A12	GND	B1	GND

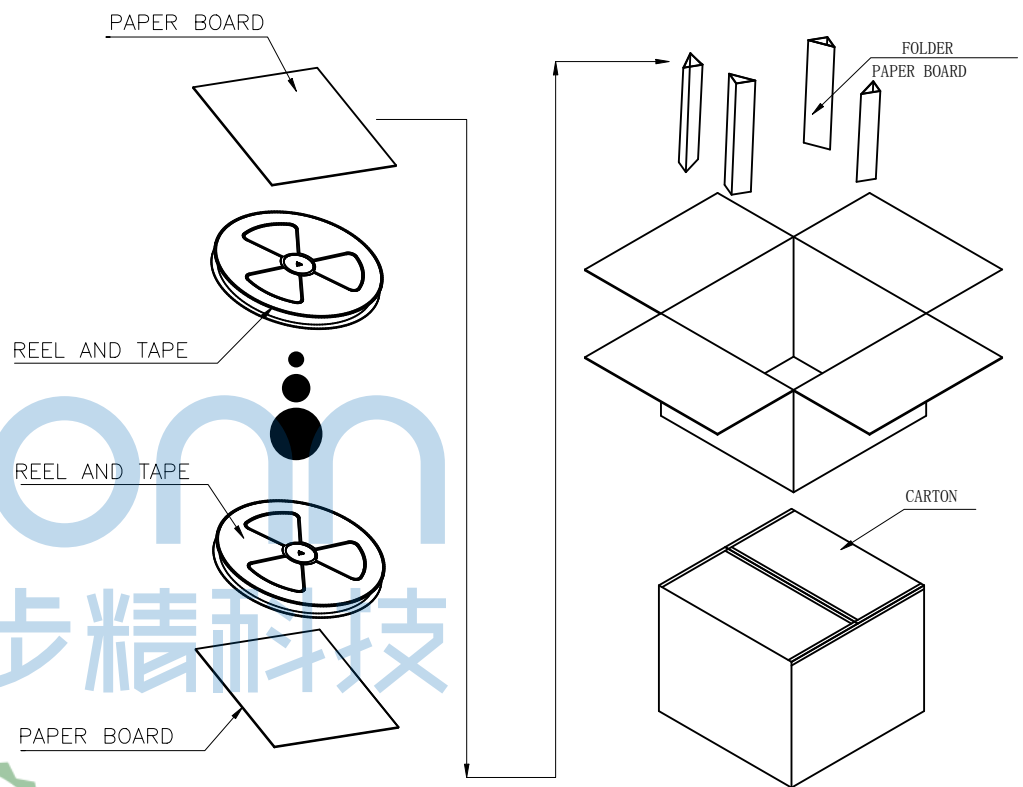
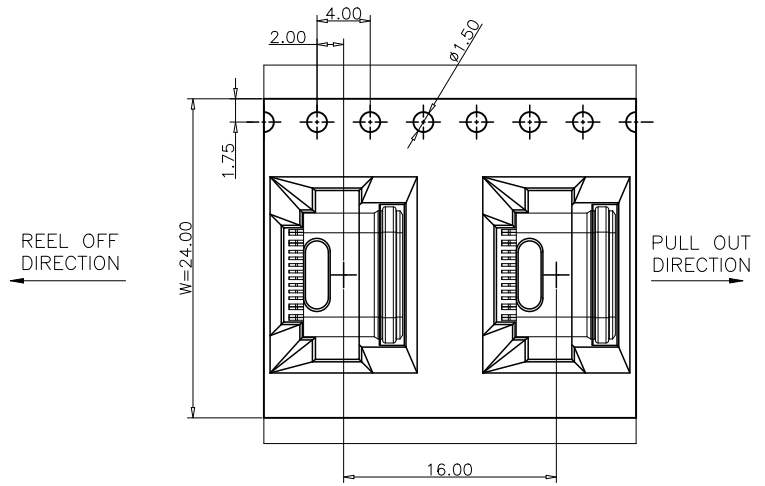
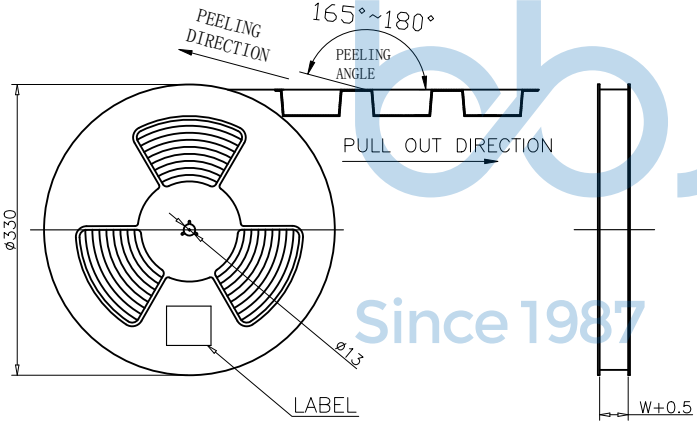


THIS DOCUMENT IS THE SOLE PROPERTY OF BBJconn Technology Co.,Ltd. Corporation AND SHOULD NOT BE USED IN WHOLE OR IN PART WITHOUT PRIOR WRITTEN PERMISSION.		深圳市步步精科技有限公司 .X: ±0.38 X': ±3" .XX: ±0.25 .X": ±2" .XXX: ±0.13 .XX': ±1"	
APPD.	JM_Zheng	NAME: TYPE-C 16P 防水母座 板上四脚插 带柱 端子SMT L=7.45 CH=1.68 U型粉末锌合金外壳 IPX7 (ATCF-16-025)	
CHKD.	LYX	PJ. NO.: 126-221-160007-J2G	
DR.	TSP	SIZE: A4 DRW NO.:	
PDWG.NO: 0395-1		FINISH: SEE NOTES MAT'L.: SEE NOTES	
		SCALE: N/A REV.: A0 UNIT: mm PAGE: 2/3	

REV.	ECN NO	CONTENT	DATE	ENGINEER
A0		Initial release	/	TSP



SEE DETAIL X



	REEL	CARTON
CONNECTOR (PCS)	700	7000

THIS DOCUMENT IS THE SOLE PROPERTY OF BBJconn Technology Co., Ltd. Corporation AND SHOULD NOT BE USED IN WHOLE OR IN PART WITHOUT PRIOR WRITTEN PERMISSION.		深圳市步步精科技有限公司 NAME: TYPE-C 16P 防水母座 板上四脚插 带柱 端子SMT L=7.45 CH=1.68 U型粉末合金外壳 IPX7 (ATCF-16-025)	
APPD.	JM_Zheng	PJ. NO.: 126-221-160007-J2G SIZE: A4 DRW NO.:	
CHKD.	LYX		
PDWG.NO:	0395-1	DR.	TSP
		FINISH: SEE NOTES	MAT'L.: SEE NOTES
		SCALE: N/A	REV.: A0 UNIT: mm PAGE: 3/3