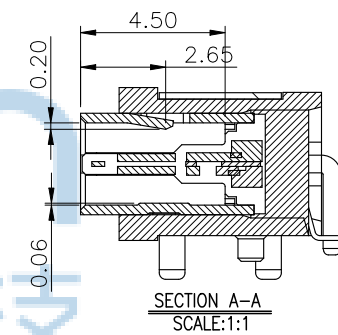
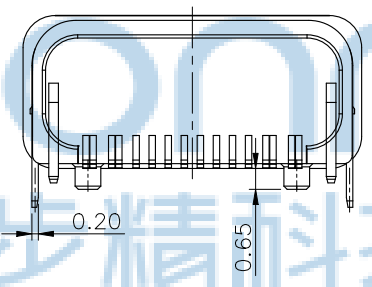
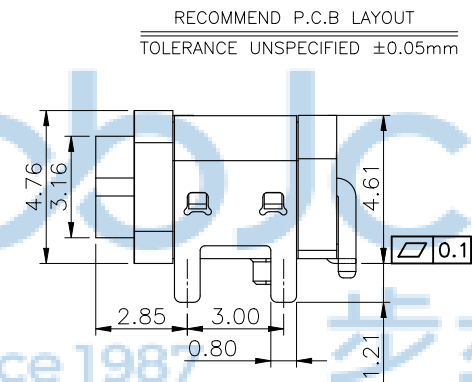
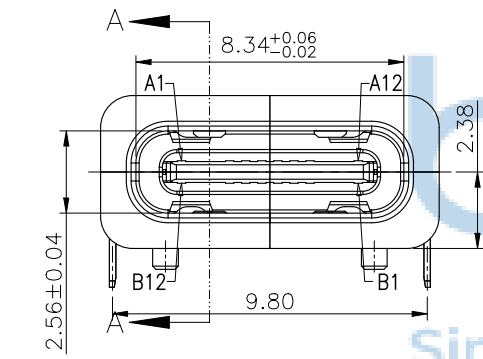
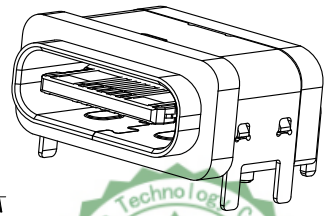
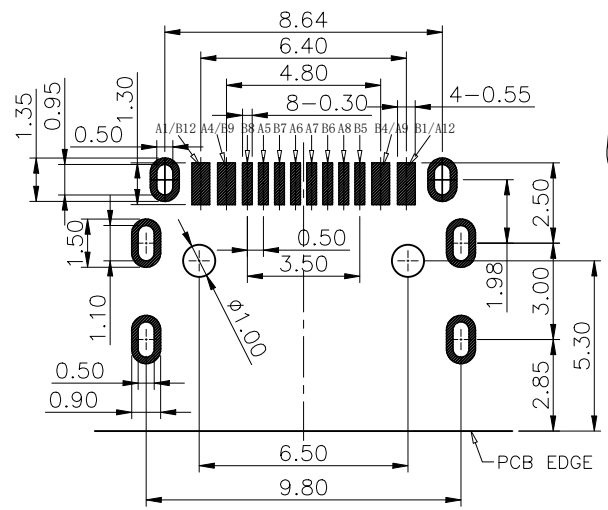
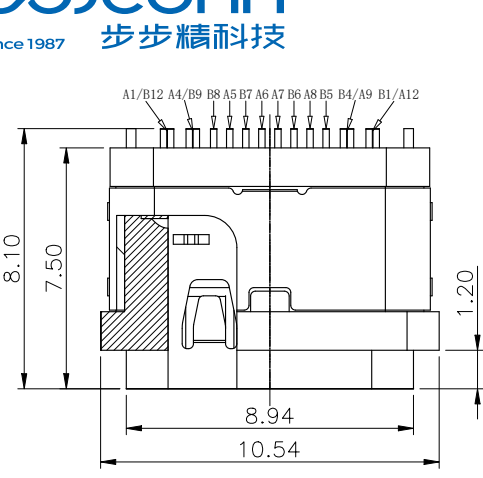


REV	ECN NO	CONTENT	DATE	ENGINEER
A0		INITIAL RELEASE	/	SGF

- NOTES:
SPECIFICATION:
1.CURRENT RATING: 3.0 A
2.VOLTAGE RATING: 3.0 V
3.VBUS & GND PINS AND OTHER PINS: 40mΩ/PIN MAX
SHIELD: 50mΩ/MAX
LLCR MAX. CHANGE OF ALL PINS: 10mΩ
4.INSULATION RESISTANCE: 100MΩ MIN
5.DIELECTRIC WITHSTAND VOLTAGE,AC 100V FOR 1MINUTE
6.LNSERTION FORCE: 0.5~2.0kgf
7.UNMATING FORCE: 0.8~2.0kgf
8.DURABILITY: 10000 CYCLES
9.OPERATING TEMPERATURE: -35°C~+85°C
10.THE PEAK TEMPERATURE ON THE BOARD SHALL BE MAINTAINED FOR 10 SECONDS AT 210~250°C
11.WATERPROOF:IP-X7.



USB TYPE C PIN ASSIGNMENTS

PIN NUMBER	SIGNAL NAME	PIN NUMBER	SIGNAL NAME
A1	GND	B12	GND
A2		B11	
A3		B10	
A4	VBUS	B9	VBUS
A5	CC1	B8	SBU2
A6	DP1	B7	DN2
A7	DN1	B6	DP2
A8	SBU1	B5	CC2
A9	VBUS	B4	VBUS
A10		B3	
A11		B2	
A12	GND	B1	GND

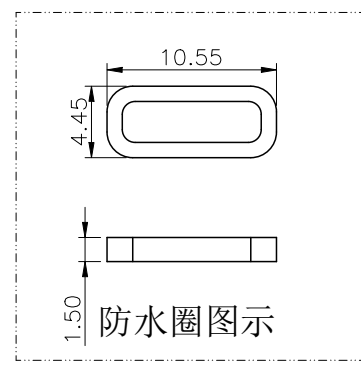
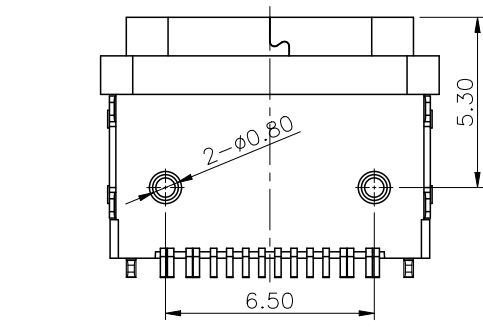


TABLE:

NO	PART	Q'TY	Material
1	PLASTIC SHELL	1	PA&LCP UL94 V-0 BLACK
2	SHELL	1	STAINLESS STEEL,NI PLATED
3	CONTACT	16	COPPER ALLOY,TIN/Au/NI PLATED
4	MD PLATE	1	STAINLESS STEEL,NO PLATING
5	MD HOUSING	1	PA&LCP UL94 V-0 BLACK
6	SHIELDING PLATE	1	STAINLESS STEEL,NI PLATED
7	WATERPROOF RING	1	SILICONE UL94 V-0 RED

THIS DOCUMENT IS THE SOLE PROPERTY OF BBJconn Technology Co.,Ltd. Corporation AND SHOULD NOT BE USED IN WHOLE PRIOR WRITTEN PERMISSION.

PDWG NO: 0395-1

深圳市步步精科技有限公司

NAME: TYPE-C 16P 防水母座 板上四脚插 带柱 端子SMT L=7.50 CH=2.38 防水IPX7 编带

PJ NO: 126-221-160008-J2G

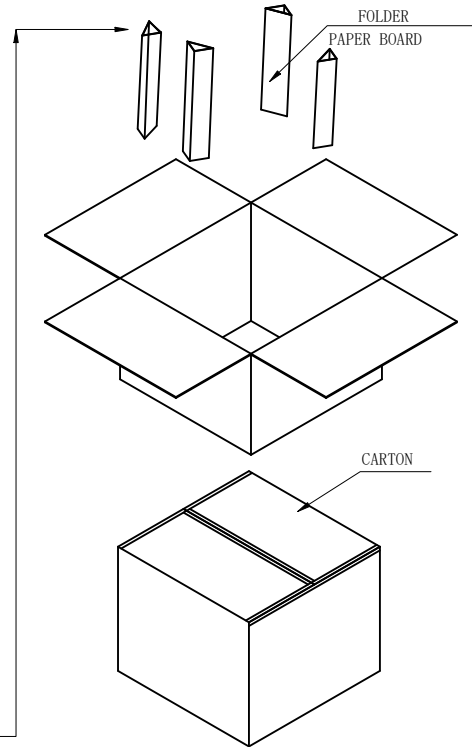
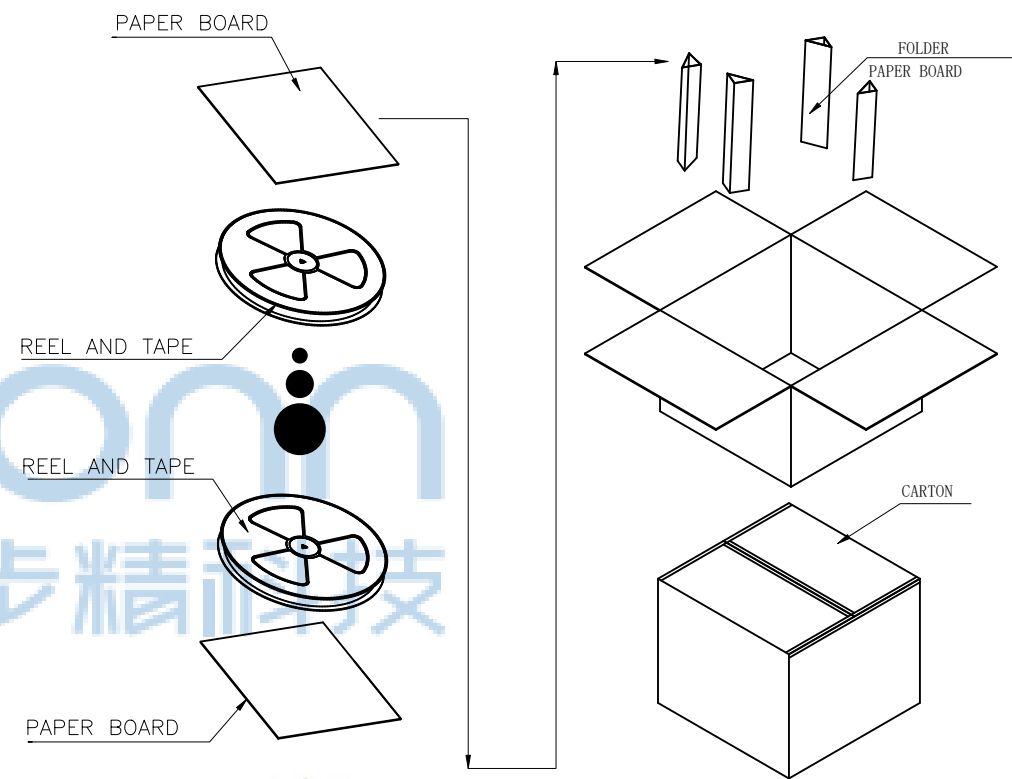
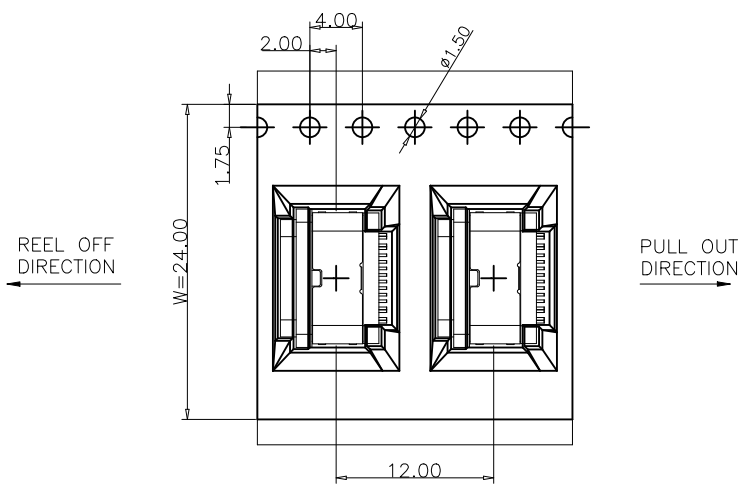
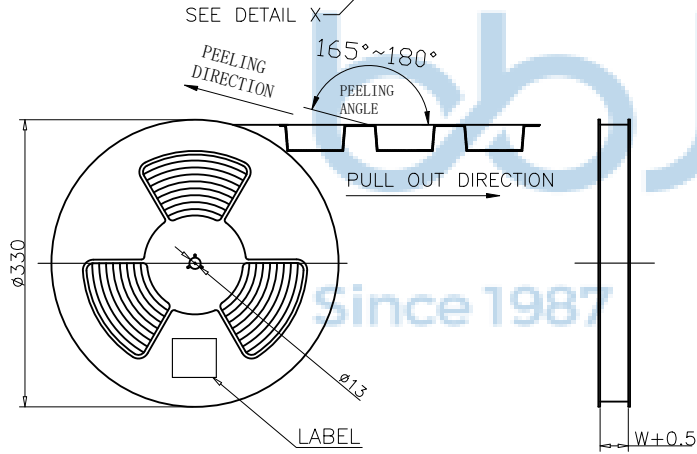
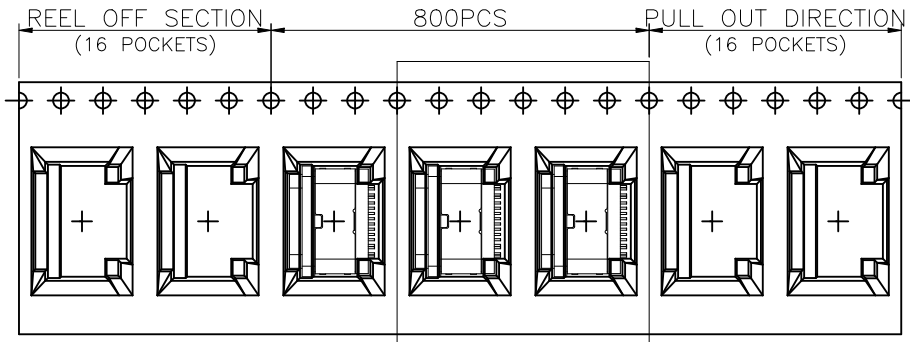
SIZE:A4 DRW NO:

FINISH:SEE NOTES MAT'L:SEE NOTES

SCALE:N/A REV:A0 UNIT:mm PAGE:1/2

APPD: JM_Zheng
CHKD: LYX
DR: SGF

REV	ECN NO	CONTENT	DATE	ENGINEER
AO		INITIAL RELEASE	/	SGF



	REEL	CARTON
CONNECTOR (PCS)	800	8000

THIS DOCUMENT IS THE SOLE PROPERTY OF BBJconn Technology Co.,Ltd. Corporation AND SHOULD NOT BE USED IN WHOLE PRIOR WRITTEN PERMISSION.		深圳市步步精科技有限公司 .X: ±0.38 .X': ±3' .XX: ±0.25 .X'': ±2' .XXX: ±0.13 .XX': ±1'	
APPD	JM_Zheng	NAME:	TYPE-C 16P 防水母座 板上四脚插 带柱 端子SMT L=7.50 CH=2.38 防水IPX7 编带
CHKD	LYX		PJ NO: 126-221-160008-J2G
DR	SGF	SCALE:N/A	REV:AO
PDWG NO: 0395-1		FINISH:SEE NOTES	MAT'L:SEE NOTES
		UNIT:mm	PAGE:2/2