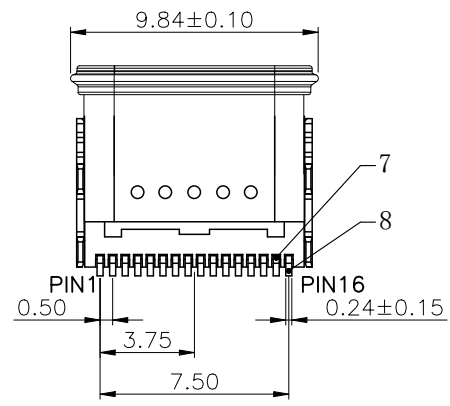
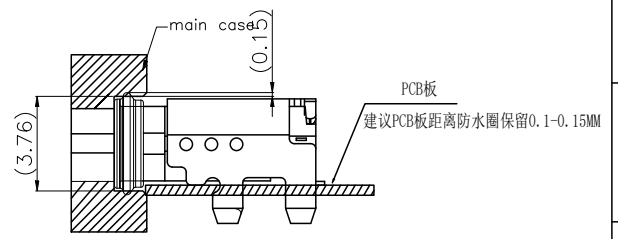
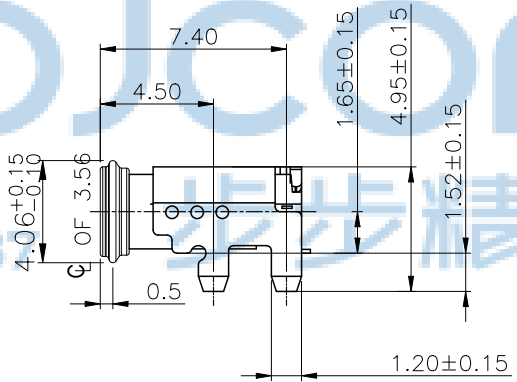
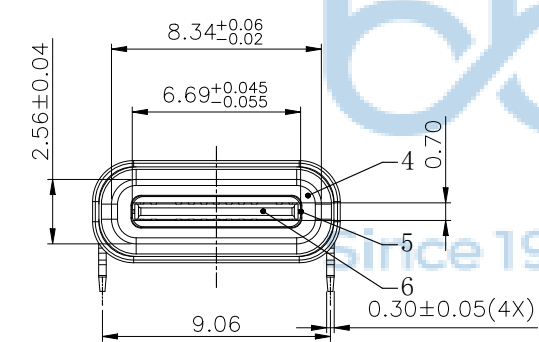
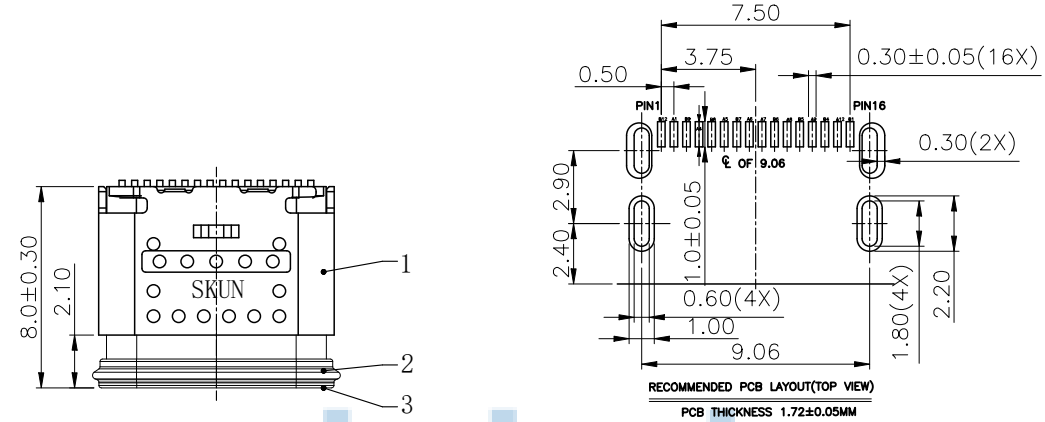


REV	ECN NO	CONTENT	DATE	ENGINEER
AO		INITIAL RELEASE	/	SGF

Notes:

- ELECTICAL characteristics:
 - Dielectric withstand:500V AC/1minute.
 - Current rating:
Vbus and GND contact:≥1.25A/pin,Paralleled for a total of 5A Min
Other contacts:≥0.25A/pin
 - Initial LLCR 40mΩ max, after test Δ10mΩ max:
40mΩ MAX.FOR VBUS,GND AND OTHE CONTACTS,
50mΩ MAX.FINAL AFTER TEST.
 - Insulation Resistance:1000MΩ Min
- Mechanical characteristics
 - Insert force:5~20N MAX.
Withdraw force:8~20N,after test:6~20N
 - Durability:10000 cycles min
 - Laser point:Height<0.05mm, Pulling force>50N
- Envirmention characteristics
 - Opreating temperature:-40~+85℃
 - Salty spray:48hours (EIA-364-26B-B)
 - Burr:0.05MM MAX.
- Tape and reel packing satisfy EIA-364-481 standard



PIN ASSIGNMENTS

A1	GND	B12	GND
A2		B11	
A3		B10	
A4	VBUS	B9	VBUS
A5	CC1	B8	SBU2
A6	DP1	B7	DN2
A7	DN1	B6	DP2
A8	SBU1	B5	CC2
A9	VBUS	B4	VBUS
A10		B3	
A11		B2	
A12	GND	B1	GND
PIN	SIGNAL NAME	PIN	SIGNAL NAME



⑧	1	下端子	铜合金C7025 TM03	镀金3U
⑦	1	上端子	铜合金C7025 TM03	镀金3U
⑥	1	I/M	pa46	/
⑤	1	中隔片	不锈钢SUS301	水洗
④	1	EMI	不锈钢SUS304	水洗
③	1	内铁壳	不锈钢SUS304	水洗
②	1	密封圈	液态硅胶成型黑色	/
①	1	外铁壳	不锈钢304	镀镍
序号	数量	零件名称	材料	镀层

THIS DOCUMENT IS THE SOLE PROPERTY OF BBJconn Technology Co.,Ltd. Corporation AND SHOULD NOT BE USED IN WHOLE PRIOR WRITTEN PERMISSION.

PDWG NO: 0395-1

DR SGF

APPD JM_Zheng

CHKD LYX

NAME: TYPE-C 16P 防水母座 板上四脚插 端子SMT 带中夹片 L=8.0 5A大电流 IPX8 编带

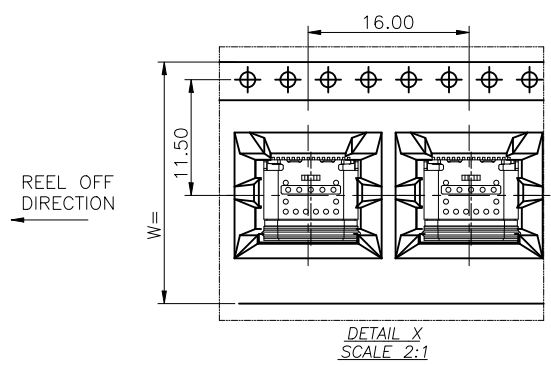
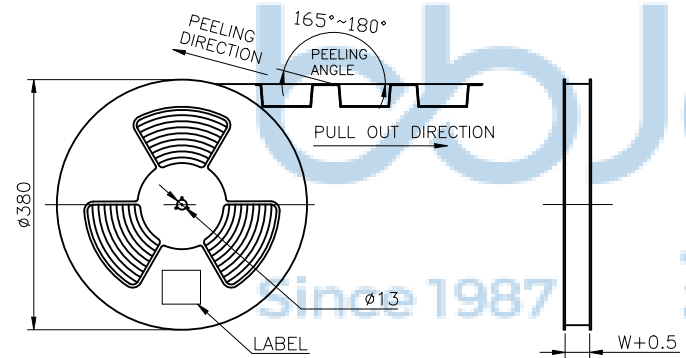
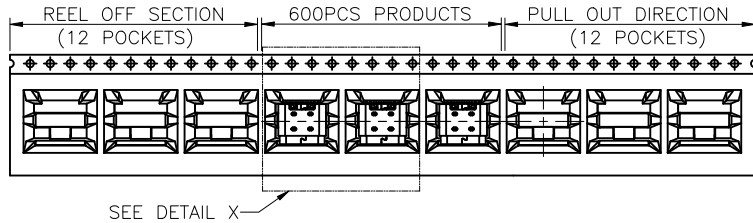
PJ NO: 126-221-160009-J2G

SIZE:A4 DRW NO:

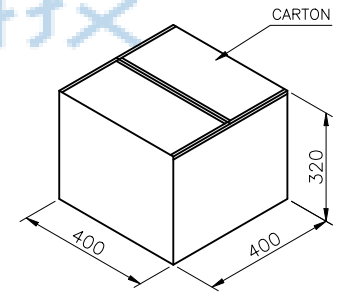
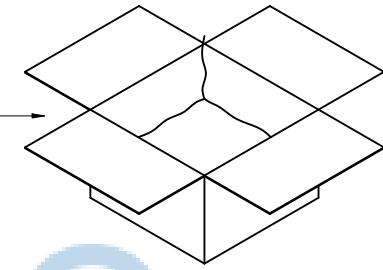
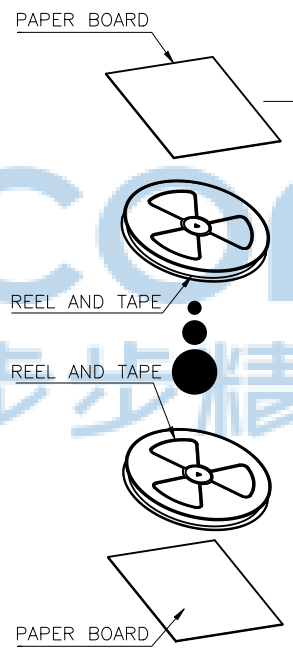
FINISH:SEE NOTES MAT'L:SEE NOTES

SCALE:N/A REV:AO UNIT:mm PAGE:1/2

REV	ECN NO	CONTENT	DATE	ENGINEER
A0		INITIAL RELEASE	/	SGF



每盘真空包装



	REEL	CARTON
CONNECTOR (PCS)	600	6000



THIS DOCUMENT IS THE SOLE PROPERTY OF BBJconn Technology Co.,Ltd. Corporation AND SHOULD NOT BE USED IN WHOLE PRIOR WRITTEN PERMISSION.

PDWG NO: 0395-1

深圳市步步精科技有限公司

.X: ± 0.38	X': $\pm 3'$	NAME: TYPE-C 16P 防水母座 板上四脚插 端子SMT 带中夹片 L=8.0 5A大电流 IPX8 编带
.XX: ± 0.25	.X': $\pm 2'$	
.XXX: ± 0.13	.XX': $\pm 1'$	
APPD	JM_Zheng	PJ NO: 126-221-160009-J2G
CHKD	LYX	SIZE:A4 DRW NO:
DR	SGF	FINISH:SEE NOTES MAT'L:SEE NOTES
		SCALE:N/A REV:A0 UNIT:mm PAGE:2/2