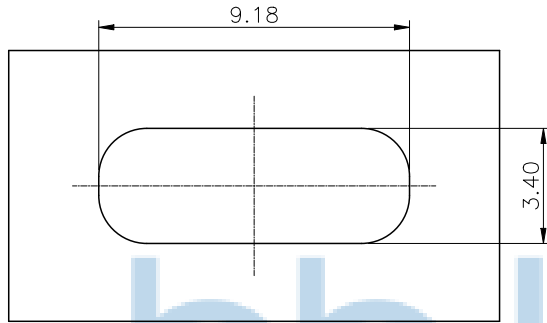
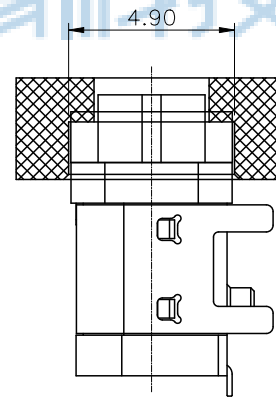
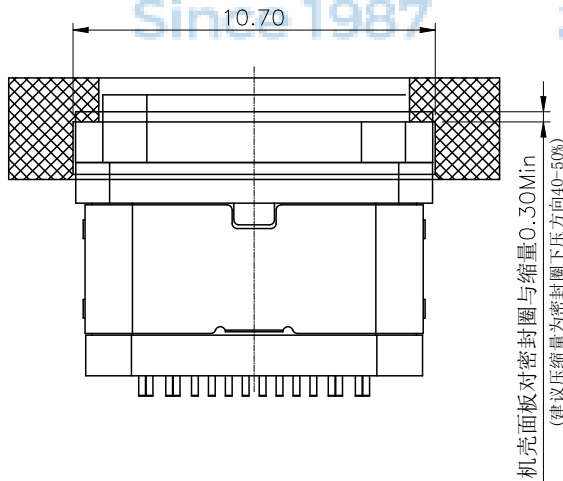

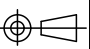


REV	ECN NO	CONTENT	DATE	ENGINEER
A0		INITIAL RELEASE	/	SGF

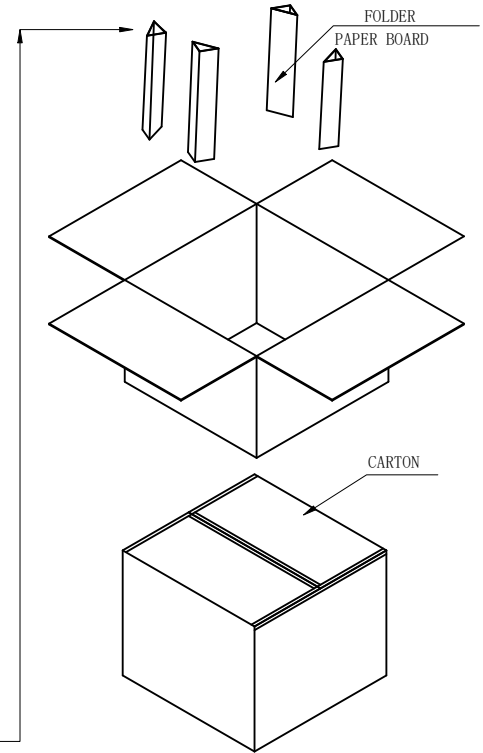
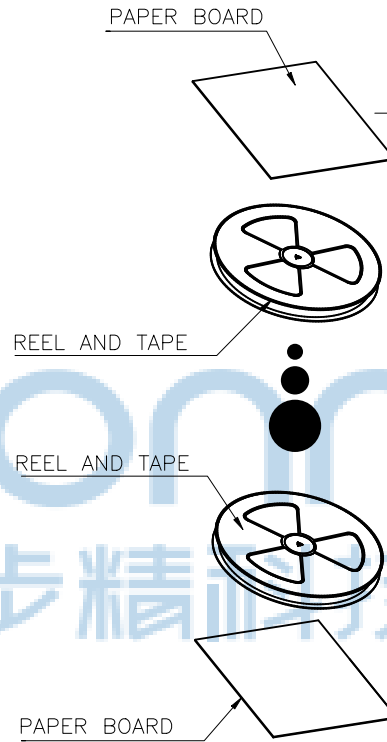
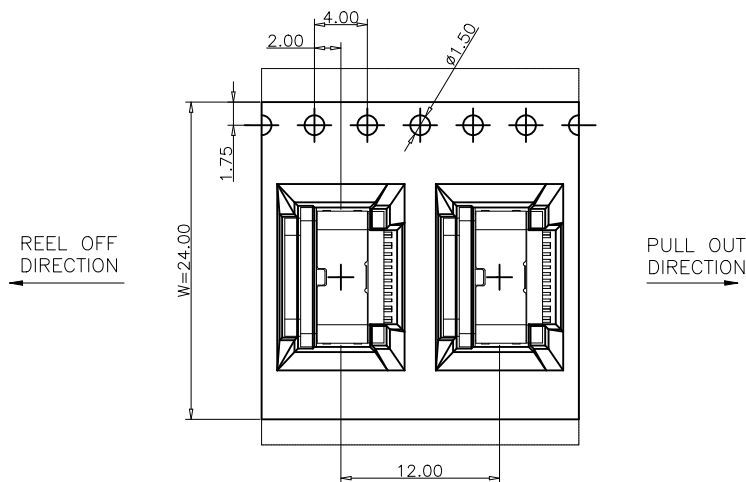
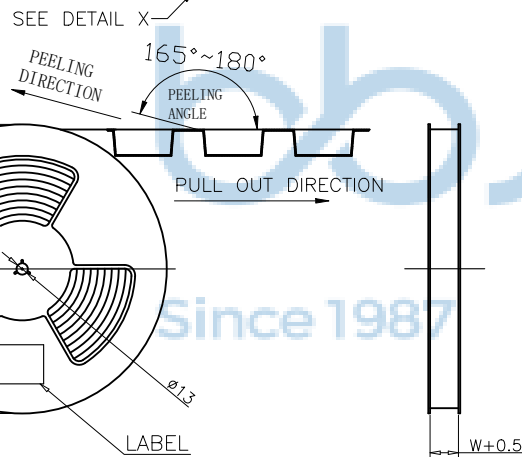
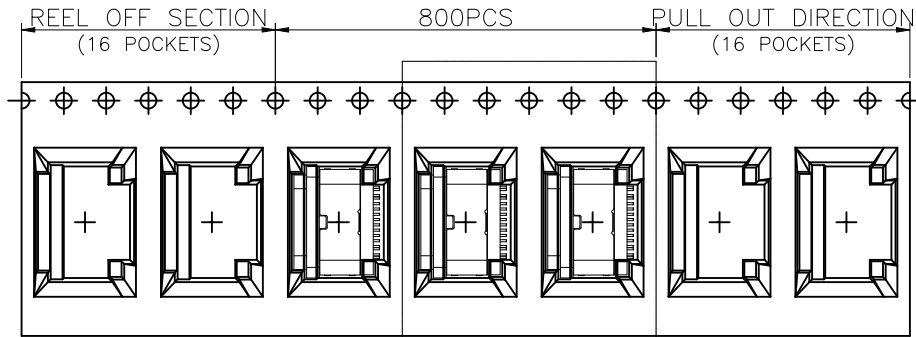


密封开孔参考尺寸(仅供参考)
组装外壳时需要打环保润滑油



THIS DOCUMENT IS THE SOLE PROPERTY OF BBJconn Technology Co.,Ltd. Corporation AND SHOULD NOT BE USED IN WHOLE PRIOR WRITTEN PERMISSION.		 深圳市步步精科技有限公司	
.X: ±0.38 .XX: ±0.25 .XXX: ±0.13		X': ±3" X'': ±2" XX': ±1"	
APPD	JM_Zheng	NAME: TYPE-C 16P 防水母座 板上型 四脚插 端子SMT L=8.30 带中夹片 带柱 IPX7 方形防水圈 编带	
CHKD	LYX	 PJ NO: 126-221-160010-J2G SIZE:A4 DRW NO:	
PDWG NO: 0395-1	DR	SGF	FINISH:SEE NOTES MAT'L:SEE NOTES SCALE:N/A REV:A0 UNIT:mm PAGE:2/3

REV	ECN NO	CONTENT	DATE	ENGINEER
A0		INITIAL RELEASE	/	SGF



	REEL	CARTON
CONNECTOR (PCS)	800	8000

THIS DOCUMENT IS THE
SOLE PROPERTY OF
BBJconn Technology Co.,Ltd.
Corporation AND SHOULD
NOT BE USED IN WHOLE
PRIOR WRITTEN PERMISSION.

深圳市步步精科技有限公司

.X: ±0.38	X': ±3'	NAME: TYPE-C 16P 防水母座 板上型 四脚插 端子SMT L=8.30 带中夹片 带柱 IPX7 方形防水圈 编带	
.XX: ±0.25	.X': ±2'		
.XXX: ±0.13	.XX': ±1'		
APPD	JM_Zheng	PJ NO: 126-221-160010-J2G	
CHKD	LYX	SIZE:A4 DRW NO:	
PDWG NO: 0395-1	DR	SGF	FINISH:SEE NOTES MAT'L:SEE NOTES
			SCALE:N/A REV:A0 UNIT:mm PAGE:3/3