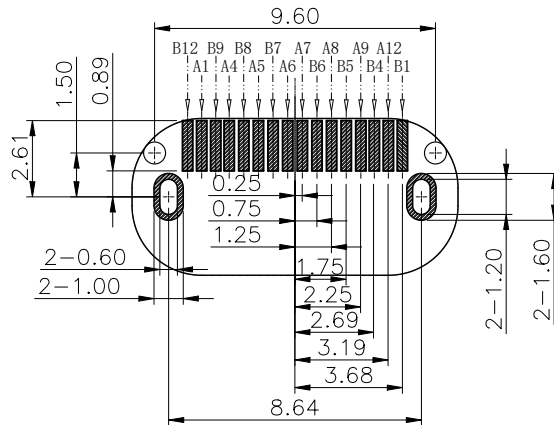
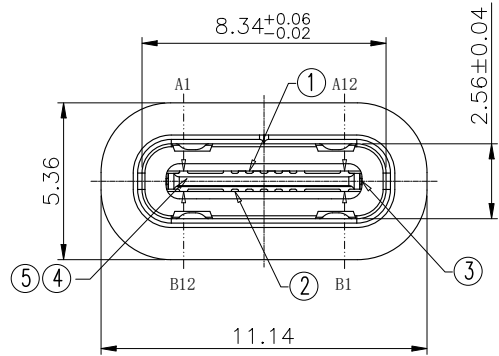


REV	ECN NO	CONTENT	DATE	ENGINEER
A0		INITIAL RELEASE	/	SGF



RECOMMEND P.C.B LAYOUT (COMPONENT SIDE)  
TOLERANCE FOR PCB LAYOUT IS ±0.05



NOTES:

- ELECTRICAL CHARACTERISTICS
- LOW LEVEL CONTACT RESISTANCE:  
40m ohm MAX FOR ALL CONTACT  
50m ohm MAX AFTER ENMRINMENT TEST
- DIELECTRIC WITHSTANDING VOLTAGE  
100 VAC FOR 1 MINUTE SEA LEVEL
- INSULATION RESISTANCE  
100meg ohm MIN
- CURRENT RATING  
VBUS AND GND CONTACTS RATED AT 2.5A  
EA. PARALLELED FOR A TOTAL OF 6A
- MECHANICAL CHARACTERISTICS:
  - INSERTION FORCE: 20N MAX
  - EXTRACTION FORCE 1-1000CYCES 8N MN. 20 N MAX  
EXTRACTION FORCE 1001-10000 cYaes 6N MIN. 20 N MAX
  - DURABILTY : 10,000craES
  - OPERATING TEMPERATURE: -55°C TO +85°C

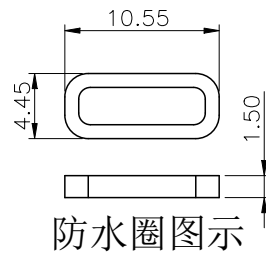
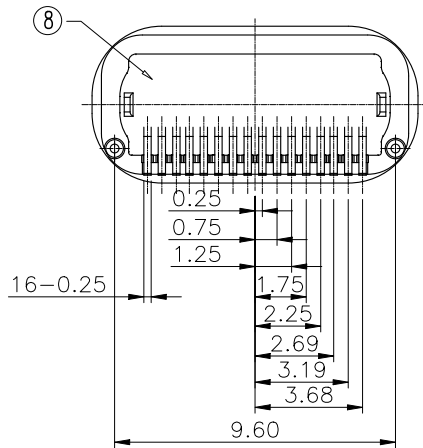
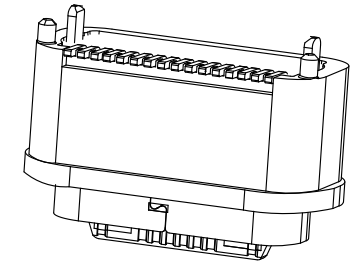
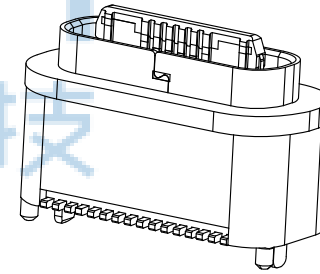
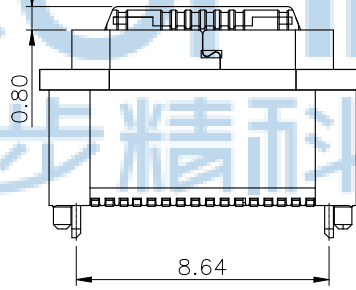
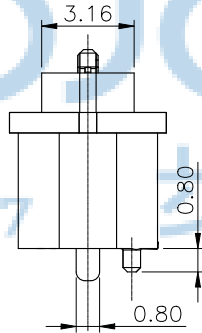
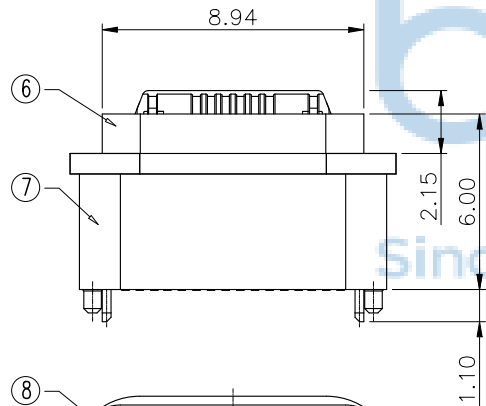


TABLE:

NO	PART	Q'TY	Material
1	TOP TERMINAL	8	COPPER ALLOY/Au PLATED
2	BOTTOM TERMINAL	8	COPPER ALLOY/Au PLATED
3	MID PLATE	1	STAINLESS STEEL 清洗
4	MOLDING 1	1	THERMOPLASTIC PLASTICS
5	MOLDING 2	1	THERMOPLASTIC PLASTICS
6	SHELL1	1	STAINLESS STEEL IS NICKEL-PLATED
7	HOUSING	1	THERMOPLASTIC PLASTICS
8	WATERPROOF GLUE	1	EPOXY RESIN

USB TYPE C PIN ASSIGNMENTS

PIN NUMBER	SIGNAL NAME	PIN NUMBER	SIGNAL NAME
A1	GND	B12	GND
A4	VBUS	B9	VBUS
A5	CC1	B8	SBU2
A6	DP1	B7	DN2
A7	DN1	B6	DP2
A8	SBU1	B5	CC2
A9	VBUS	B4	VBUS
A12	GND	B1	GND

THIS DOCUMENT IS THE  
SOLE PROPERTY OF  
BBJconn Technology Co.,Ltd.  
Corporation AND SHOULD  
NOT BE USED IN WHOLE  
PRIOR WRITTEN PERMISSION.

PDWG NO: 0395-1



深圳市步步精科技有限公司

.X: ±0.38 X': ±3'  
.XX: ±0.25 .X': ±2'  
.XXX: ±0.13 .XX': ±1'

NAME: TYPE-C 16P 防水母座 直立式 H=6.0 舌片外  
露0.8 端子SMT 带柱 大电流6A IPX8 编带

APPD JM\_Zheng

PJ NO: 126-224-160007-J2G

CHKD LYX

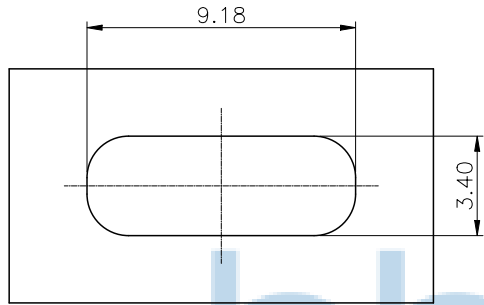
SIZE:A4 DRW NO:

DR SGF

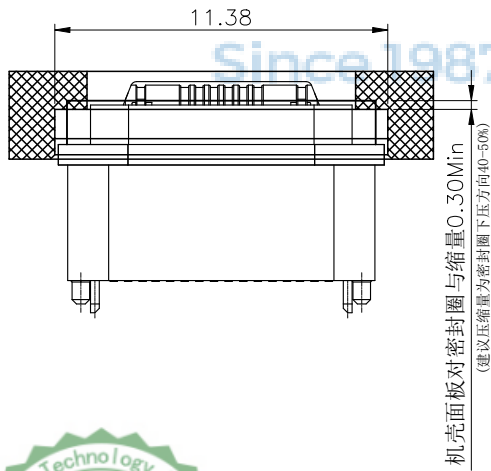
FINISH:SEE NOTES MAT'L:SEE NOTES

SCALE:N/A REV:A0 UNIT:mm PAGE:1/3

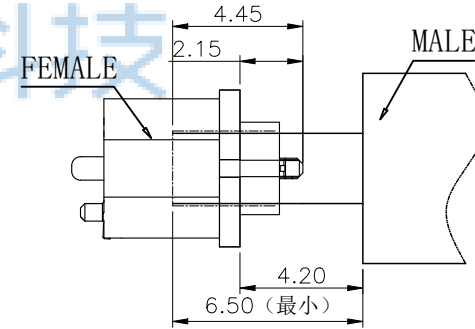
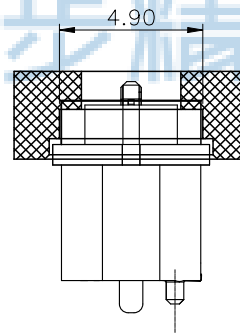
REV	ECN NO	CONTENT	DATE	ENGINEER
A0		INITIAL RELEASE	/	SGF



密封开孔参考尺寸(只供参考)  
组装外壳时需要打环保润滑油



机壳面板对密封圈与缩量0.30Min  
(建议压缩量为密封圈下压方向40-50%)



THIS DOCUMENT IS THE  
SOLE PROPERTY OF  
BBJconn Technology Co.,Ltd.  
Corporation AND SHOULD  
NOT BE USED IN WHOLE  
PRIOR WRITTEN PERMISSION.

深圳市步步精科技有限公司

.X: ±0.38 X': ±3"  
.XX: ±0.25 .X': ±2"  
.XXX: ±0.13 .XX': ±1"

NAME: TYPE-C 16P 防水母座 直立式 H=6.0 舌片外  
露0.8 端子SMT 带柱 大电流6A IPX8 编带

APPD JM\_Zheng

PJ NO: 126-224-160007-J2G

CHKD LYX

SIZE:A4 DRW NO:

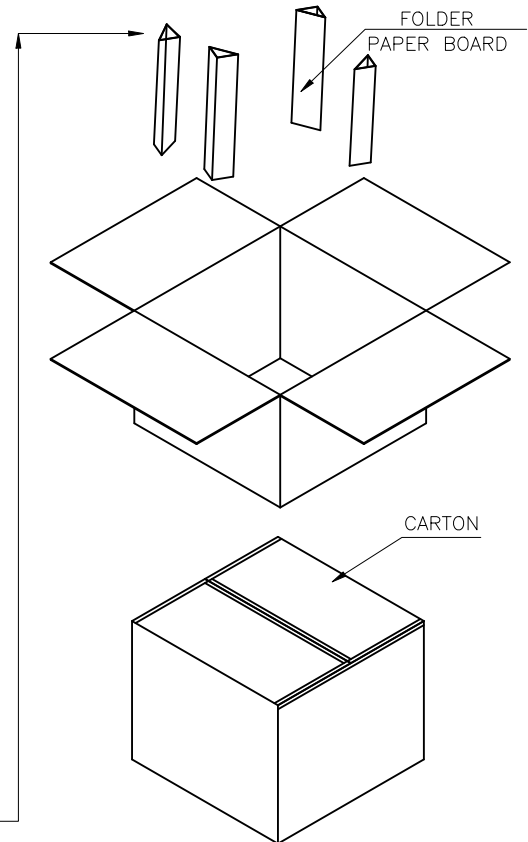
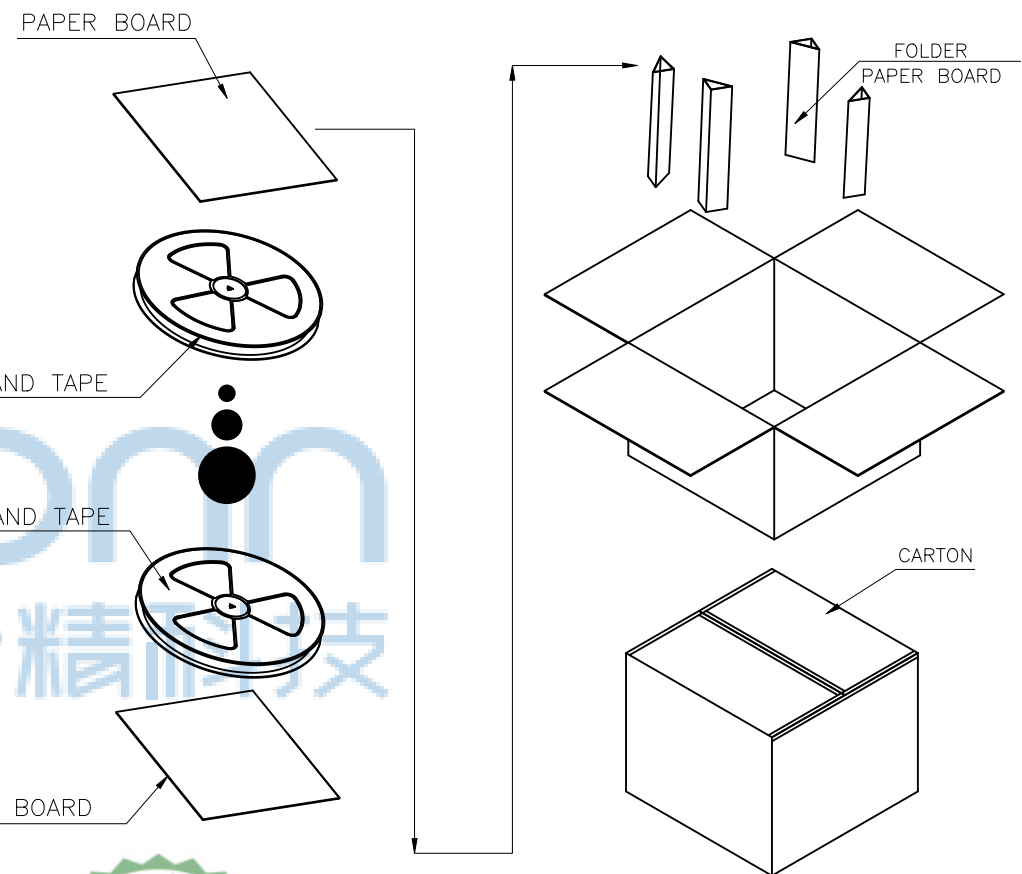
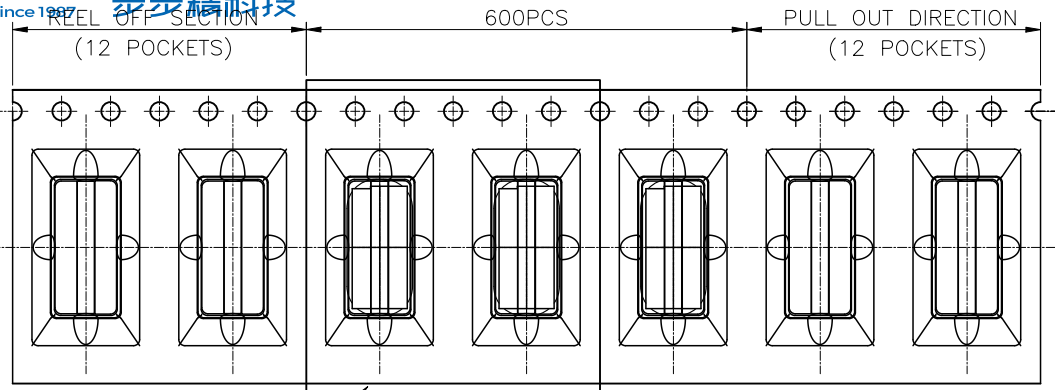
DR SGF

FINISH:SEE NOTES MAT'L:SEE NOTES

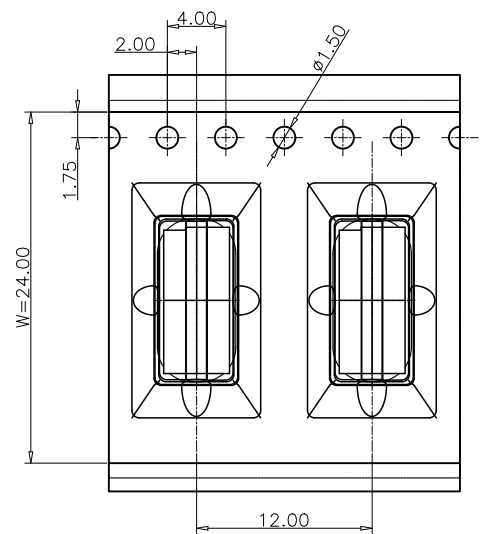
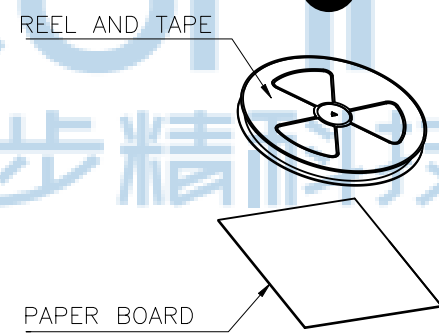
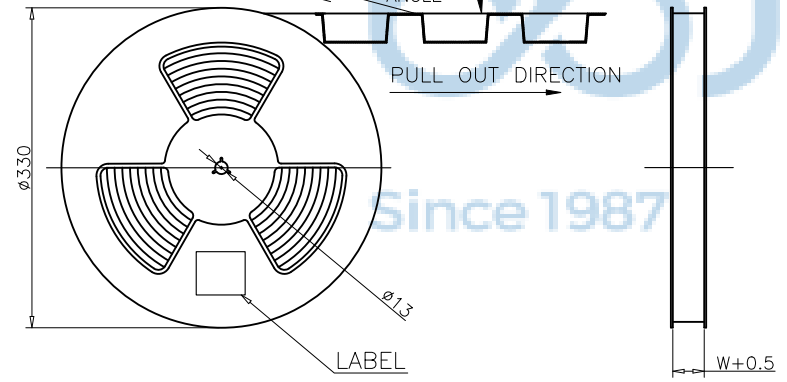
PDWG NO: 0395-1

SCALE:N/A REV:A0 UNIT:mm PAGE:2/3

REV	ECN NO	CONTENT	DATE	ENGINEER
A0		INITIAL RELEASE	/	SGF



SEE DETAIL X



W+0.5



	REEL	CARTON
CONNECTOR (PCS)	600	6000

THIS DOCUMENT IS THE SOLE PROPERTY OF BBJconn Technology Co.,Ltd. Corporation AND SHOULD NOT BE USED IN WHOLE PRIOR WRITTEN PERMISSION.		深圳市步步精科技有限公司 .X: ±0.38    .XX: ±0.25    .XXX: ±0.13 X': ±3"    .X': ±2"    .XX': ±1"		NAME: TYPE-C 16P 防水母座 直立式 H=6.0 舌片外露0.8 端子SMT 带柱 大电流6A IPX8 编带 PJ NO: 126-224-160007-J2G SIZE:A4   DRW NO:	
APPD	JM_Zheng	FINISH:SEE NOTES SCALE:N/A   REV:A0		MAT'L:SEE NOTES UNIT:mm   PAGE:3/3	
CHKD	LYX	PDWG NO: 0395-1		DR   SGF	