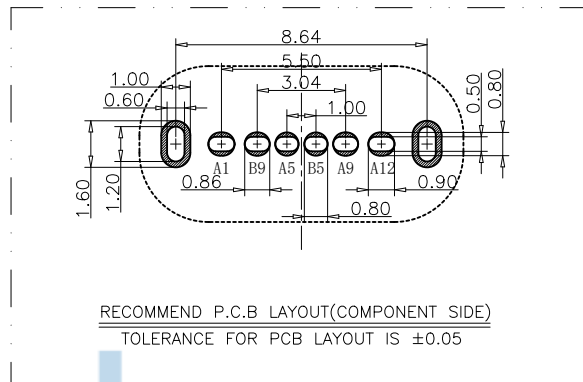
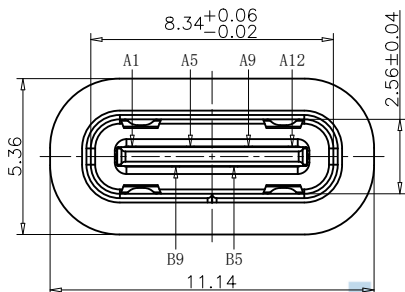
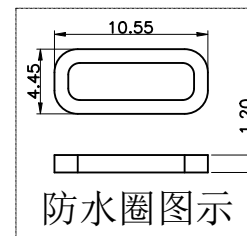
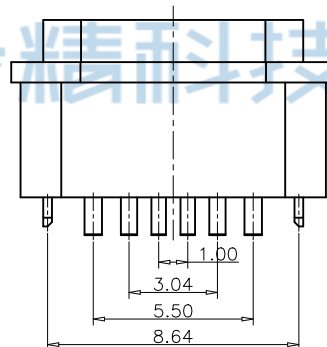
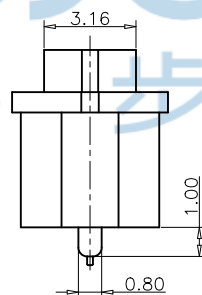
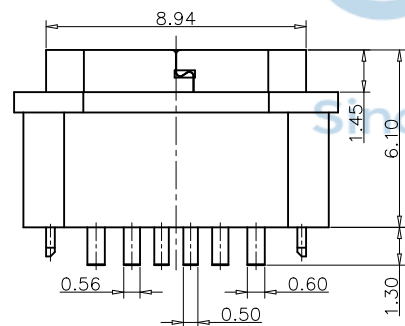


REV.	ECN NO.	CONTENT	DATE	ENGINEER
A0		Initial release	/	ZY



备注 (NOTE):

- 电气特性:
 - 接触区: 接触电阻40mΩ Max, 允许10mΩ变化量. 测试条件: 20mv, 100mA下测量.
 - 接触电流: 3A VBUS引脚; 1.25A用于GND引脚; 其他引脚为0.25A.
 - 额定电压: 5V.
 - 耐电压: 100VAC.
 - 绝缘电阻: 至少100兆欧.
- 机械性能:
 - 插入力: 0.5-2.0Kg
 - 拔出力: 0.6-2.04Kg
 - 插拔次数: 10000次.
 - 可焊性: 温度210-230℃, 时间10秒.
 - 工作环境: -20℃ to +85℃.



USB TYPE C PIN ASSIGNMENTS

PIN NUMBER	SIGNAL NAME	PIN NUMBER	SIGNAL NAME
A1	GND		
		B9	VBUS
A5	CC1		
		B5	CC2
A9	VBUS		
A12	GND		

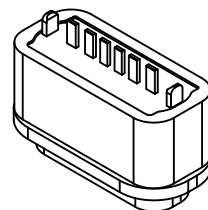
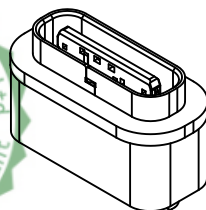
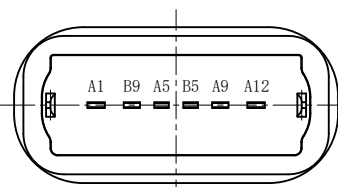


TABLE:

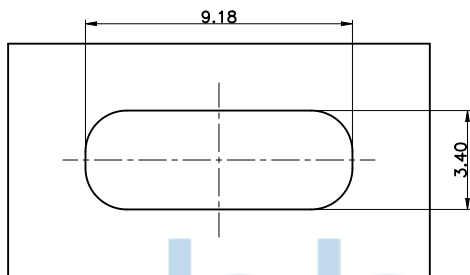
NO	PART	Q'TY	Material
1	SHELL	1	STAINLESS STEEL, NI PLATED
2	CONTACT	6	COPPER STEEL, TIN/Au/NI PLATED
3	1MD HOUSING	1	HIGH TEMPERATURE RESISTANT PLASTIC BLACK UL94 V-0
4	2MD HOUSING	1	HIGH TEMPERATURE RESISTANT PLASTIC BLACK UL94 V-0

THIS DOCUMENT IS THE SOLE PROPERTY OF BBJconn Technology Co., Ltd. Corporation AND SHOULD NOT BE USED IN WHOLE OR IN PART WITHOUT PRIOR WRITTEN PERMISSION. PDWG.NO: 0395-1

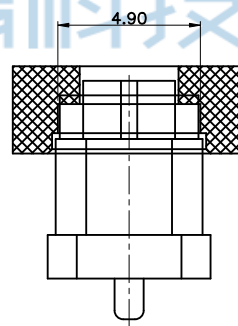
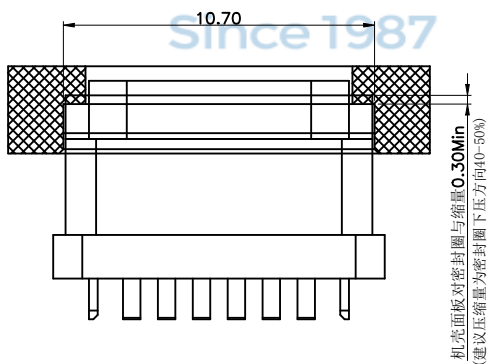
深圳市步步精科技有限公司


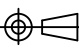
.X: ±0.38 .XX: ±0.25 .XXX: ±0.13		X': ±3' .X': ±2' .XX': ±1'		NAME: TYPE-C 6P 防水 母座 直立式 两脚直插 端子DIP H=6.10 带中夹片 不锈钢外壳 带1.20mm方形防水圈 IPX7 编带
APPD.	JM_Zheng	PJ. NO.: 126-225-060002-J2G		
CHKD.	LYX	SIZE: A4 DRW NO.:		
DR.	ZY	FINISH: SEE NOTES	MAT'L.: SEE NOTES	
		SCALE: N/A	REV.: A0	UNIT: mm
		PAGE: 1/3		

REV.	ECN NO.	CONTENT	DATE	ENGINEER
A0		Initial release	/	ZY

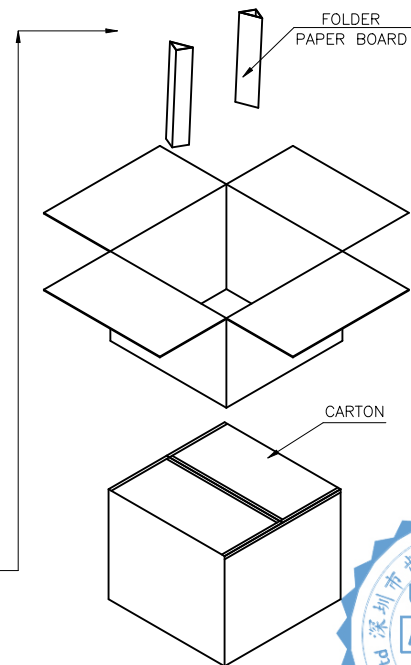
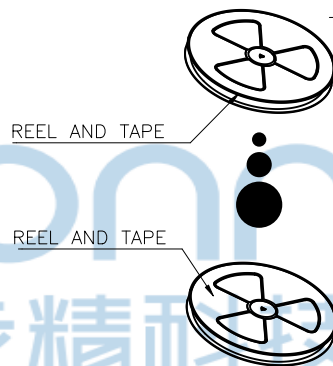
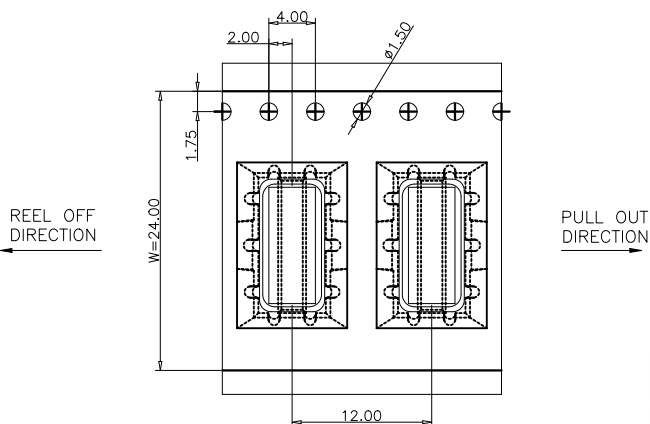
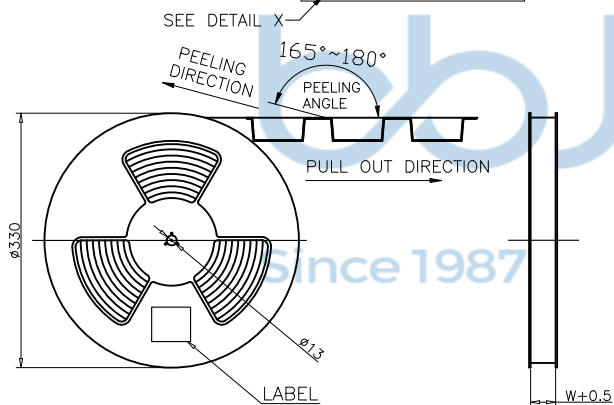
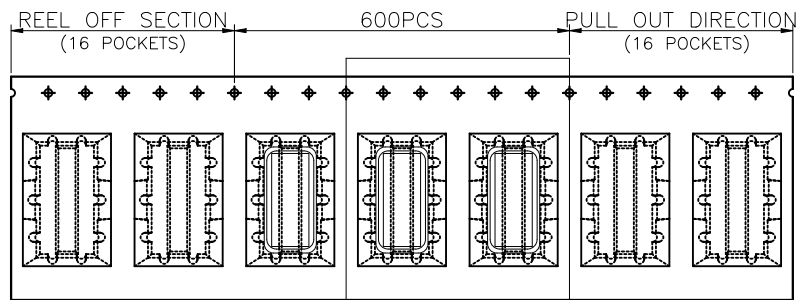


密封开孔参考尺寸(只供参考)
组装外壳时需要打环保润滑油



THIS DOCUMENT IS THE SOLE PROPERTY OF BBJconn Technology Co., Ltd. Corporation AND SHOULD NOT BE USED IN WHOLE OR IN PART WITHOUT PRIOR WRITTEN PERMISSION.		 深圳市步步精科技有限公司	
PDWG.NO: 0395-1	APPD. JM_Zheng	NAME: TYPE-C 6P 防水 母座 直立式 两脚直插 端子DIP H=6.10 带中夹片 不锈钢外壳 带1.20mm方形防水圈 IPX7 编带	
	CHKD. LYX	 PJ. NO.: 126-225-060002-J2G SIZE: A4 DRW NO.:	
	DR. ZY	FINISH: SEE NOTES	MAT'L.: SEE NOTES
		SCALE: N/A	REV.: A0 UNIT: mm PAGE: 2/3

REV.	ECN NO.	CONTENT	DATE	ENGINEER
A0		Initial release	/	ZY



	REEL	CARTON
CONNECTOR (PCS)	600	6000



THIS DOCUMENT IS THE SOLE PROPERTY OF BBJconn Technology Co., Ltd. CORPORATION AND SHOULD NOT BE USED IN WHOLE OR IN PART WITHOUT PRIOR WRITTEN PERMISSION.
PDWG.NO: 0395-1

深圳市步步精科技有限公司

.X: ±0.38 .XX: ±0.25 .XXX: ±0.13	X': ±3° .X': ±2° .XX': ±1°	NAME: TYPE-C 6P 防水 母座 直立式 两脚直插 端子DIP H=6.10 带中夹片 不锈钢外壳 带1.20mm方形防水圈 IPX7 编带
APPD. JM_Zheng		PJ. NO.: 126-225-060002-J2G
CHKD. LYX		SIZE: A4 DRW NO.:
DR. ZY		FINISH: SEE NOTES SCALE: N/A
		MAT'L.: SEE NOTES REV.: A0
		UNIT: mm PAGE: 3/3