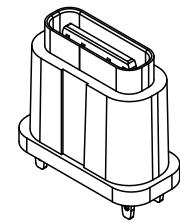
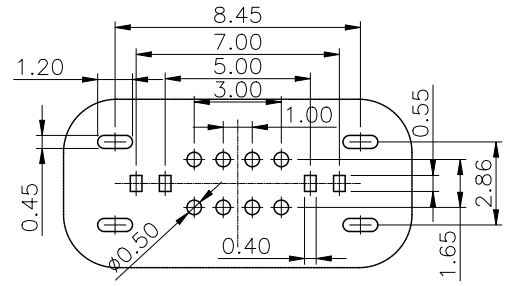
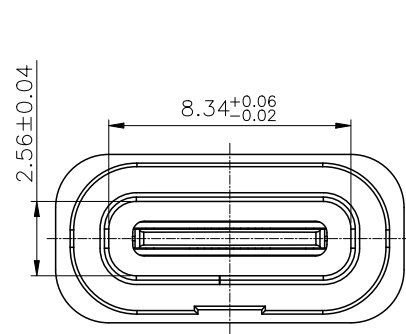
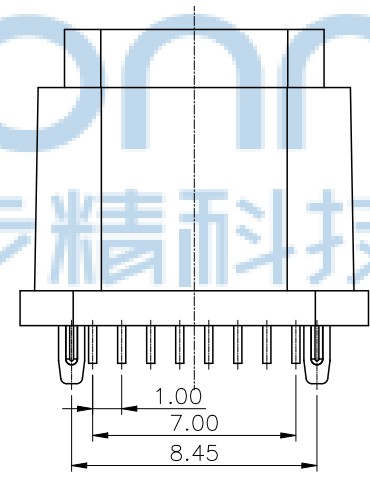
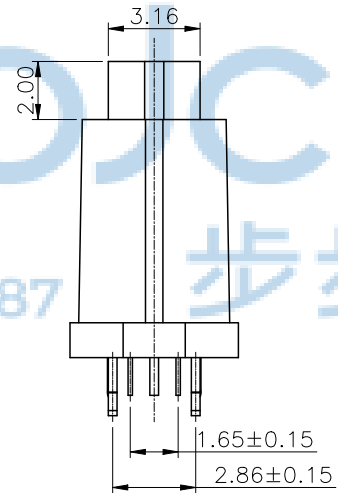
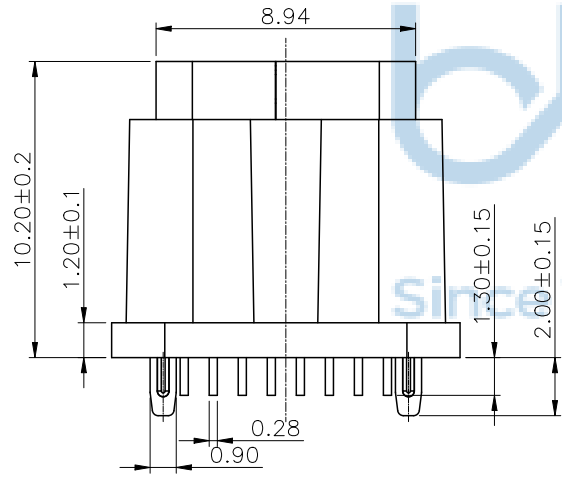


| REV | ECN NO | CONTENT         | DATE | ENGINEER |
|-----|--------|-----------------|------|----------|
| A0  |        | INITIAL RELEASE | /    | SGF      |

- 备注(NOTE):
- 电气特性:
    - 接触区: 接触电阻40mΩ Max, 允许10mΩ变化量. 测试条件:20mv, 100mA下测量.
    - 接触电流: 3A VBUS引脚; 1.25A用于GND引脚; 其他引脚为0.25A.
    - 额定电压: 5V.
    - 耐电压: 100VAC.
    - 绝缘电阻: 至少100兆欧.
  - 机械性能:
    - 插入力: 0.5-2.0kg
    - 拔出力: 0.6-2.04kg
    - 插拔次数: 10000次.
    - 工作环境: -20℃ to +85℃.



RECOMMEND P.C.B LAYOUT(COMPONENT SIDE)  
TOLERANCE FOR PCB LAYOUT IS ±0.05



USB TYPE C PIN ASSIGNMENTS

| PIN NUMBER | SIGNAL NAME | PIN NUMBER | SIGNAL NAME |
|------------|-------------|------------|-------------|
| A1         | GND         | B12        | GND         |
| A4         | VBUS        | B9         | VBUS        |
| A5         | CC1         | B8         | SBU2        |
| A6         | DP1         | B7         | DN2         |
| A7         | DN1         | B6         | DP2         |
| A8         | SBU1        | B5         | CC2         |
| A9         | VBUS        | B4         | VBUS        |
| A12        | GND         | B1         | GND         |

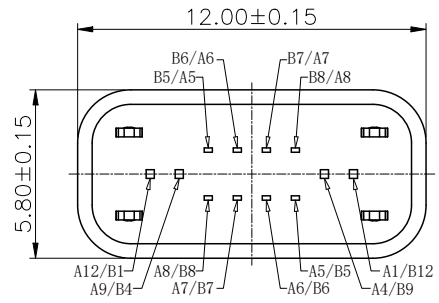


TABLE:

| NO | PART            | Q'TY | Material                        |
|----|-----------------|------|---------------------------------|
| 1  | PLASTIC SHELL   | 1    | LCP UL94 V-0 BLACK              |
| 2  | SHELL           | 1    | STAINLESS STEEL,NI PLATED       |
| 3  | CONTACT         | 16   | COPPER ALLOY,TIN/Au1U/NI PLATED |
| 4  | MD PLATE        | 1    | STAINLESS STEEL,NO PLATING      |
| 5  | MD HOUSING      | 1    | LCP UL94 V-0 BLACK              |
| 6  | SHIELDING PLATE | 1    | STAINLESS STEEL,NI PLATED       |

THIS DOCUMENT IS THE SOLE PROPERTY OF BBJconn Technology Co.,Ltd. Corporation AND SHOULD NOT BE USED IN WHOLE PRIOR WRITTEN PERMISSION.

PDWG NO: 0395-1

**深圳市步步精科技有限公司**

NAME: TYPE-C 16P 防水母座 直立式 带中夹片 四脚插 端子DIP H=10.2 IPX8 编带

PJ NO: 126-225-160002-J2G

SIZE:A4 DRW NO:

FINISH:SEE NOTES MAT'L:SEE NOTES

SCALE:N/A REV:A0 UNIT:mm PAGE:1/2

APPD: JM\_Zheng

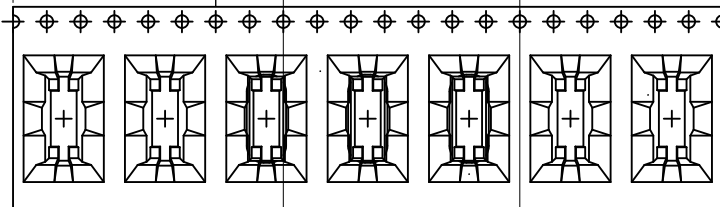
CHKD: LYX

DR: SGF

尺寸公差: .X: ±0.38 .XX: ±0.25 .XXX: ±0.13 X': ±3' .X': ±2' .XX': ±1'

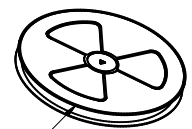
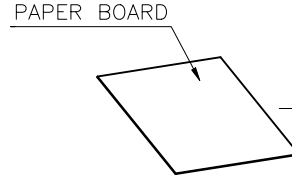
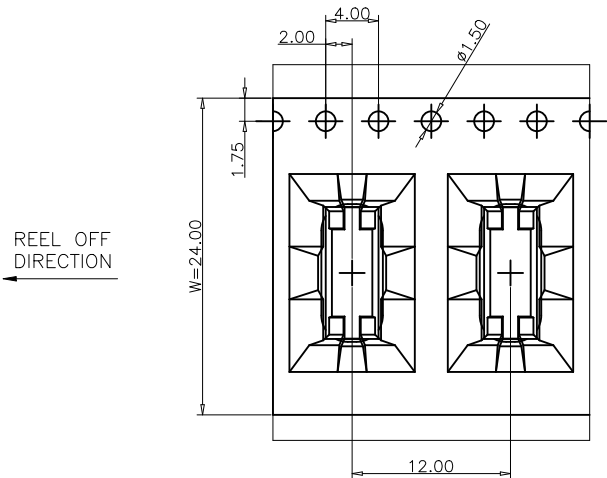
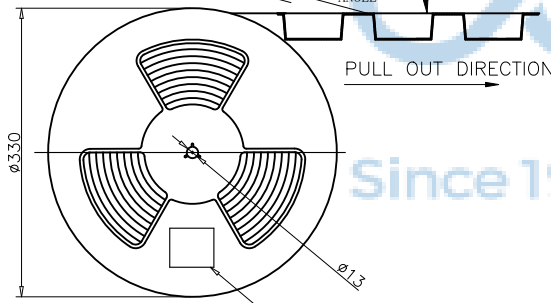
| REV | ECN NO | CONTENT         | DATE | ENGINEER |
|-----|--------|-----------------|------|----------|
| A0  |        | INITIAL RELEASE | /    | SGF      |

REEL OFF SECTION (14 POCKETS) 400PCS PULL OUT DIRECTION (14 POCKETS)



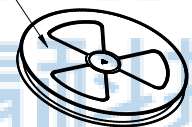
SEE DETAIL X

PEELING DIRECTION 165°~180° PEELING ANGLE

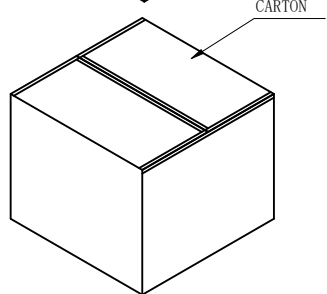
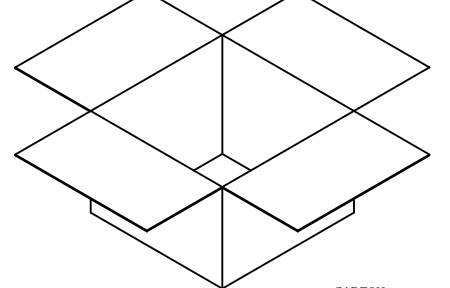
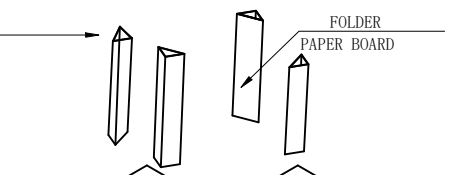


REEL AND TAPE

REEL AND TAPE



PAPER BOARD



|                 | REEL | CARTON |
|-----------------|------|--------|
| CONNECTOR (PCS) | 400  | 4000   |

THIS DOCUMENT IS THE SOLE PROPERTY OF BBJconn Technology Co.,Ltd. Corporation AND SHOULD NOT BE USED IN WHOLE PRIOR WRITTEN PERMISSION.

PDWG NO: 0395-1

**深圳市步步精科技有限公司**  
工程部部长

NAME: TYPE-C 16P 防水母座 直立式 带中夹片 四脚插 端子DIP H=10.2 IPX8 编带

PJ NO: 126-225-160002-J2G

SIZE:A4 | DRW NO:

FINISH:SEE NOTES | MAT'L:SEE NOTES

SCALE:N/A | REV:A0 | UNIT:mm | PAGE:2/2

|      |          |
|------|----------|
| APPD | JM_Zheng |
| CHKD | LYX      |
| DR   | SGF      |