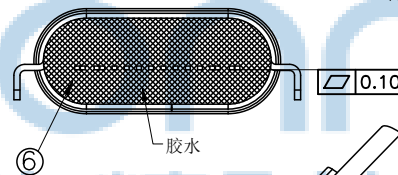
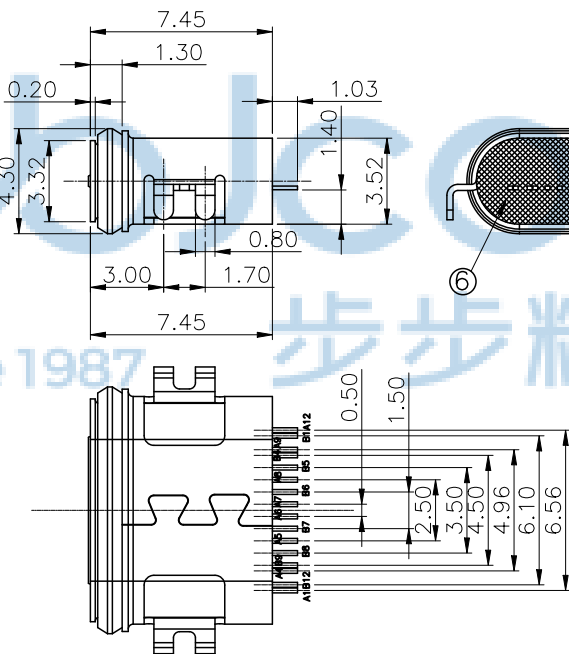
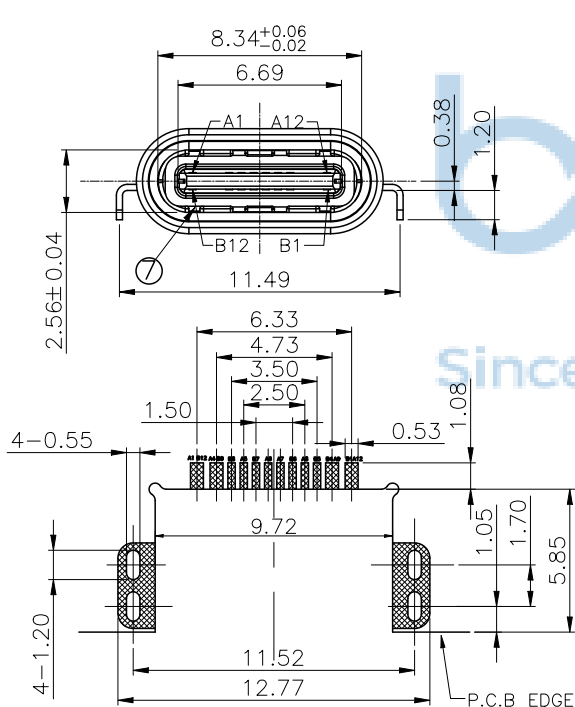
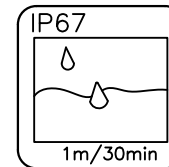


- MECHANICAL PERFORMANCE,
 - INSERTION FORCE: 5~20N.
 - REMOVAL FORCE: 6~20N.
 - DURABILITY: 10000 CYCLES.
- ELECTRICAL PERFORMANCE,
 - CURRENT RATING: 3.0A
VOLTAGE RATING: 12V
 - LLCR:
VBUS & GND PINS AND OTHER PINS: 40mΩ /PIN MAX.
SHIELD: 50mΩ /MAX.
 - INSULATION RESISTANCE: 100MΩ MIN
 - DIELECTRIC WITHSTAND VOLTAGE, AC 100V FOR 1 MINUTE.
- ENVIRONMENTAL PERFORMANCE:
OPERATING TEMPERATURE: -25°C~+85°C.
- IR REFLOW:
THE PEAK TEMPERATURE ON THE BOARD SHALL BE MAINTAINED FOR 10 SECONDS AT 260°C.

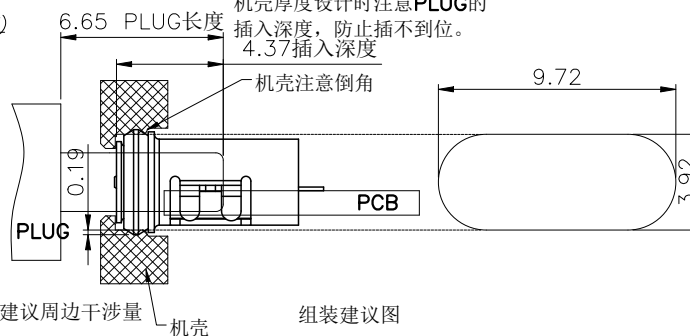


USB TYPE-C PIN ASSIGNMENTS

PIN NUMBER	SIGNAL NAME	PIN NUMBER	SIGNAL NAME
A1	GND	B12	GND
A4	VBUS	B9	VBUS
A5	CC1	B8	SBU2
A6	Dp1	B7	Dn2
A7	Dn1	B6	Dp2
A8	SBU1	B5	CC2
A9	VBUS	B4	VBUS
A12	GND	B1	GND

RECOMMENDED PCB LAYOUT(TOP VIEW)
DEFAULT TOLERANCE: ±0.05

机壳厚度设计时注意PLUG的插入深度, 防止插不到位。
4.37插入深度



胶圈与机壳建议周边干涉量 机壳 组装建议图

NO.	DESCRIPTION	MATERIAL	REMARKS	QTY
7	EMC SHELL	SUS304 1/2H	NO Plated	1PCS
6	Epoxy		BLACK	
5	O RING	SILICA GEL	White	1PCS
4	CONTACT	C7025 Ni 40U" Au3U" Plating	AU On Contact Area And Solder Tail Area, All over Nickel Plated	16SET
3	SHELL	SUS316	NO Plated	1PCS
2	SHELL	SUS304 1/2H	NI Plated	1PCS
1	HOUSING	PA10T Vicnyl R630NH (G.F30%)	BLACK	1PCS
NO.	DESCRIPTION	MATERIAL	REMARKS	QTY

THIS DOCUMENT IS THE SOLE PROPERTY OF BBJconn Technology Co.,Ltd. Corporation AND SHOULD NOT BE USED IN WHOLE PRIOR WRITTEN PERMISSION.

深圳市步步精科技有限公司

.X: ±0.38 X': ±3'
.XX: ±0.25 .X': ±2'
.XXX: ±0.13 .XX': ±1'

NAME: TYPE-C 16P 防水母座 两脚插 端子SMT 沉板1.40 L=7.45
CH=0.35 舌片外漏0.08 带中夹片 带防水圈 IPX7 过IEC 编带

APPD JM_Zheng

PJ NO: 126-221-060003-N6G

CHKD LYX

SIZE:A4 DRW NO:

PDWG NO: 0514-1

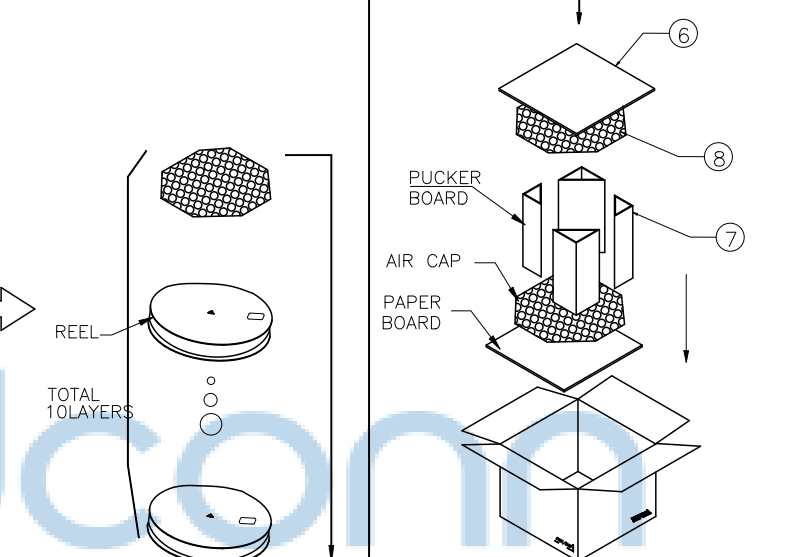
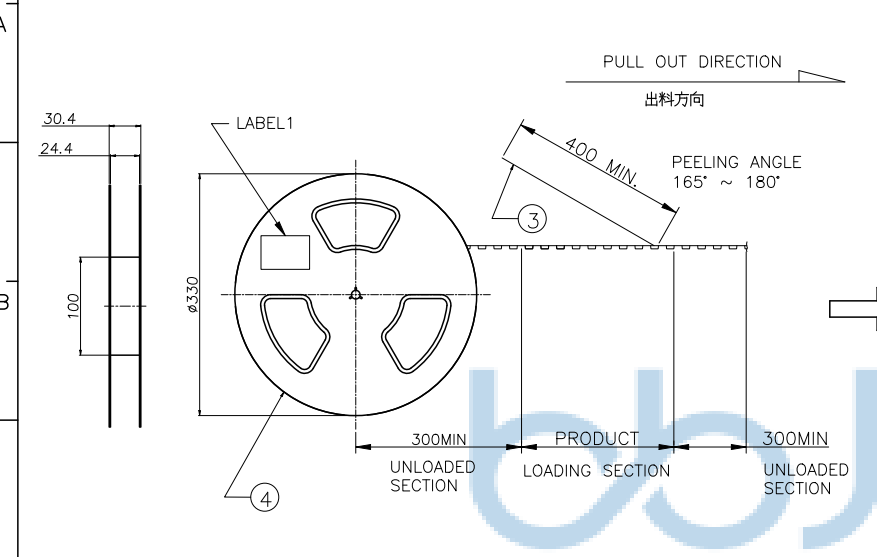
DR SGF

FINISH:SEE NOTES MAT'L:SEE NOTES

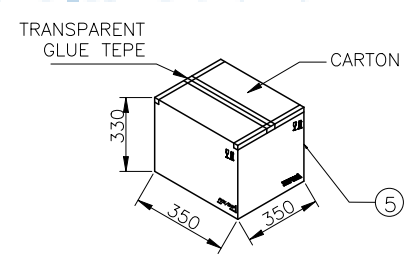
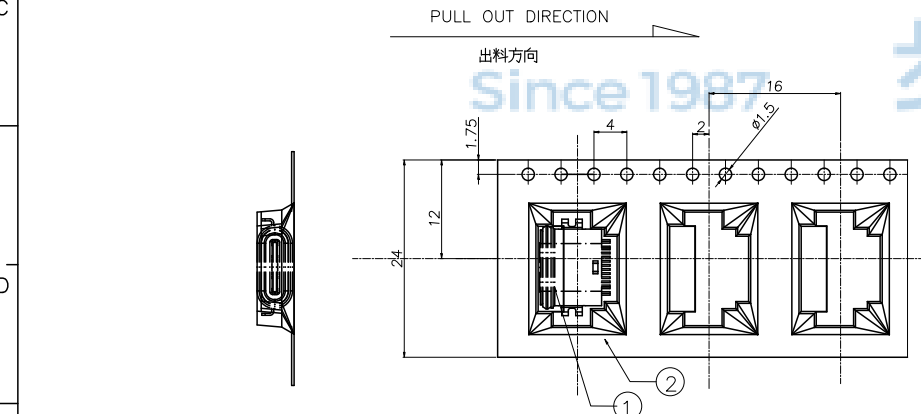
SCALE:N/A REV:AO UNIT:mm PAGE:1/2



REV	ECN NO	CONTENT	DATE	ENGINEER
AO		INITIAL RELEASE	/	SGF



- 备注:
- 包装方式
1-1: 使用半自动包装机, 先将 CARRY TAPE 送入导轨中, 并与 COVER TAPE 贴合在上面, 其中前端20空槽不要放产品, 尾端20空槽不要放产品, 然后将产品如图所示方向依次放入 CARRY TAPE 每个槽放1PCS;
1-2: 用胶带将 CARRY TAPE 压合在一起, 真空包装后在图示指定位置贴上 LABEL;
1-3: 按图示要求将10盘包装好的 REEL 套入防水袋后装入纸箱, 纸箱上下按图示要求加垫硬纸板和海绵垫, 四角折三角垫固定;
1-4: 将装好产品的纸箱按图示要求封箱, 在指定区域贴好 LABEL;
 - 包装数量:
800PCS/REEL;
10REEL (8000PCS)/CARTON.
 - 耐剥离性:
上带引拔力测试规格: 20-150gf
测试条件: 以每分钟300mm速度引拔测试



9	胶圈	白色	8000PCS
8	气泡垫	L=345,W=345,T=10	2PCS
7	纸板 (折三角垫)	L=430,W=330,T=6	4PCS
6	硬纸板	L=330,W=330,T=6	2PCS
5	外箱	L=350,W=350,H=330	1PCS
4	卷盘	PS,BLUE,A=330,B=100,W=32.4	10PCS
3	上带	PET,CLEAR,W=21.3	14.5m
2	载带	PS,BLACK,W=24,T=0.4,P=16	14.5m
1	USB CONN	USB CONN	8000PCS
NO.	NAME	SPEC	Q'TY



THIS DOCUMENT IS THE SOLE PROPERTY OF BBJconn Technology Co.,Ltd. Corporation AND SHOULD NOT BE USED IN WHOLE PRIOR WRITTEN PERMISSION.		深圳市步步精科技有限公司	
.X: ±0.38 .XX: ±0.25 .XXX: ±0.13		X': ±3' .X': ±2' .XX': ±1'	
APPD	JM_Zheng	NAME: TYPE-C 16P 防水母座 两脚插 端子SMT 沉板1.40 L=7.45 CH=0.35 舌片外漏0.08 带中夹片 带防水圈 IPX7 过IEC 编带	
CHKD	LYX	PJ NO: 126-221-060003-N6G	
DR	SGF	SIZE:A4 DRW NO:	
PDWG NO: 0514-1		FINISH:SEE NOTES MAT'L:SEE NOTES	
		SCALE:N/A REV:AO UNIT:mm PAGE:2/2	