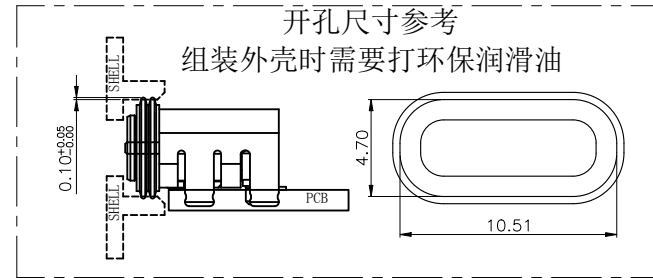
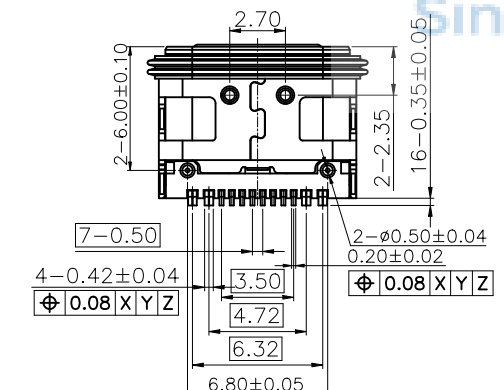
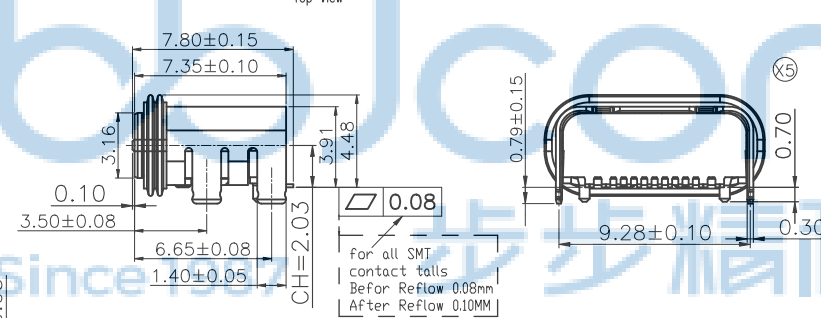
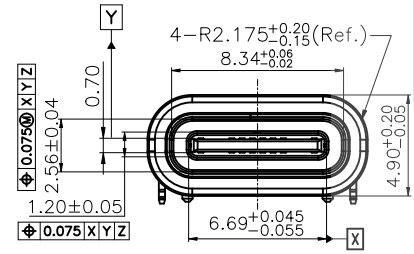
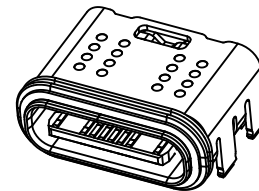
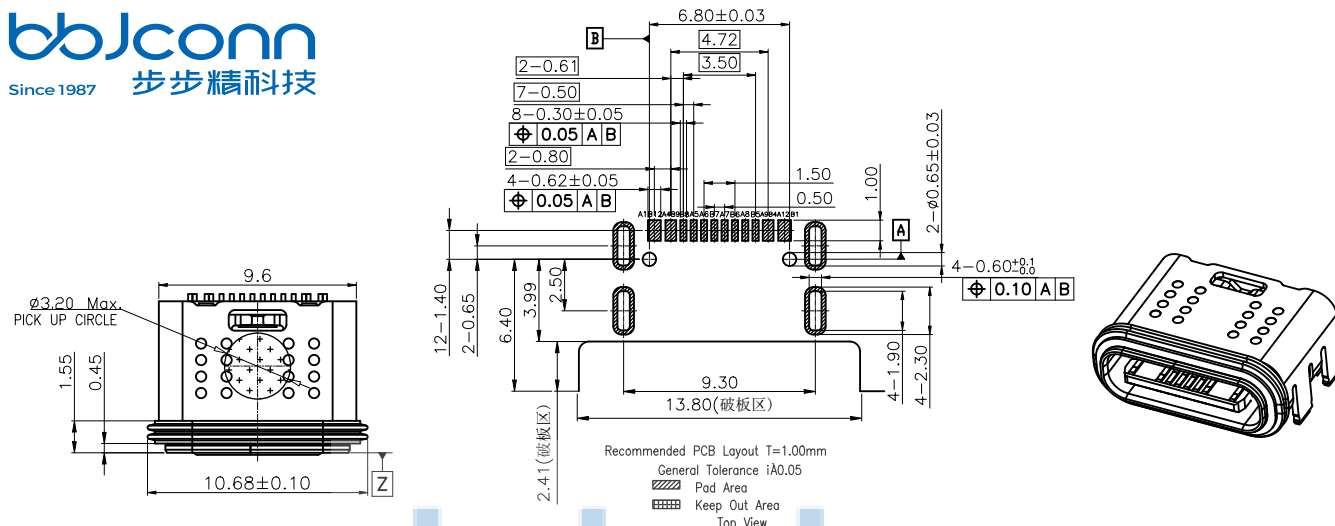


REV.	ECN NO	CONTENT	DATE	ENGINEER
A0		Initial release	/	TSP

Note:

- Material:
 - Housing: Thormplastic, UL94-V0; Colour: Black.
 - Terminal: Copper alloy, Contact: See table A.
 - Shell & Solder :SUS, Plating: Ni.
- Electrical Characteristics:
 - Rating: GND: 5A, VBUS Total: 5A;
 - Contact resistance: 40mΩ Max.; After test add 10 mΩ Max.
 - Electric Strength test: 500VAC, 0.1S, 0.5mA;
 - Insulation test: 500VDC, 0.1S, 100MΩ;
- Mechanical properties:
 - Mating force: 5~20N;
 - Unmating force: 8~20N (Initial), 6~20N (After Durability);
 - Testing Speed: 200±50 Times/H, Test: 10000 times;
- Environmental Characteristics: Oper. Temp.: -55°C ~ +85°C;
- Waterproof Rate: IPX4



PIN DEFINE:

Pin	Signal Name	Description	Mating Sequence	Pin	Signal Name	Description	Mating Sequence
A1	GND	Ground return	First	A12	GND	Ground return	First
A4	Vbus	Bus Power	First	B9	Vbus	Bus Power	First
A5	CA1	Configuration Channel	Second	B8	SBU2	Sideband Use(SBU)	Second
A6	Dp1	Positive half of the USB 2.0 differential pair-Position 1	Second	B7	Dn2	Negative half of the USB 2.0 differential pair-Position 2	Second
A7	Dn1	Negative half of the USB 2.0 differential pair-Position 1	Second	B6	Dp2	Positive half of the USB 2.0 differential pair-Position 2	Second
A8	SBU1	Sideband Use(SBU)	Second	B5	CC2	Configuration Channel	Second
A9	Vbus	Bus Power	First	B4	Vbus	Bus Power	First
A12	GND	Ground return	First	A1	GND	Ground return	First



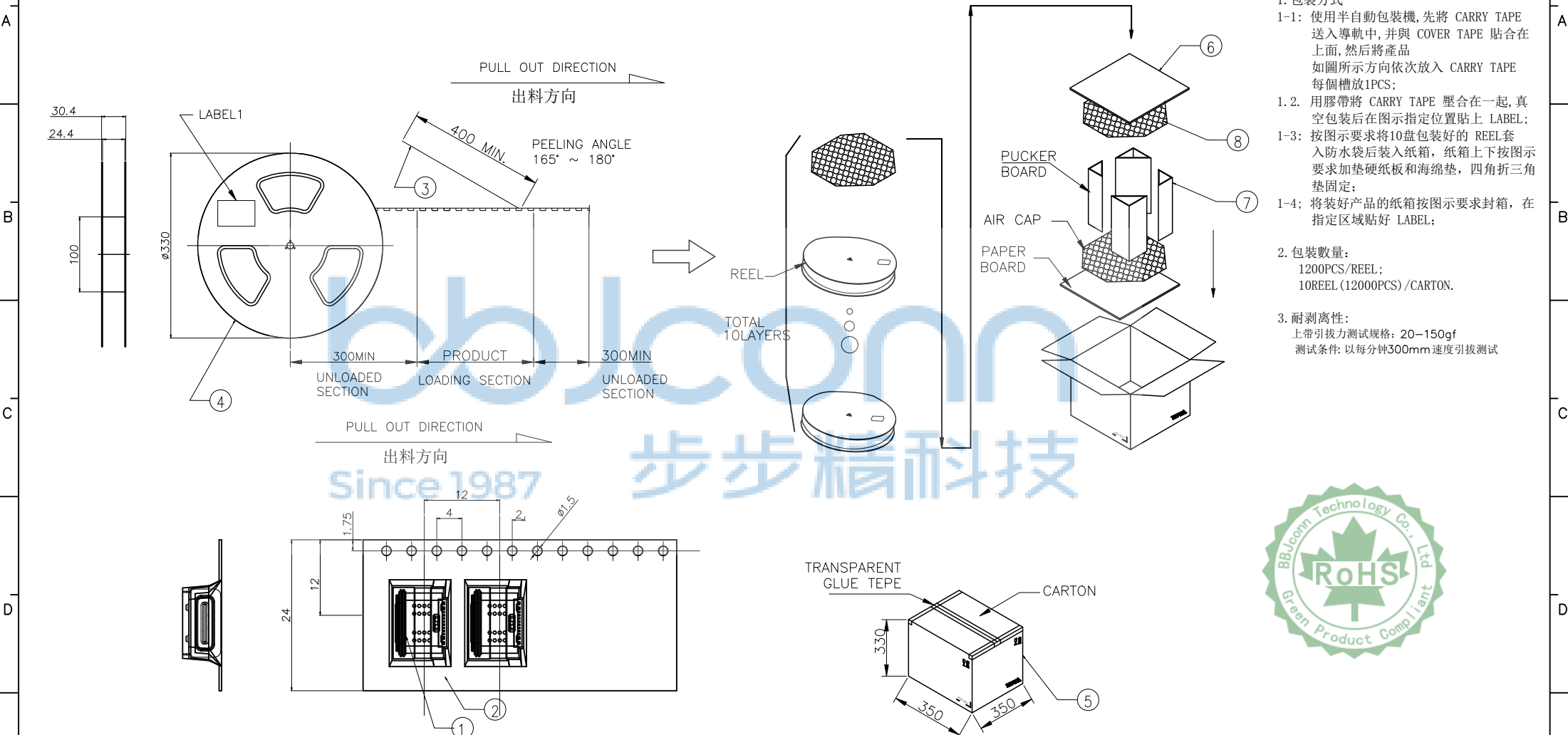
10	GLUE	MT785	WHITE
9	Silicone rubber	RBB	RED
8	Silicone rubber	RBB	BLACK
7	Outer-shell	SUS304	Underplated: Ni 30u"Min.
6	Inner-shell	SUS304	Underplated: Ni 30u"Min.
5	2M	PA Black	UL94V-0
4	1M	PA Black	UL94V-0
3	Mid-plate	SUS301	Cleaned
2	Low contact	Copper Alloy	Underplated: Ni 50u"Min. Contact area: Au3u"Min. Solder tall: Au1Min.
1	Upper contact	Copper Alloy	Solder tall: Au1Min.
ITEM	PART NAME	MATERIAL	REMARK

THIS DOCUMENT IS THE SOLE PROPERTY OF BBJconn Technology Co., Ltd. Corporation AND SHOULD NOT BE USED IN WHOLE OR IN PART WITHOUT PRIOR WRITTEN PERMISSION. PDWG.NO: 0514-1

深圳市步步精科技有限公司

.X: ±0.38 .XX: ±0.25 .XXX: ±0.13	X': ±3' .X': ±2' .XX': ±1'	NAME: TYPE-C 16P 防水母座 L=7.35 CH=2.03 舌片外漏0.10 板上四脚插 带柱 端子SMT IPX4 编带
APPD. JM_Zheng	CHKD. LYX	PJ. NO.: 126-221-160004-N6G
DR. TSP		SIZE: A4 DRW NO.:
		FINISH: SEE NOTES MAT'L.: SEE NOTES
		SCALE: N/A REV.: A0 UNIT: mm PAGE: 1/2

REV.	ECN NO	CONTENT	DATE	ENGINEER
A0		Initial release	/	TSP



- 备注:
- 包装方式
 - 1-1: 使用半自动包装机, 先将 CARRY TAPE 送入导轨中, 并与 COVER TAPE 贴合在上面, 然后将产品如图示方向依次放入 CARRY TAPE 每个槽放1PCS;
 - 1.2. 用胶带将 CARRY TAPE 压合在一起, 真空包装后在图示指定位置贴上 LABEL;
 - 1-3: 按图示要求将10盘包装好的 REEL套入防水袋后装入纸箱, 纸箱上下按图示要求加垫硬纸板和海绵垫, 四角折三角垫固定;
 - 1-4: 将装好产品的纸箱按图示要求封箱, 在指定区域贴好 LABEL;
 - 包装数量:
 - 1200PCS/REEL;
 - 10REEL (12000PCS)/CARTON.
 - 耐剥离性:
 - 上带引拔力测试规格: 20-150gf
 - 测试条件: 以每分钟300mm速度引拔测试



8	气泡垫	L=345,W=345,T=10	2PCS
7	纸板 (折三角垫)	L=430,W=330,T=6	4PCS
6	硬纸板	L=330,W=330,T=6	2PCS
5	外箱	L=350,W=350,H=330	1PCS
4	卷盘	PS,BLUE,A=330,B=100,W=32.4	10PCS
3	上带	PET,CLEAR,W=21.3	11.5m
2	载带	PS,BLACK,W=24,T=0.4,P=12	11.5m
1	UAB CONN	UAB CONN	6000PCS
NO.	NAME	SPEC	Q'TY

THIS DOCUMENT IS THE SOLE PROPERTY OF BBJconn Technology Co.,Ltd. Corporation AND SHOULD NOT BE USED IN WHOLE OR IN PART WITHOUT PRIOR WRITTEN PERMISSION.		深圳市步步精科技有限公司	
.X: ±0.38 .XX: ±0.25 .XXX: ±0.13		X*: ±3* X*: ±2* .XX*: ±1*	
APPD.	JM_Zheng	NAME: TYPE-C 16P 防水母座 L=7.35 CH=2.03 舌片外漏0.10 板上四脚插 带柱 端子SMT IPX4 编带	
CHKD.	LYX	PJ. NO.: 126-221-160004-N6G	
DR.	TSP	SIZE: A4 DRW NO.:	
PDWG.NO: 0514-1		FINISH: SEE NOTES MAT'L.: SEE NOTES	
		SCALE: N/A REV.: A0 UNIT: mm PAGE: 2/2	