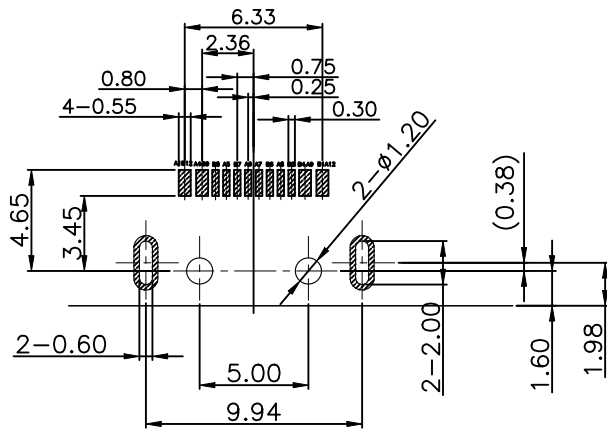
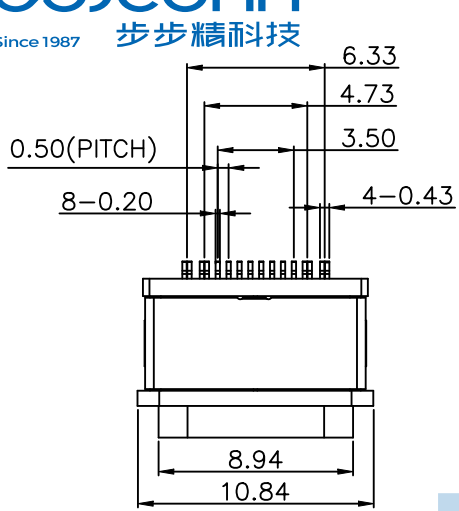


| REV. | ECN NO | CONTENT | DATE | ENGINEER |
|------|--------|---------|------|----------|
| A0 | | | | |



Recommended P.C.B. Layout
Unspecified tolerance: ±0.05
(Top view)

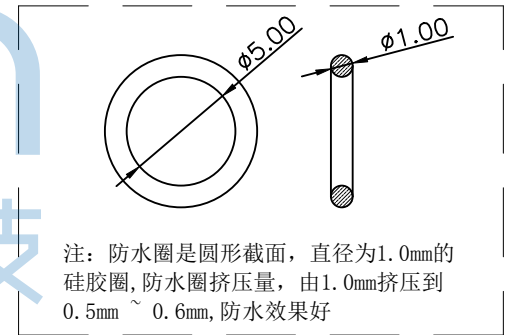
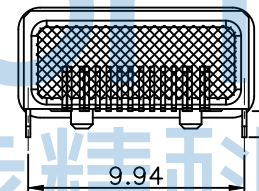
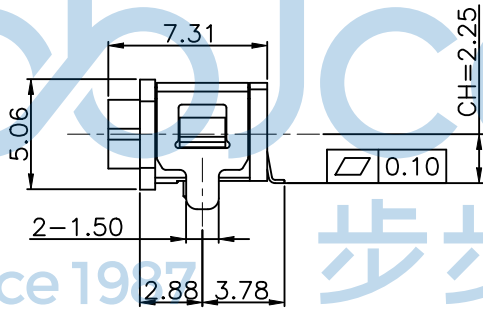
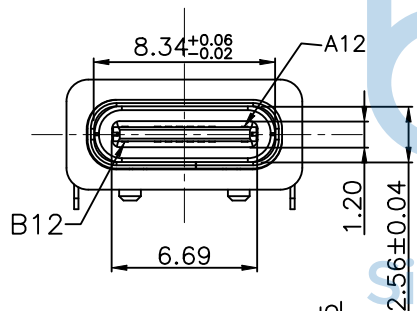


SPECIFICATION:

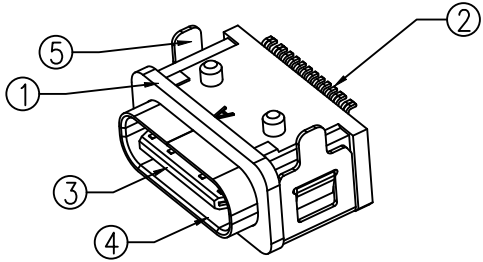
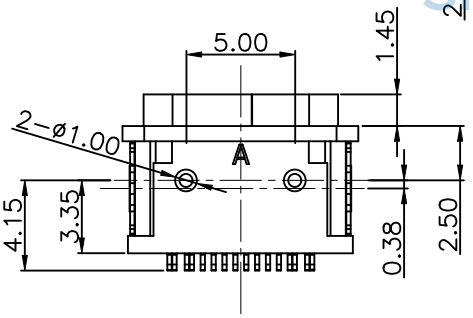
- CURRENT RATING: 3.0A MAX
- DIELECTRIC WITHSTAND VOLTAGE: 100VAC
- TEMPERATURE RANGE: -30 °C ~ 85 °C
- CONTACT RESISTANCE: 40 MILLIONHM MAX
- INSULATION RESISTANCE: 100 MEGOHMS MIN.
- INSERTION FORCE : 5N~20N
- UNMATING FORCE: 8N~20N
- DURABILITY:10,000 CYCLES
- WATER PROOFNESS:THIS PRODUCT IS BASED ON IPX8.

结构设计注意:

成品使用时, 如有洗面奶泡沫、牙膏、洗手液、脏污液体, 请在TYPE-C口外面再设计一层外壳, 保护TYPE-C母座与公头连接的金手指不会被脏污覆盖。



注: 防水圈是圆形截面, 直径为1.0mm的硅胶圈, 防水圈挤压量, 由1.0mm挤压到0.5mm ~ 0.6mm, 防水效果好



| | | | |
|-----|-------------|-----|-------------|
| A1 | GND | B12 | GND |
| A4 | VBUS | B9 | VBUS |
| A5 | CC1 | B8 | SBU2 |
| A6 | DP1 | B7 | DN2 |
| A7 | DN1 | B6 | DP2 |
| A8 | SBU1 | B5 | CC2 |
| A9 | VBUS | B4 | VBUS |
| A12 | GND | B1 | GND |
| PIN | SIGNAL NAME | PIN | SIGNAL NAME |

| 5 | Shell2 | 1 | SUS301 Ni Plating T=0.20mm | Ni:40u~Min; |
|------|-----------|-------|-----------------------------------|-------------|
| 4 | Shell1 | 1 | SUS304 Ni Plating T=0.30mm | Ni:40u~Min; |
| 3 | Housing2 | 1 | PA10T(G.F30%) | |
| 2 | Contact | 16 | C7025 TM03 Au/Ni Plating T=0.15mm | |
| 1 | Housing | 1 | PA10T (G.F30%) | |
| ITEM | PART NAME | Q' TY | FINISH | NOTE |

THIS DOCUMENT IS THE SOLE PROPERTY OF BBJconn Technology Co.,Ltd. Corporation AND SHOULD NOT BE USED IN WHOLE OR IN PART WITHOUT PRIOR WRITTEN PERMISSION.

PDWG.NO: 0514-1

APPD. JM_Zheng

CHKD. LYX

DR. TSP

NAME: TYPE-C 16P 防水母座 板上两脚插 带柱 端子SMT
L=7.31 CH=2.25 带防水圈 IPX8 (USBC-0023IPX8-00)

PJ. NO.: 126-221-160006-N6G

SIZE: A4 DRW NO.:

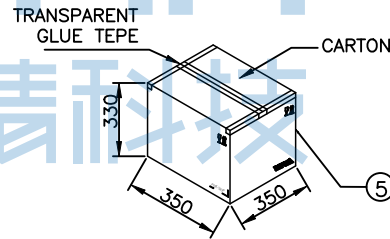
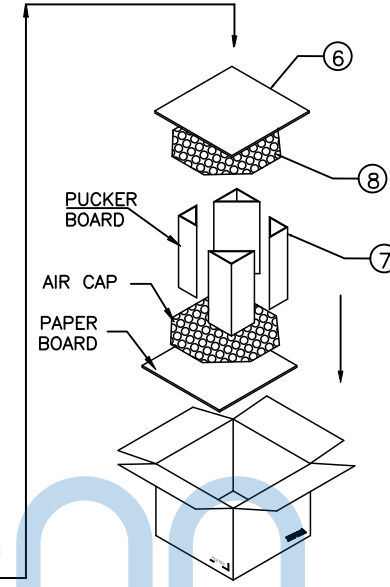
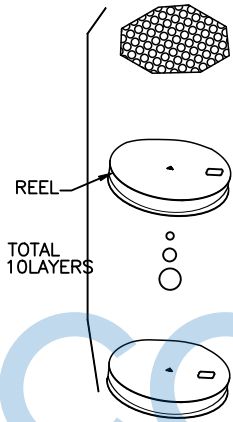
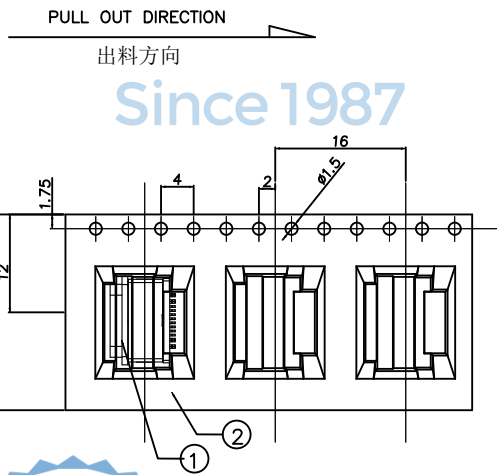
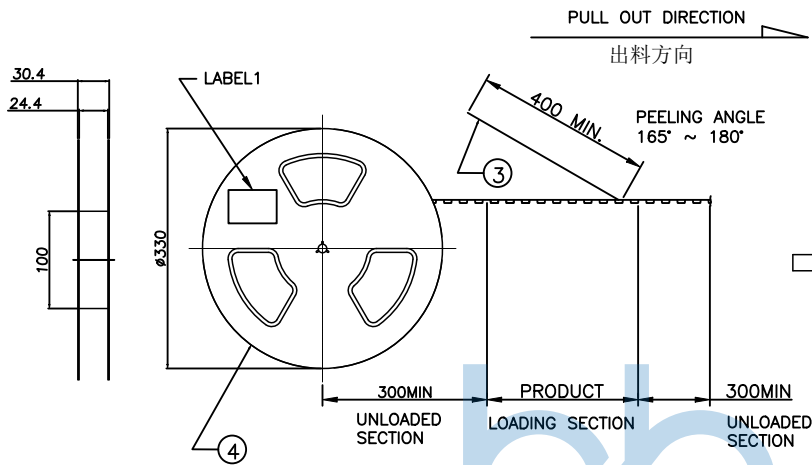
FINISH: SEE NOTES MAT'L.: SEE NOTES

SCALE: N/A REV.: A0 UNIT: mm PAGE: 1/2



深圳市步步精科技有限公司

| REV. | ECN NO | CONTENT | DATE | ENGINEER |
|------|--------|---------|------|----------|
| AO | | | | |



- 备注:
1. 包装方式
1-1: 使用半自动包装机, 先将 CARRY TAPE 送入导轨中, 并与 COVER TAPE 贴合在上面, 其中前端20空槽不要放产品, 尾端20空槽不要放产品, 然后将产品如图示方向依次放入 CARRY TAPE 每个槽放1PCS;
1.2. 用胶带将 CARRY TAPE 压合在一起, 真空包装后在图示指定位置贴上 LABEL;
1-3: 按图示要求将10盘包装好的 REEL 套入防水袋后装入纸箱, 纸箱上下按图示要求加垫硬纸板和海绵垫, 四角折三角垫固定;
1-4: 将装好产品的纸箱按图示要求封箱, 在指定区域贴好 LABEL;
 2. 包装数量:
600PCS/REEL;
10REEL (6000PCS) /CARTON.
 3. 耐剥离性:
上带引拔力测试规格: 20-150gf
测试条件: 以每分钟300mm速度引拔测试



| | | | |
|-----|----------|----------------------------|---------|
| 8 | 气泡垫 | L=345,W=345,T=10 | 2PCS |
| 7 | 纸板(折三角垫) | L=430,W=330,T=6 | 4PCS |
| 6 | 硬纸板 | L=330,W=330,T=6 | 2PCS |
| 5 | 外箱 | L=350,W=350,H=330 | 1PCS |
| 4 | 卷盘 | PS,BLUE,A=330,B=100,W=32.4 | 10PCS |
| 3 | 上带 | PET,CLEAR,W=21.3 | 11.5m |
| 2 | 载带 | PS,BLACK,W=24,T=0.4,P=16 | 11.5m |
| 1 | UAB CONN | UAB CONN | 6000PCS |
| NO. | NAME | SPEC | Q'TY |



THIS DOCUMENT IS THE SOLE PROPERTY OF BBJconn Technology Co., Ltd. Corporation AND SHOULD NOT BE USED IN WHOLE OR IN PART WITHOUT PRIOR WRITTEN PERMISSION.

PDWG,NO: 0514-1

深圳市步步精科技有限公司

NAME: TYPE-C 16P 防水母座 板上两脚插 带柱 端子SMT
L=7.31 CH=2.25 带防水圈 IPX8 (USBC-00231PX8-00)

APPD. JM_Zheng
CHKD. LYX
DR. TSP

PJ. NO.: 126-221-160006-N6G
SIZE: A4 | DRW NO.:
FINISH: SEE NOTES | MAT'L.: SEE NOTES
SCALE: N/A | REV.: AO | UNIT: mm | PAGE: 2/2