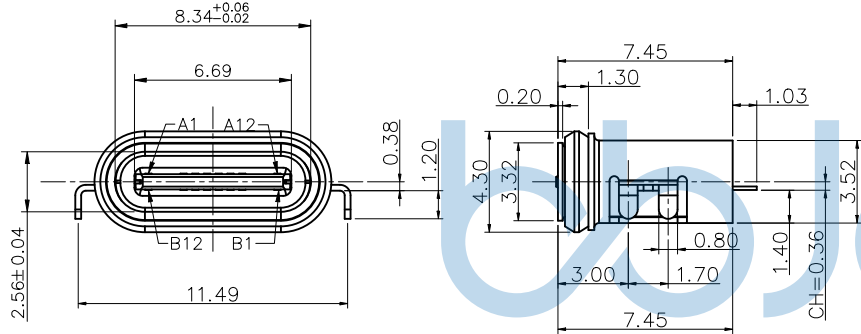
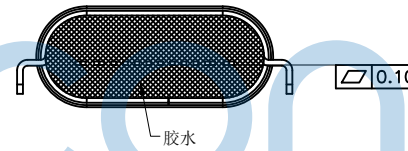


RECOMMENDED PCB LAYOUT(TOP VIEW)
DEFAULT TOLERANCE:±0.05

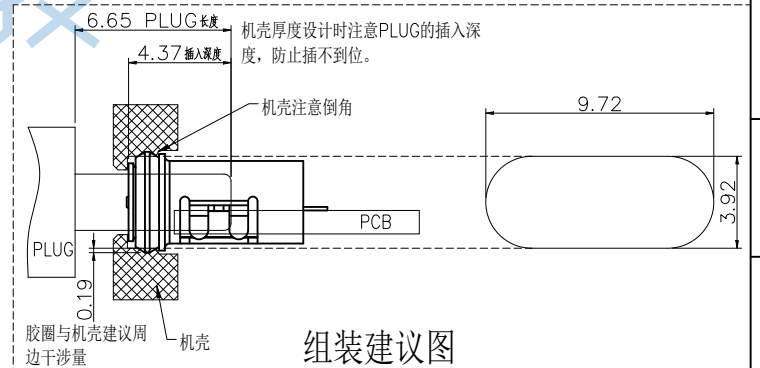
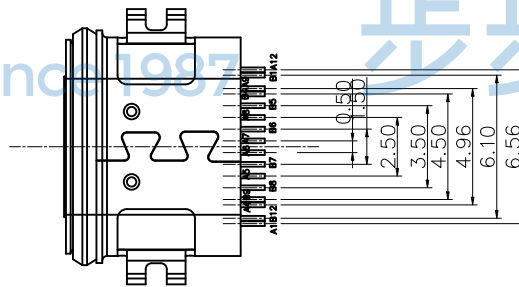


结构设计注意:

成品使用时, 如有洗面奶泡沫、牙膏、洗手液、脏污液体, 请在TYPE-C口外面再设计一层外壳, 保护TYPE-C母座与公头连接的金属不会被脏污覆盖。

SHELL	CONTACT	SOLDER	PAKING	SHELL MATERIAL
NI	3u" Au	Fu" Au	REEL	SUS

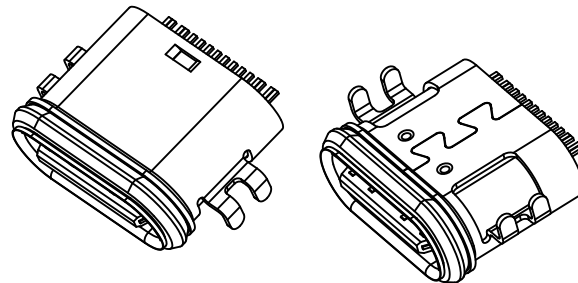
- MATERIAL SPECIFICATION:
 - HOUSING: HIGH TEMPERATURE RESISTANT PLASTIC, UL94 V-0.
 - CONTACTS: High Conductivity Copper
 - MID PLATE: STAINLESS STEEL
 - FRONT SHELL: STAINLESS STEEL
- MECHANICAL PERFORMANCE,
 - INSERTION FORCE: 5~20N.
 - REMOVAL FORCE: 8~20N.
 - DURABILITY: 10000 CYCLES.
- ELECTRICAL PERFORMANCE,
 - CURRENT RATING: 3.0A
VOLTAGE RATING: 12V
 - LLCR:
VBUS & GND PINS AND OTHER PINS: 40mA/PIN MAX.
SHIELD: 50mA/MAX.
 - INSULATION RESISTANCE: 100MΩ MIN
 - DIELECTRIC WITHSTAND VOLTAGE, AC 100V FOR 1 MINUTE.
- ENVIRONMENTAL PERFORMANCE:
OPERATING TEMPERATURE: -25°C~+85°C.
- IR REFLOW:
THE PEAK TEMPERATURE ON THE BOARD SHALL BE MAINTAINED FOR 10 SECONDS AT 260°C.



组装建议图

USB TYPE-C PIN ASSIGNMENTS

PIN NUMBER	SIGNAL NAME	PIN NUMBER	SIGNAL NAME
A1	GND	B12	GND
A4	VBUS	B9	VBUS
A5	CC1	B8	SBU2
A6	Dp1	B7	Dn2
A7	Dn1	B6	Dp2
A8	SBU1	B5	CC2
A9	VBUS	B4	VBUS
A12	GND	B1	GND



THIS DOCUMENT IS THE SOLE PROPERTY OF BBJconn Technology Co., Ltd. Corporation AND SHOULD NOT BE USED IN WHOLE OR IN PART WITHOUT PRIOR WRITTEN PERMISSION. PDWG.NO: 0514-1

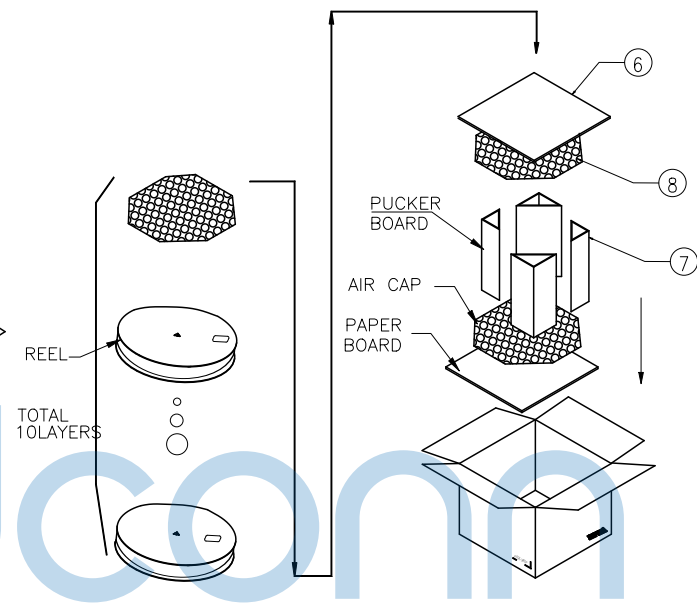
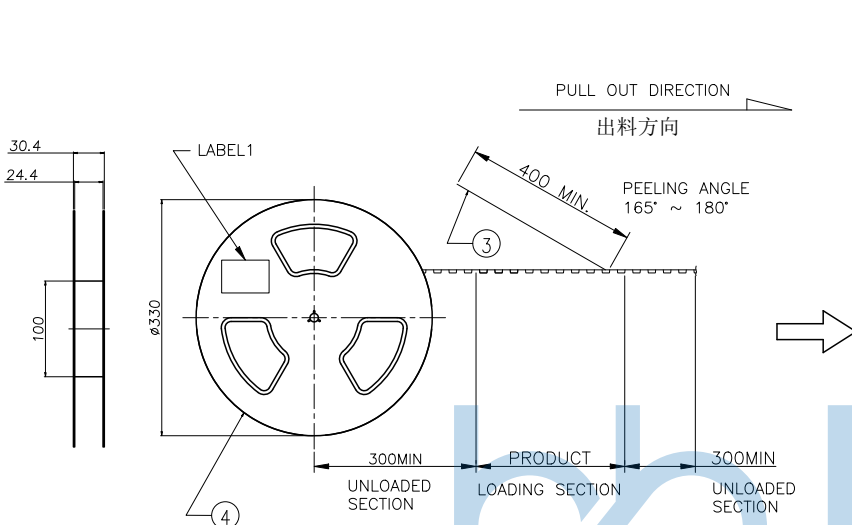
深圳市步步精科技有限公司

NAME: TYPE-C 16P 防水母座 两脚插 端子SMT 沉板1.40 L=7.45
CH=0.36 舌片外漏0.08 带防水圈 IPX7

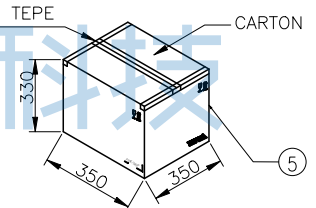
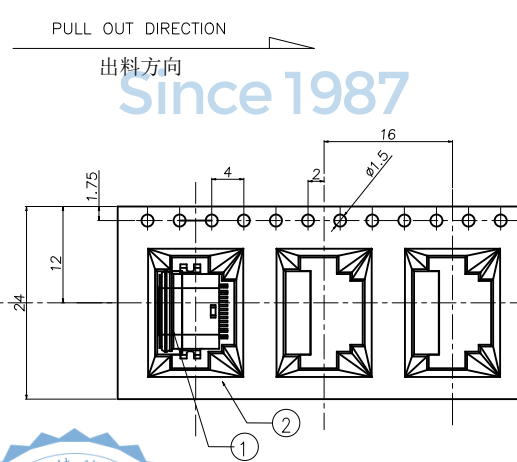
APPD. JM_Zheng
CHKD. LYX
DR. TSP

PJ. NO.: 126-221-160010-N6G
SIZE: A4 DRW NO.:
FINISH: SEE NOTES MAT'L.: SEE NOTES
SCALE: N/A REV.: A0 UNIT: mm PAGE: 1/2

REV.	ECN NO	CONTENT	DATE	ENGINEER
AO				



备注:
 1. 包装方式
 1-1: 使用半自动包装机, 先将 CARRY TAPE 送入导轨中, 并与 COVER TAPE 贴合在上面, 其中前端20空槽不要放产品, 尾部20空槽不要放产品, 然后将产品如图所示方向依次放入 CARRY TAPE 每个槽放1PCS;
 1.2. 用胶带将 CARRY TAPE 压合在一起, 真空包装后在图示指定位置贴上 LABEL;
 1-3: 按图示要求将10盘包装好的 REEL 套入防水袋后装入纸箱, 纸箱上下按图示要求加垫硬纸板和海绵垫, 四角折三角垫固定;
 1-4: 将装好产品的纸箱按图示要求封箱, 在指定区域贴好 LABEL;
 2. 包装数量:
 800PCS/REEL;
 10REEL (8000PCS) /CARTON.
 3. 耐剥离性:
 上带引拔力测试规格: 20-150gf
 测试条件: 以每分钟300mm速度引拔测试



8	气泡垫	L=345,W=345,T=10	2PCS
7	纸板(折三角垫)	L=430,W=330,T=6	4PCS
6	硬纸板	L=330,W=330,T=6	2PCS
5	外箱	L=350,W=350,H=330	1PCS
4	卷盘	PS,BLUE,A=330,B=100,W=32.4	10PCS
3	上带	PET,CLEAR,W=21.3	14.5m
2	载带	PS,BLACK,W=24,T=0.4,P=16	14.5m
1	UAB CONN	UAB CONN	8000PCS
NO.	NAME	SPEC	Q'TY

THIS DOCUMENT IS THE SOLE PROPERTY OF BBJconn Technology Co.,Ltd. Corporation AND SHOULD NOT BE USED IN WHOLE OR IN PART WITHOUT PRIOR WRITTEN PERMISSION.

PDWG:NO: 0514-1

深圳市步步精科技有限公司

NAME:TYPE-C 16P 防水母座 两脚插 端子SMT 沉板1.40 L=7.45 CH=0.36 舌片外漏0.08 带防水圈 IPX7

APPD. JM_Zheng

CHKD. LYX

DR. TSP

PJ. NO.: 126-221-160010-N6G

SIZE: A4 DRW NO.:

FINISH: SEE NOTES MAT'L.: SEE NOTES

SCALE: N/A REV.: AO UNIT: mm PAGE: 2/2