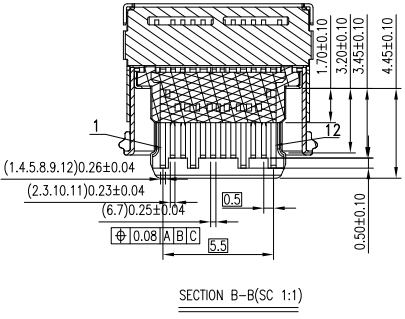
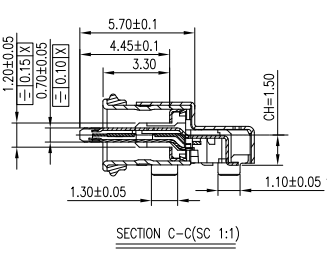
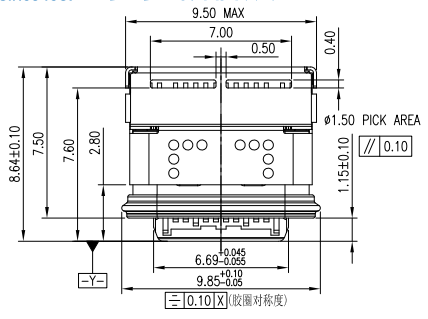
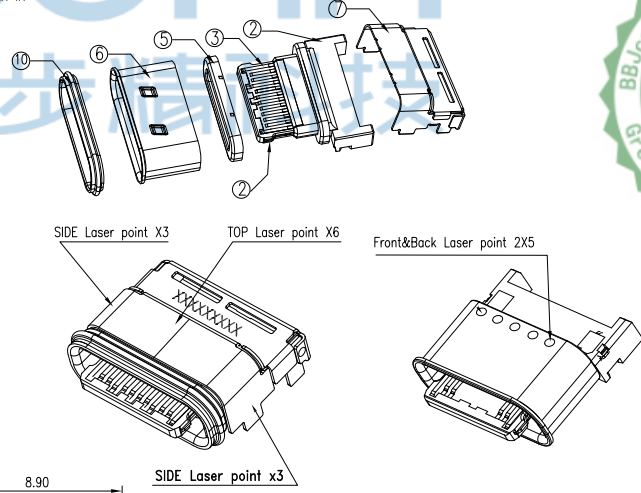
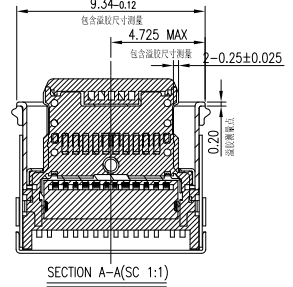
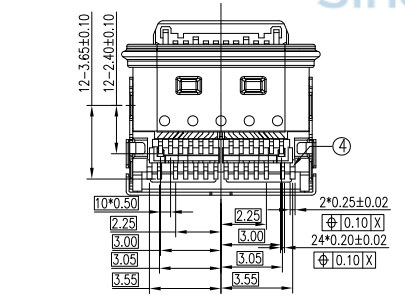
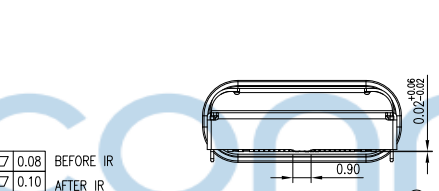
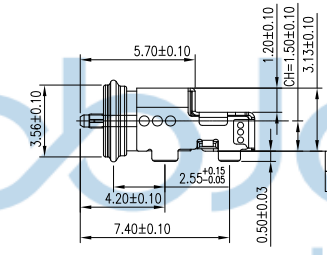
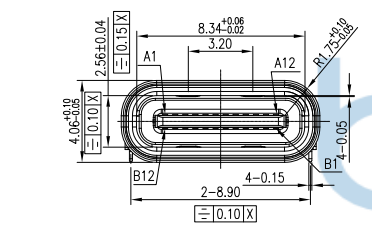


REV.	DESCRIPTION	NAME	DATE
A	NEWS ISSUE		

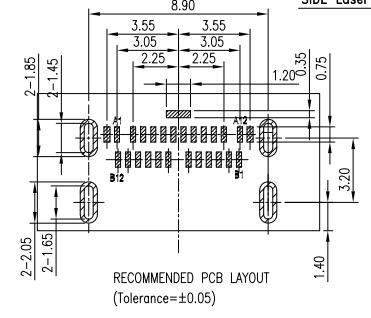


NOTES:  
特性: Specifications  
电器 Electrical:  
接触阻抗: 端子间初始阻抗不大于 30MΩ, 耐久测试后不大于50MΩ.  
耐电压: AC100V 60S/MIN  
绝缘阻抗: 1000 MΩ MIN  
额定电流: 3A MAX  
额定电压: 12V DC MAX  
使用环境温度: -40℃~80℃  
储存环境温度: -40℃~60℃



PIN ASSIGNMENTS

No.	NAME	DESCRIPTION	No.	NAME	DESCRIPTION
A1	GND	GROUND RETURN	B12	GND	GROUND RETURN
A4	VBUS	BUS POWER	B9	VBUS	BUS POWER
A5	CC1	CONFIGURATION CHANNEL	B8	SBU2	SIDEBAND USE(SBU)
A6	DP1	POSITIVE HALF OF USB2.0 DIFFERENTIAL PAIR-POSITION1	B7	DN2	NEGATIVE HALF OF USB2.0 DIFFERENTIAL PAIR-POSITION2
A7	DN1	NEGATIVE HALF OF USB2.0 DIFFERENTIAL PAIR-POSITION1	B6	DP2	POSITIVE HALF OF USB2.0 DIFFERENTIAL PAIR-POSITION2
A8	SBU1	SIDEBAND USE(SBU)	B5	CC2	CONFIGURATION CHANNEL
A9	VBUS	BUS POWER	B4	VBUS	BUS POWER
A12	GND	GROUND RETURN	B1	GND	GROUND RETURN



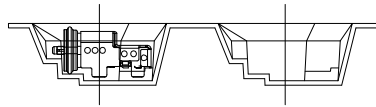
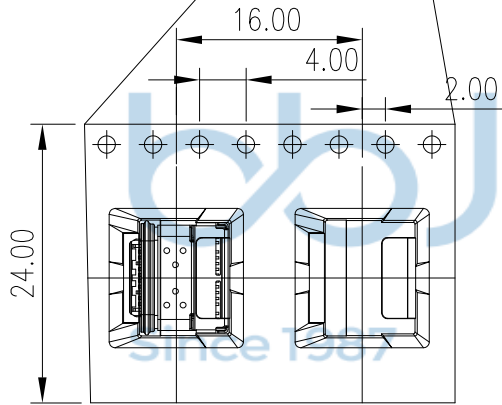
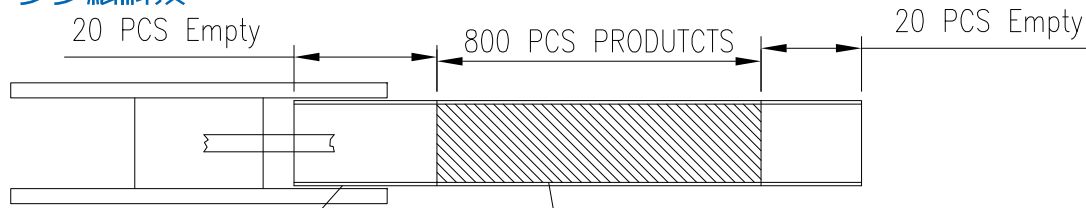
TOLERANCE UNSPECIFIED	
X.	±0.50 X° ±2°
.X	±0.30 .X° ±1°
.XX	±0.20 .XX° ±0.5°
.XXX	±0.05

深圳市步步精科技有限公司

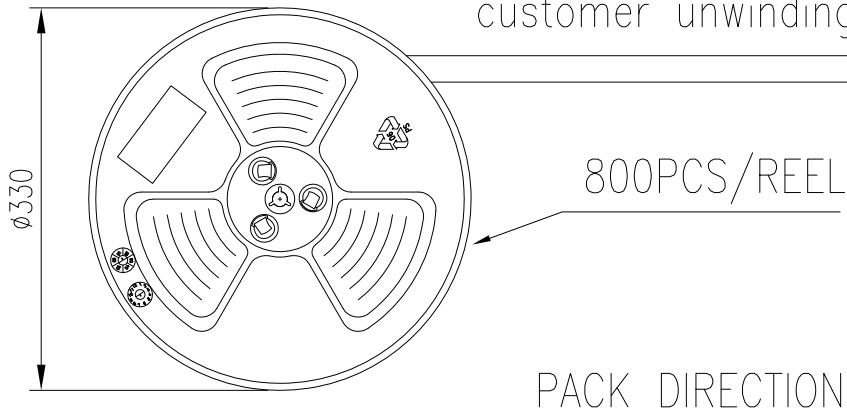
TITLE: TYPE-C 24P 防水母座 板上四脚插 L=7.50 CH=1.50 舌片外漏1.15 端子双排SMT IP67



DRAWN/ DATE	设计 TSP	SIZE: A4	UNIT: MM.	PART. NO: 126-221-240001-N6G
CHECKED/ DATE	审核 LYX	SCALE: 1:1	PROJECTION	REV.: 版本
APPROVED/ DATE	核准 LJP	DWG. PATH	0514-1	SHEET: 页码

REV.	DESCRIPTION	NAME	DATE
A	NEWS ISSUE		



customer unwinding direction



TOLERANCE UNSPECIFIED		 深圳市步步精科技有限公司		
X.	$\pm 0.50$ X. <sup>°</sup> $\pm 2^{\circ}$			
.X	$\pm 0.30$ .X. <sup>°</sup> $\pm 1^{\circ}$	TITLE: TYPE-C 24P 防水母座 板上四脚插 L=7.50 CH=1.50 舌片外漏1.15 端子双排SMT IP67		
.XX	$\pm 0.20$ .XX. <sup>°</sup> $\pm 0.5^{\circ}$	SIZE: A4	UNIT: MM.	PART. NO: 126-221-240001-N6G
.XXX	$\pm 0.05$	CHECKED/ DATE	SCALE: 1:1	PROJECTION 
		DRAWN/ DATE	DWG. PATH	REV.: 版本
		APPROVED/ DATE		SHEET: 页码
				0514-1