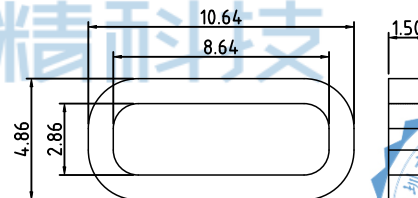
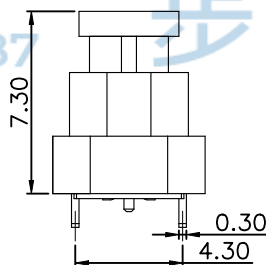
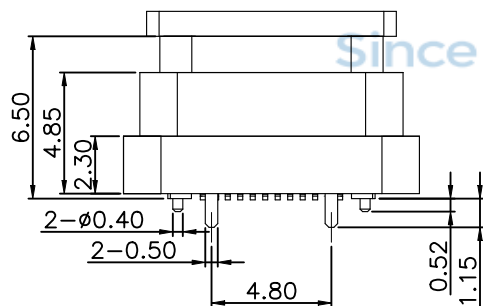
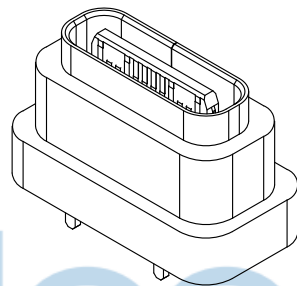
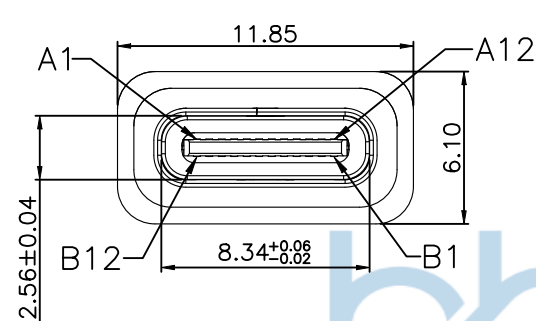


REV	ECN NO	CONTENT	DATE	ENGINEER
A0		INITIAL RELEASE	/	SGF

Technical Parameter:  
SPECIFICATION:

1. CURRENT RATING: 3.0A MAX
2. DIELECTRIC WITHSTAND VOLTAGE: 100VAC
3. TEMPERATURE RANGE: -30 °C ~ 85 °C
4. CONTACT RESISTANCE: 40 MILLIONHM MAX
5. INSULATION RESISTANCE: 100 MEGOHMS MIN.
6. INSERTION FORCE : 5N~20N
7. UNMATING FORCE: 8N~20N
8. DURABILITY:10,000 CYCLES

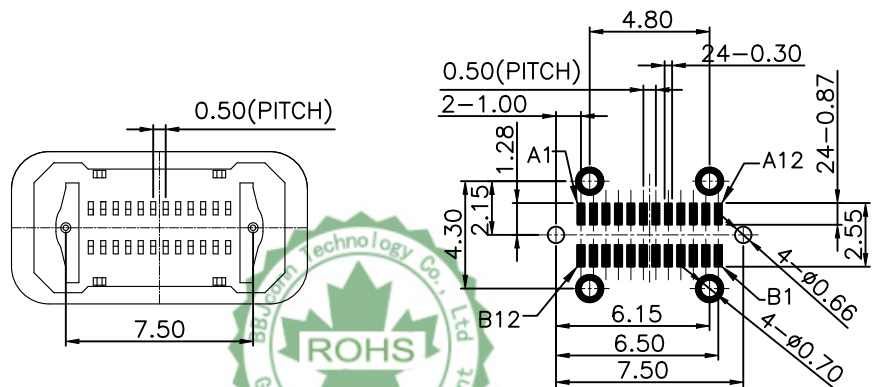


建议胶圈尺寸

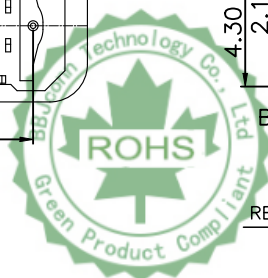


PIN NUMBER	SIGNAL NAME	PIN NUMBER	SIGNAL NAME
A1	GND	B12	GND
A2	SSTXp1	B11	SSRXp1
A3	SSTXn1	B10	SSRXn1
A4	VBUS	B9	VBUS
A5	CC1	B8	SBU2
A6	Dp1	B7	Dn2
A7	Dn1	B6	Dp2
A8	SBU1	B5	CC2
A9	VBUS	B4	VBUS
A10	SSRXn2	B3	SSTXn2
A11	SSRXp2	B2	SSTXp2
A12	GND	B1	GND

NO.	DESCRIPTION	MATERIAL	REMARKS	QTY
6	WATERPROOF RING	SILICONE RUBBER	BLACK	1PCS
5	SHELL	STAINLESS STEEL	NI Plated	1PCS
4	SHIELDING PLATE	STAINLESS STEEL	NI Plated	1PCS
3	CONTACT	COPPER ALLOY	Au/NI Plated	1SET
2	SHELL HOUSING	HIGH TEMPERATURE PLASTIC	BLACK	1PCS
1	HOUSING	HIGH TEMPERATURE PLASTIC	BLACK	1PCS



RECOMMENDED P.C.B. LAYOUT (T:1.00mm)  
TOLERANCE UNSPECIFIED ±0.05mm



THIS DOCUMENT IS THE SOLE PROPERTY OF BBJconn Technology Co.,Ltd. Corporation AND SHOULD NOT BE USED IN WHOLE PRIOR WRITTEN PERMISSION.

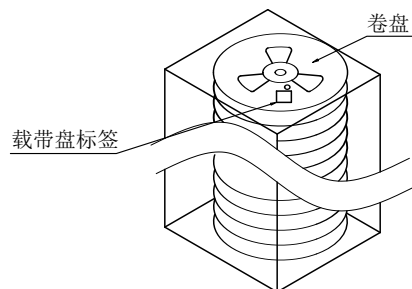
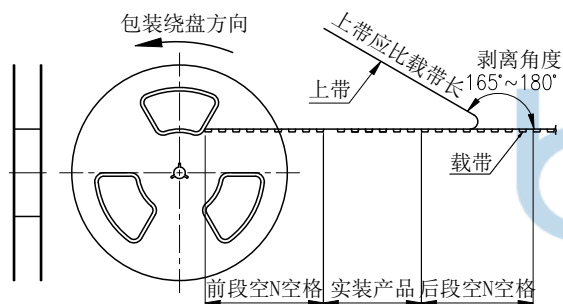
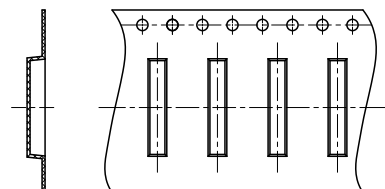
PDWG NO:0514-1

APPD: JM\_Zheng  
CHKD: Tang  
DR: LYX

NAME: TYPE-C 24P 防水母座 直立式 H=6.5 带柱 SMT IPX7 方形防水圈  
PJ NO: 126-224-240001-N6G  
SIZE:A4  
FINISH:SEE NOTES  
SCALE:N/A

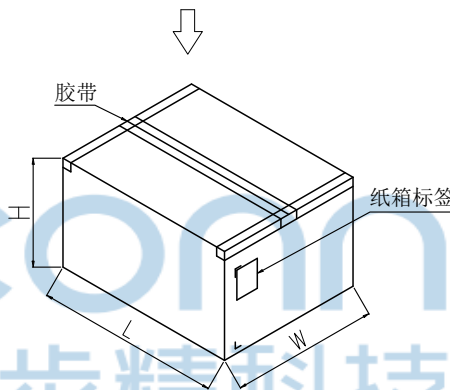
深 圳 市 步 步 精 科 技 有 限 公 司  
REMARKS: 直立式 H=6.5 带柱 SMT IPX7 方形防水圈  
DRW NO:  
MAT'L:SEE NOTES  
REV:A0  
UNIT:mm  
PAGE:1/2

REV.	ECN NO	CONTENT	DATE	ENGINEER
A0		Initial release	/	



备注:

- 1、包装数量: 500/PCS/卷, 5卷/箱。
- 2、包装袋长度: 每卷前后各空10-20个空格, 中间包装。
- 3、材质:  
载体: 聚丙烯 (PS), 阻抗 $10^{6-9} \Omega$   
上带: 聚乙烯 (PET), 阻抗 $10^{6-11} \Omega$   
卷盘: 聚苯乙烯。



纸箱规格: W345\*L345\*H350MM



THIS DOCUMENT IS THE SOLE PROPERTY OF BBJconn Technology Co., Ltd. Corporation AND SHOULD NOT BE USED IN WHOLE OR IN PART WITHOUT PRIOR WRITTEN PERMISSION. PDWG,NO: 0514-1	深圳市步步精科技有限公司 .X: $\pm 0.38$ .X': $\pm 3'$ .XX: $\pm 0.25$ .X': $\pm 2'$ .XXX: $\pm 0.13$ .XX': $\pm 1'$		NAME: TYPE-C 24P 防水母座 直立式 H=6.5 带柱 SMT IPX7 方形防水圈	
			APPD. JM_Zheng PJ. NO.: 126-224-240001-N6G	
	CHKD. LYX SIZE: A4   DRW NO.:		FINISH: SEE NOTES    MAT'L.: SEE NOTES	
	DR.		SCALE: N/A    REV.: A0    UNIT: mm    PAGE: 2/2	