

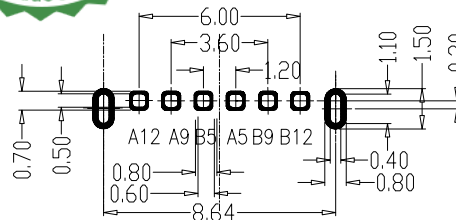
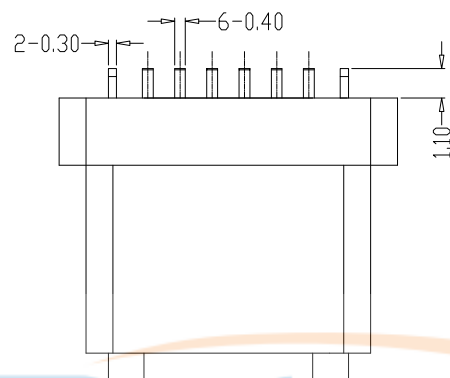


REV.	DESCRIPTION	NAME	DATE
A	NEWS ISSUE		

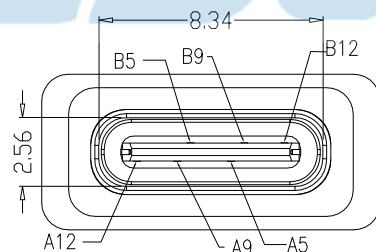
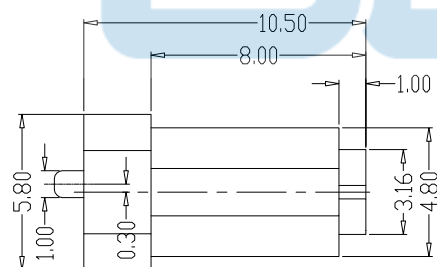
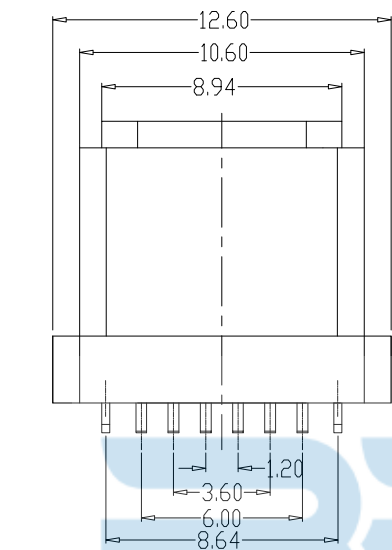
NOTES:

SPECIFICATION:

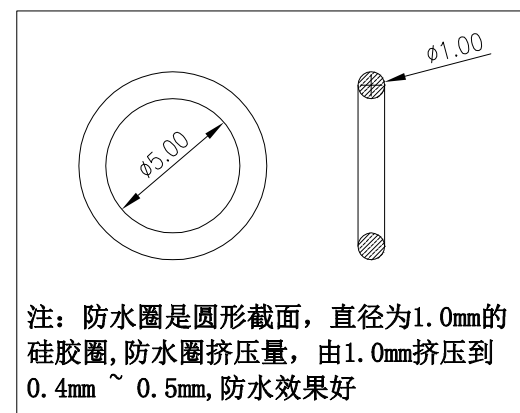
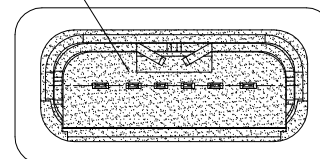
- CURRENT RATING: 3.0A MAX
- VOLTAGE: 100 VAC
- TEMPERATURE RANGE: -40 °C ~ 85 °C
- CONTACT RESISTANCE: 40 MILLIONHM MAX
- INSULATION RESISTANCE: 100 MEGOHMS MIN.
- INSERTION FORCE : 5N~20N
- UNMATING FORCE: 8N~20N
- DURABILITY: 10,000 CYCLES
- WATER PROOFNESS: THIS PRODUCT IS BASED ON IPX7.



TOLERANCE UNSPECIFIED ±0.05mm



此处点胶



注：防水圈是圆形截面，直径为1.0mm的硅胶圈，防水圈挤压量，由1.0mm挤压到0.4mm ~ 0.5mm，防水效果好

加防水圈示意图

NO.	DESCRIPTION	MATERIAL	REMARKS	QTY
5	防水圈	硅胶	BLACK	1PCS
4	SHELL	STAINLESS STEEL	Ni/Cu Plated	1PCS
3	SHELL	PAIOT	UL 94V-0 BLACK	1PCS
2	CONTACT	BRASS	Au Plated	1SET
1	MD	HIGH TEMPERATURE PLASTIC	BLACK	1PCS

A5	CC1	B12	GND
A9	VBUS	B9	VBUS
A12	GND	B5	CC2
PIN	SIGNAL NAME	PIN	SIGNAL NAME



TOLERANCE UNSPECIFIED

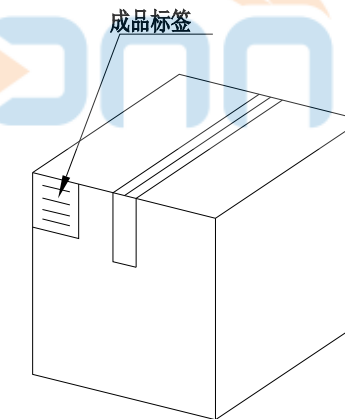
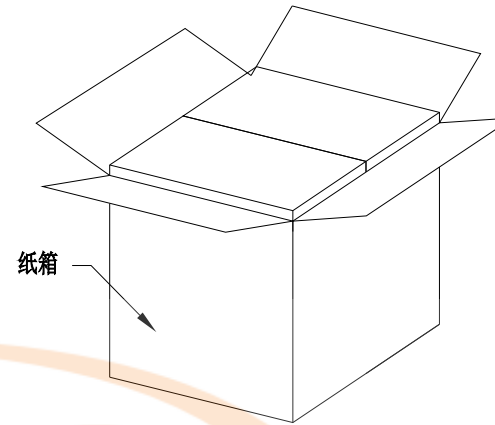
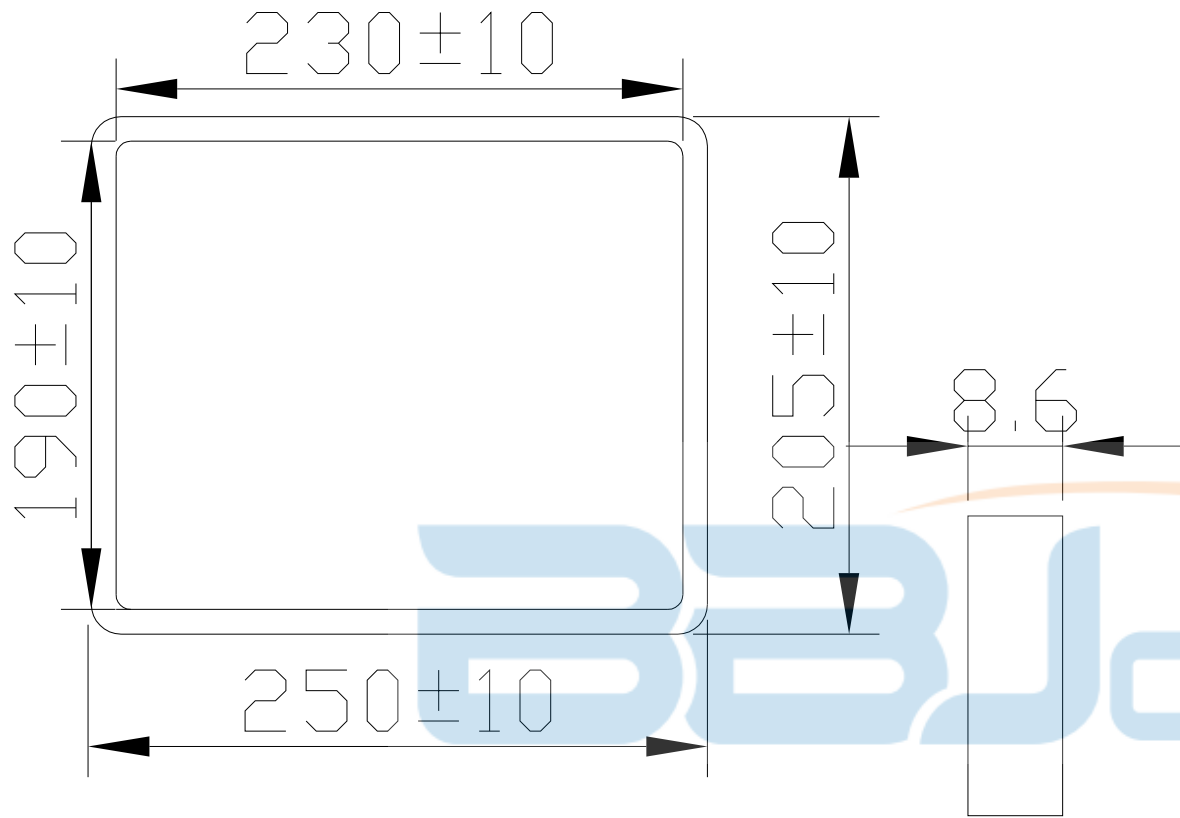
.0	±0.35
.00	±0.25
.000	±0.15
X.°	±2.00°

CUSTOMER DRAWING

**深圳市步步精科技有限公司**

TITLE: TYPE-C 6P 防水母座 直立式 H=10.50 端子DIP 带防水圈 IPX7 (USBC-0056IPX7-00)

DRAWN/ DATE	设计 LHC	SIZE:A4	UNIT:MM.	PART. NO: 126-225-060002-N6G
CHECKED/ DATE	审核 LYX	SCALE: 1:1	PROJECTION	REV.: 版本
APPROVED/ DATE	核准 LJP	DWG. PATH	0514-1	SHEET: 页码



纸箱规格：350\*210\*290

1. 包装要求:

- 1.1 每盒吸塑盒包装100pcs;
- 1.2 每20盘放一箱，共计2000PCS;
- 1.3 纸箱外贴上标签



TOLERANCE UNSPECIFIED		深圳市步步精科技有限公司 TITLE: TYPE-C 6P 防水母座 直立式 H=10.50 端子DIP 带防水圈 IPX7 (USBC-0056IPX7-00)						
.0	±0.35							
.00	±0.25	DRAWN/	设计	LHC	SIZE:A4	UNIT:MM.	PART. NO:	126-225-060002-N6G
.000	±0.15	DATE						
X.°	±2.00°	CHECKED/	审核	LYX	SCALE: 1:1	PROJECTION		REV.: 版本
CUSTOMER DRAWING		DATE						
		APPROVED/	核准	LJP	DWG. PATH		0514-1	SHEET: 页码
		DATE						