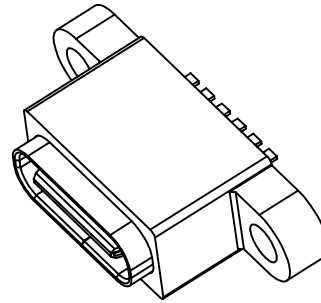
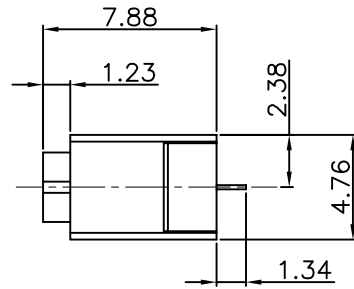
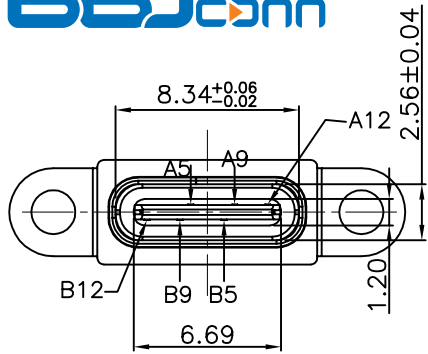


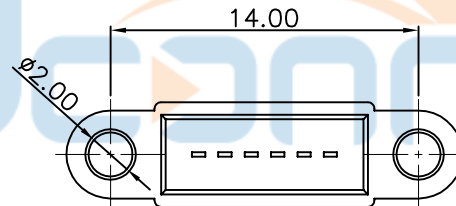
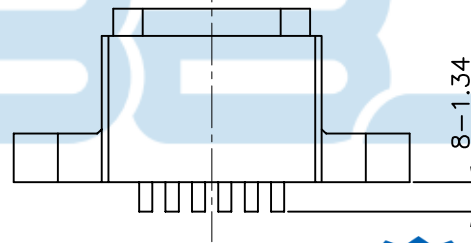
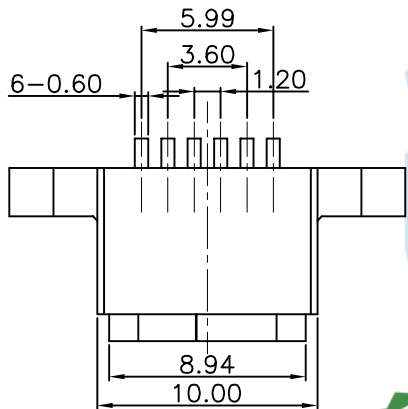
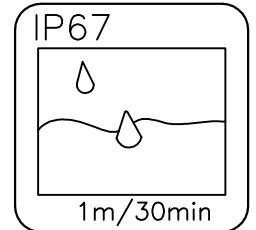


REV.	DESCRIPTION	NAME	DATE
A	NEWS ISSUE		



SPECIFICATION:

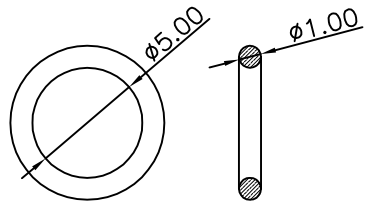
- CURRENT RATING: 3.0A MAX
- DIELECTRIC WITHSTAND VOLTAGE: 100VAC
- TEMPERATURE RANGE: -30 °C ~ 85 °C
- CONTACT RESISTANCE: 40 MILLIONHM MAX
- INSULATION RESISTANCE: 100 MEGOHMS MIN.
- INSERTION FORCE : 5N~20N
- UNMATING FORCE: 8N~20N
- DURABILITY:10,000 CYCLES
- WATER PROOFNESS:THIS PRODUCT IS BASED ON IPX8.



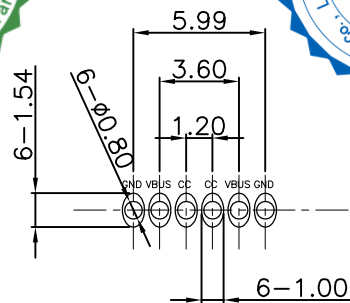
A5	CC1	B12	GND
A9	VBUS	B9	VBUS
A12	GND	B5	CC2
PIN	SIGNAL NAME	PIN	SIGNAL NAME



5	Shell2	1	SUS301 Ni Plating T=0.20mm	Ni:40~120u";
4	Shell1	1	SUS301 Ni Plating T=0.25mm	Ni:40~120u";
3	Housing2	1	PA10T(G.F30%)	
2	Contact	5	Phosphor bronze C5210R-EH Au/Ni Plating T=0.20mm	Ni:40~160u"; Au:CONTACT AREA:3u", OTHER AREA:G/F
1	Housing	1	PA10T (G.F30%)	
ITEM	PART NAME	Q' TY	FINISH	NOTE



注:防水圈是圆形截面,直径为1.0mm的硅胶圈,防水圈挤压量,由1.0mm挤压到0.5mm ~ 0.6mm,防水效果好



Recommended P.C.B. Layout
Unspecified tolerance: ±0.05
(Top view)

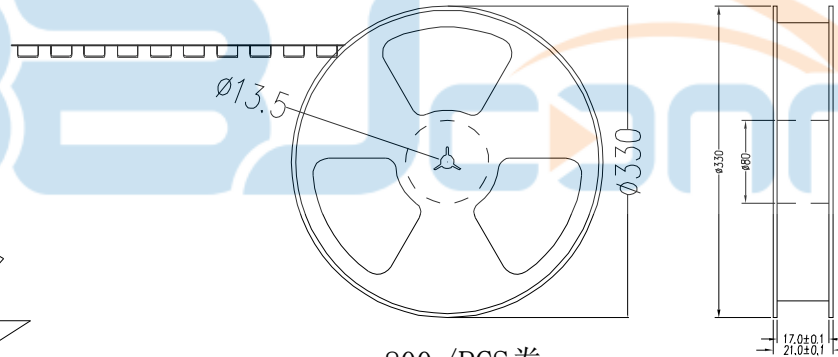
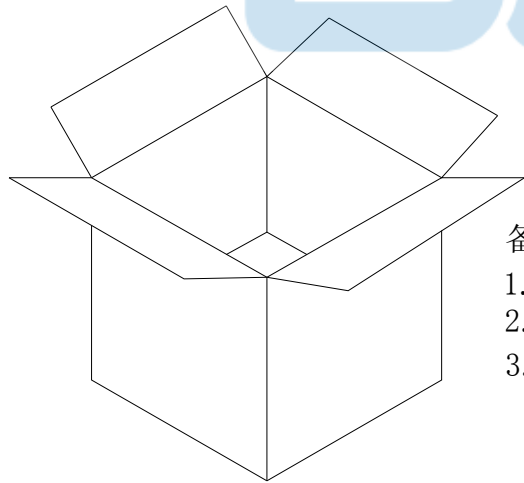
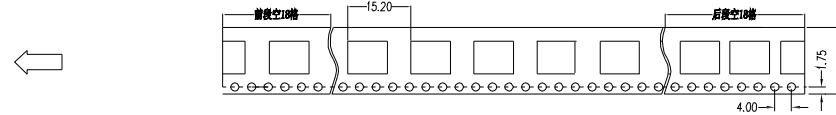
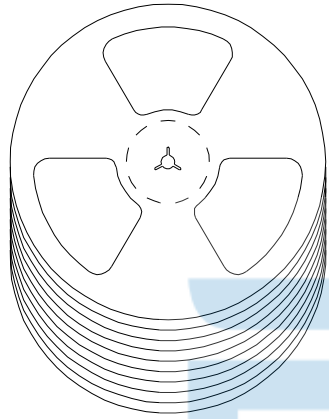
深圳市步步精科技有限公司

TITLE: TYPE-C 6P 直立式 防水母座 H=7.88
带耳 端子DIP IPX8 (USBC-0038IPX8-00)

DRAWN/ DATE	设计 LHC	SIZE:A4	UNIT:MM.	PART. NO: 126-225-060004-N6G
CHECKED/ DATE	审核 LYX	SCALE: 1:1	PROJECTION	REV.: 版本
APPROVED/ DATE	核准 LJP	DWG. PATH	0514-1	SHEET: 页码



REV.	DESCRIPTION	NAME	DATE
A	NEWS ISSUE		



800 /PCS卷



备注:

1. 包装数量: 800 /PCS/卷, 10卷/箱或15卷/箱。
2. 包装袋长度: 每卷前后各空10-20个空格, 中间包装。

3. 材质:

载体: 聚丙烯 (PS), 阻抗 $10^{6-9} \Omega$

上带: 聚乙烯 (PET), 阻抗 $10^{6-11} \Omega$

卷盘: 聚苯乙烯。

纸箱规格: 345*345*23MM

纸箱规格: 345*345*35MM

TOLERANCE UNSPECIFIED		深圳市步步精科技有限公司			
.0	±0.35	TITLE: TYPE-C 6P 直立式 防水母座 H=7.88 带耳 端子DIP IPX8 (USBC-0038IPX8-00)			
.00	±0.25				
.000	±0.15				
X.°	±2.00°				
CUSTOMER DRAWING					
DRAWN/ DATE	设计 LJR	SIZE:A4	UNIT:MM.	PART. NO: 126-225-060004-N6G	
CHECKED/ DATE	审核 LYX	SCALE: 1:1		PROJECTION	REV.: 版本
APPROVED/ DATE	核准 LJP	DWG. PATH	0514-1		SHEET: 页码